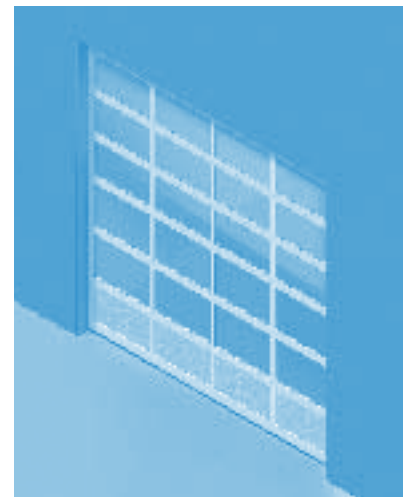
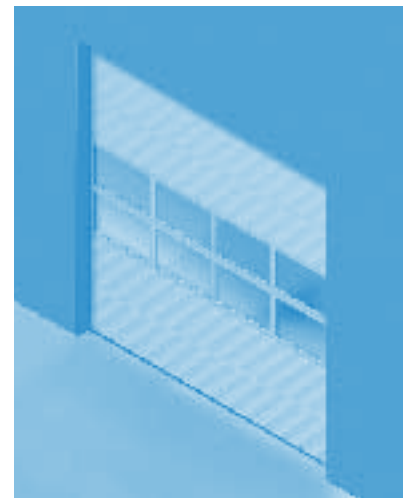
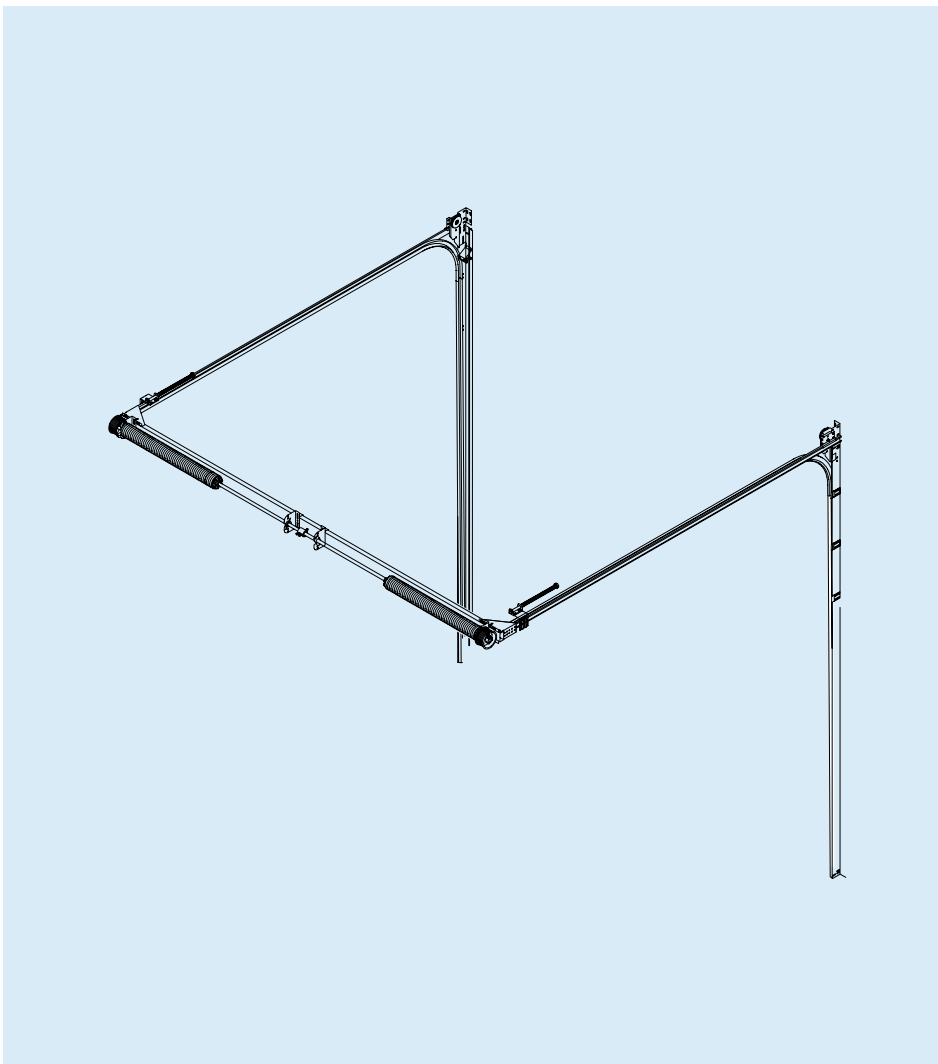
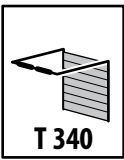


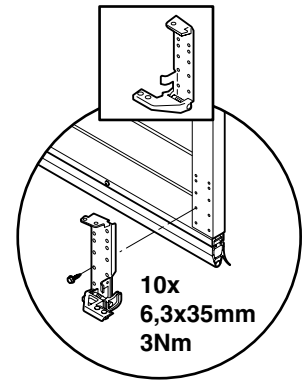
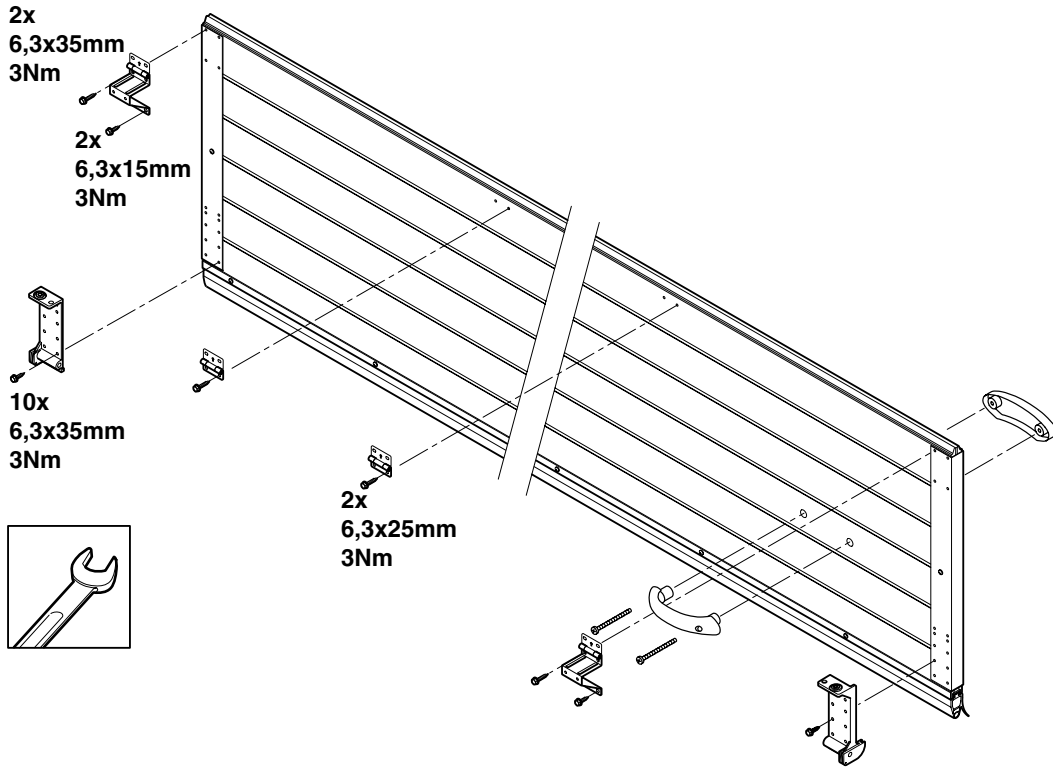
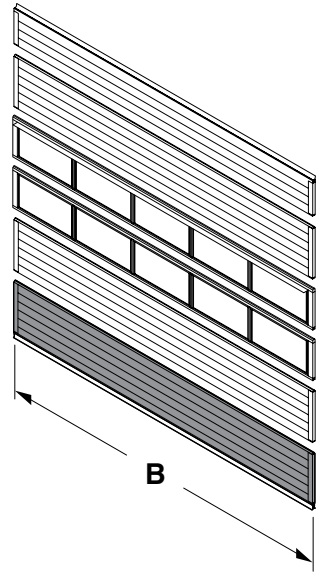
# T 340



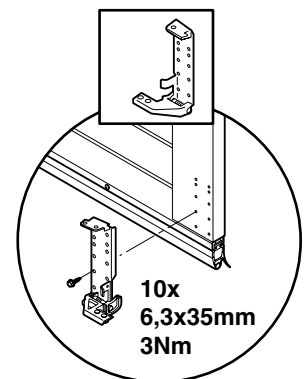
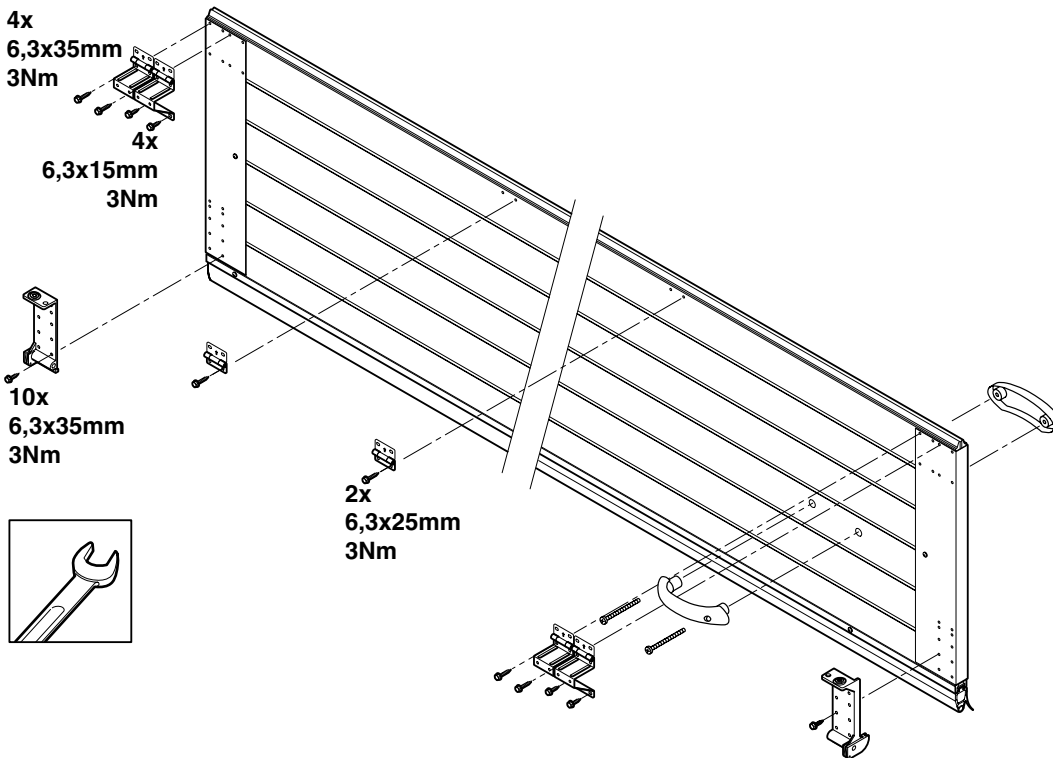


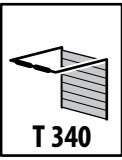
T 340

B < 5000mm

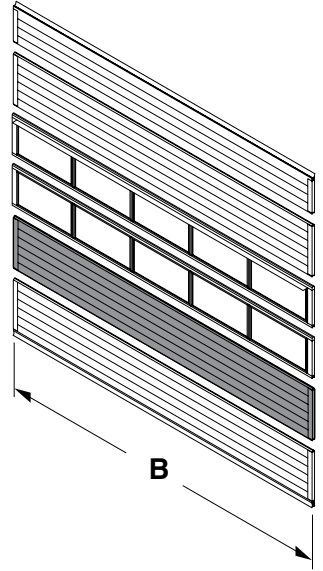


B > 5000mm



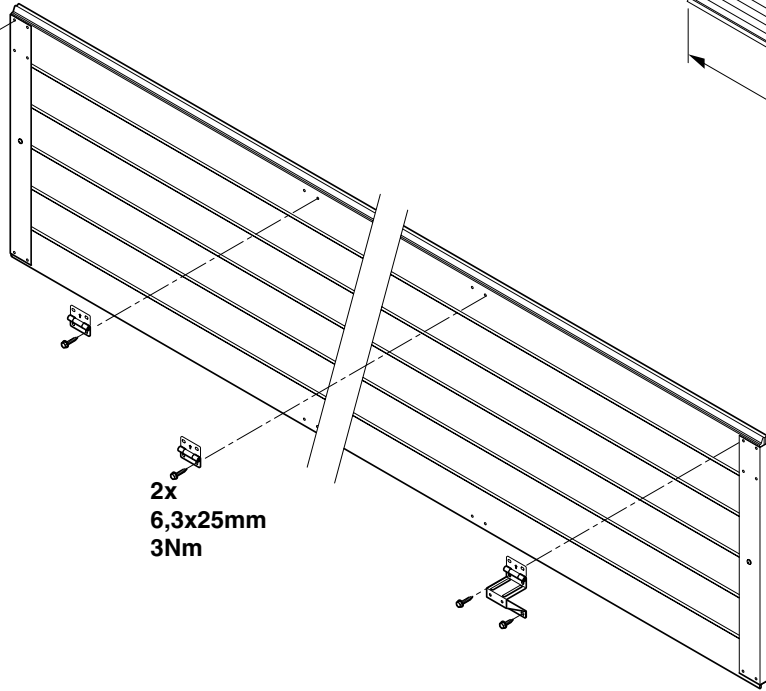
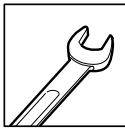


**B < 5000mm**



2x  
6,3x35mm  
3Nm

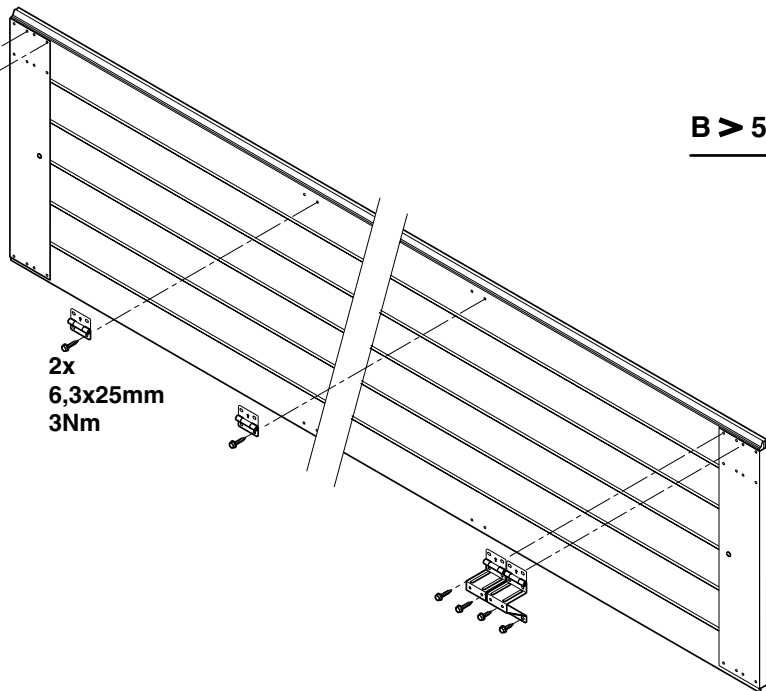
2x  
6,3x15mm  
3Nm



2x  
6,3x25mm  
3Nm

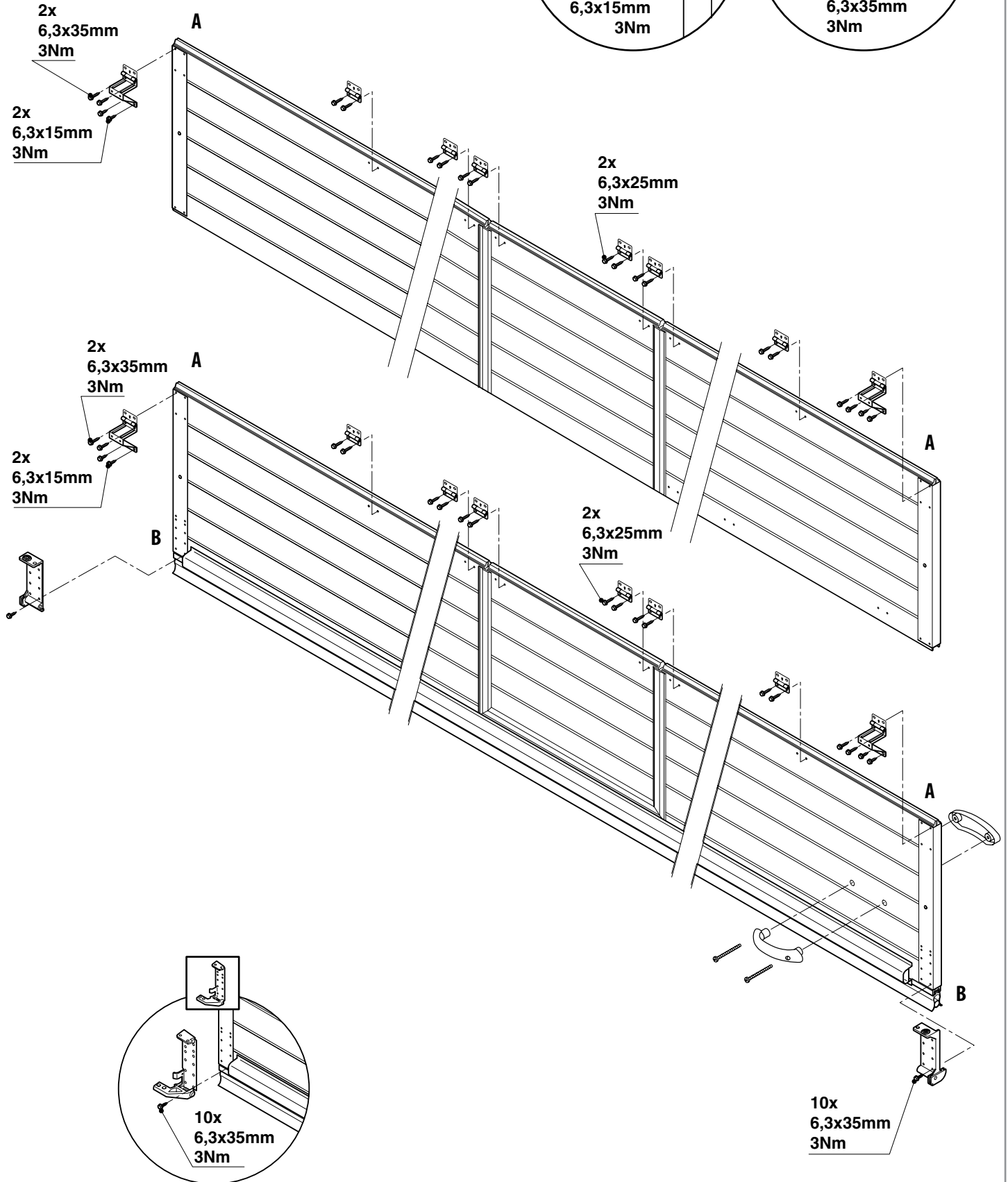
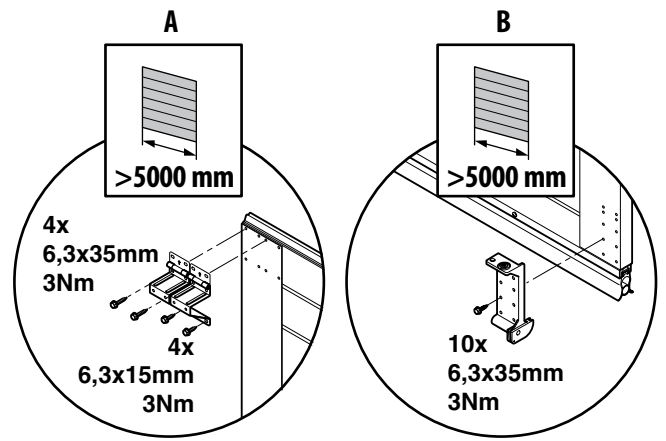
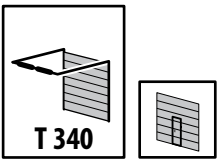
4x  
6,3x35mm  
3Nm

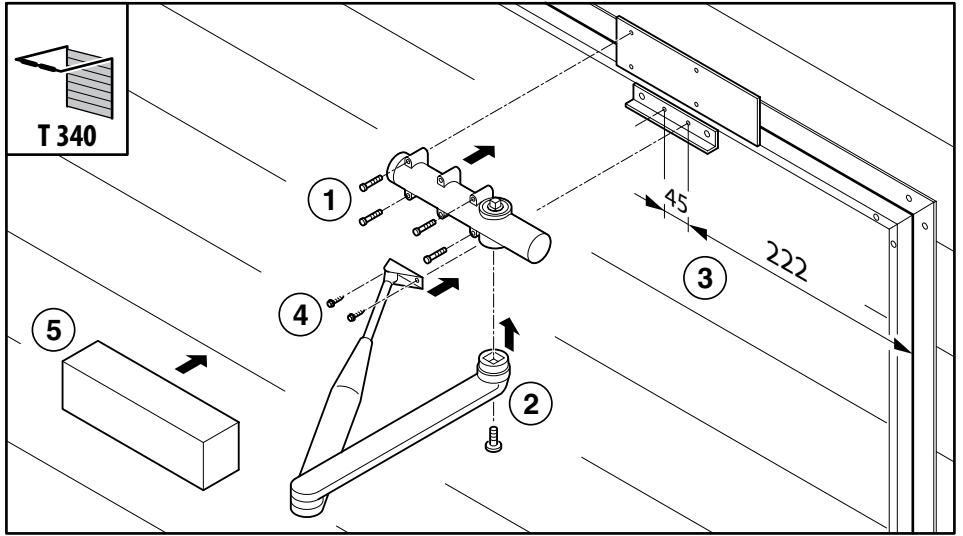
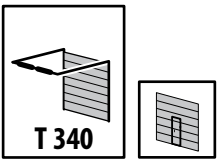
4x  
6,3x15mm  
3Nm



2x  
6,3x25mm  
3Nm

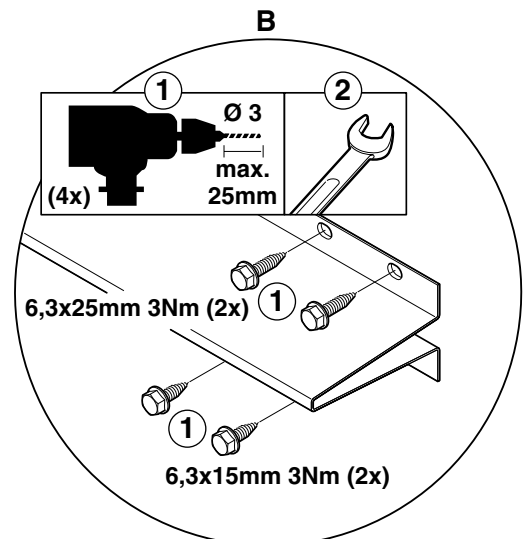
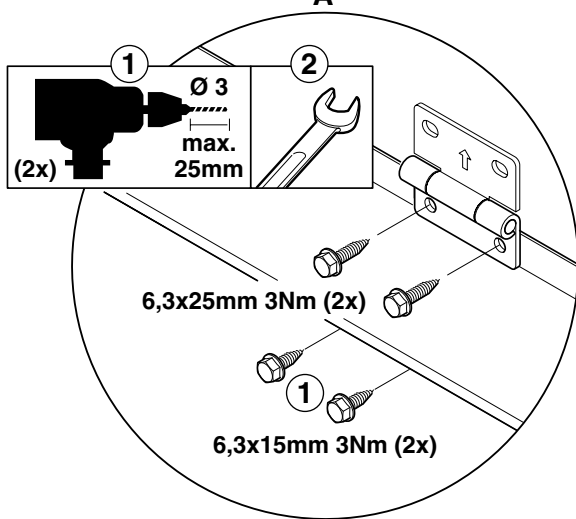
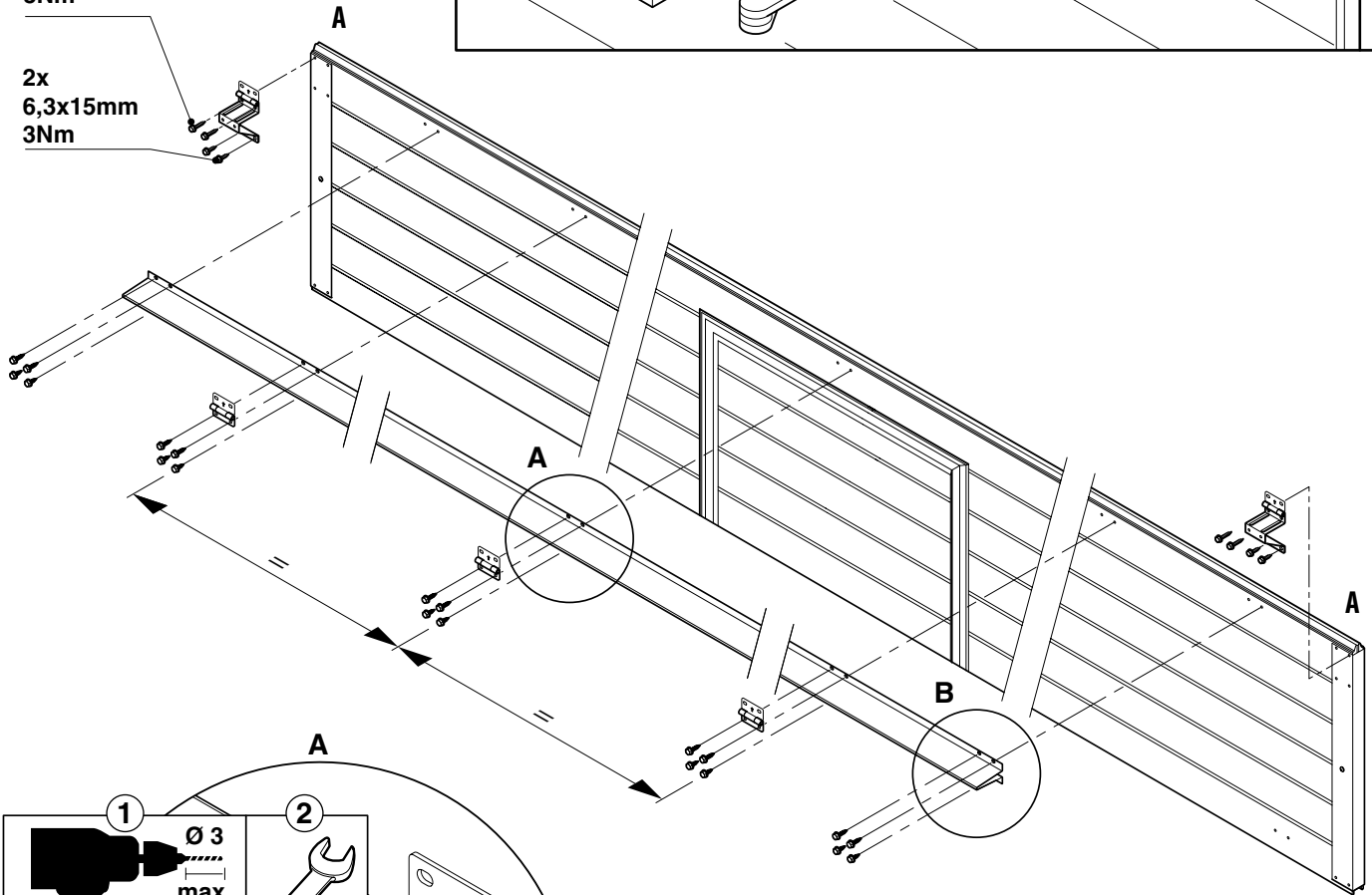
**B > 5000mm**

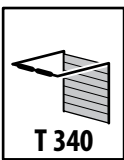




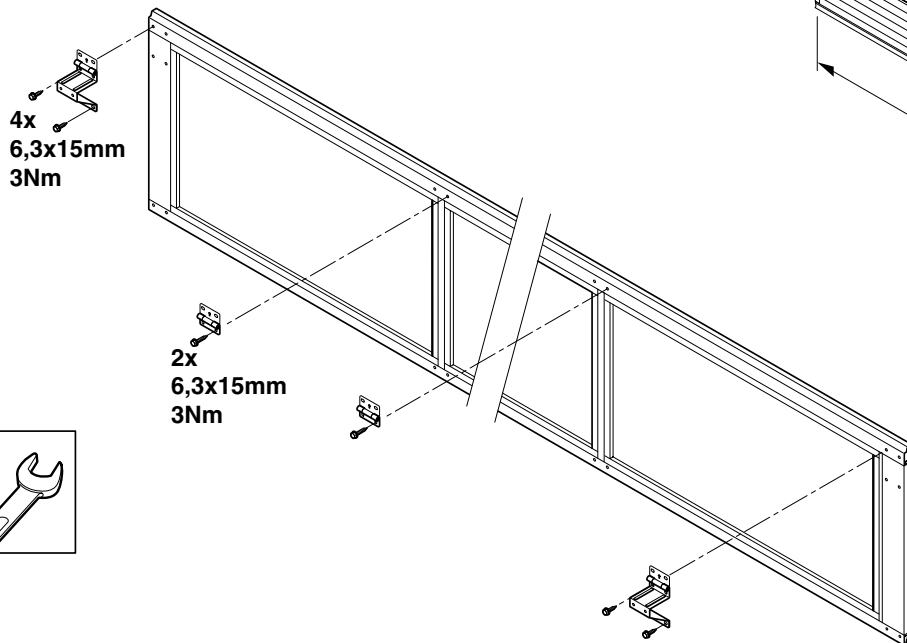
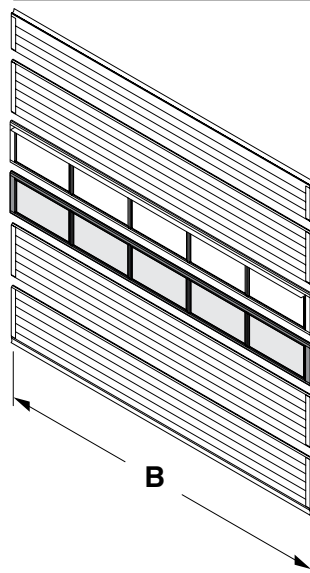
2x  
6,3x35mm  
3Nm

2x  
6,3x15mm  
3Nm

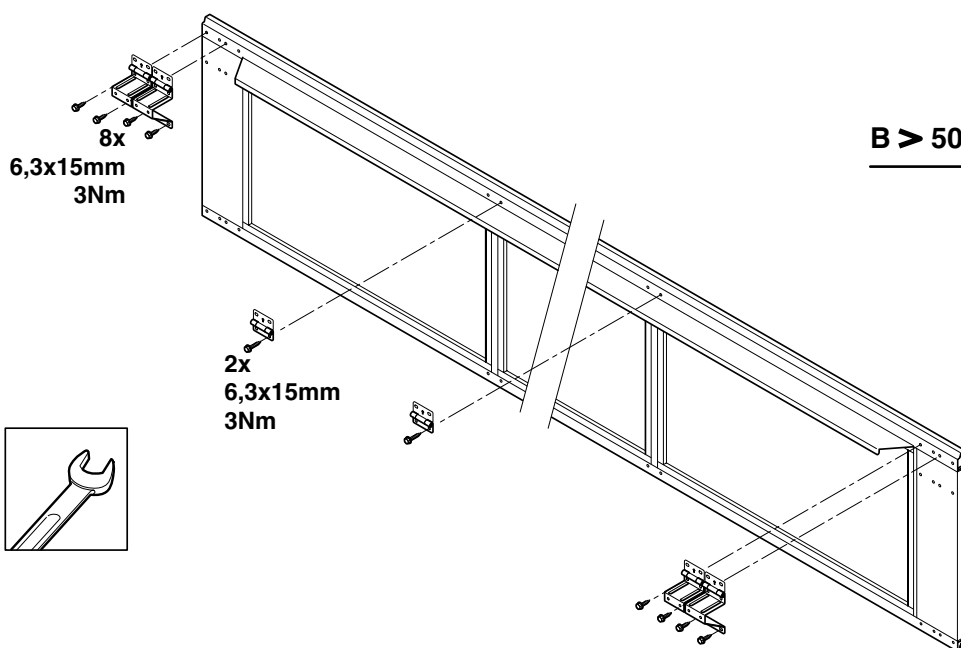


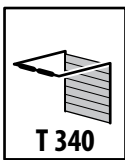


**B < 5000mm**



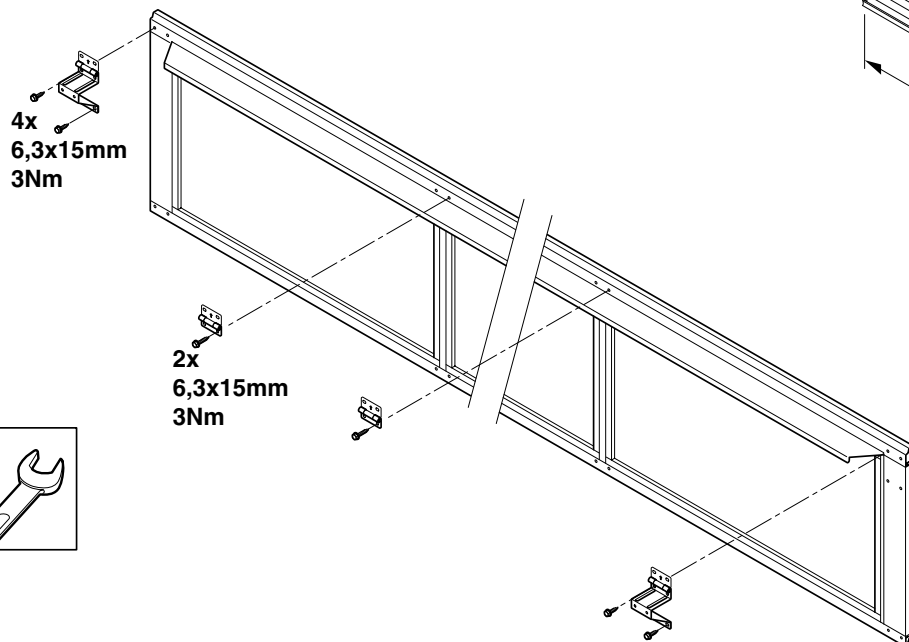
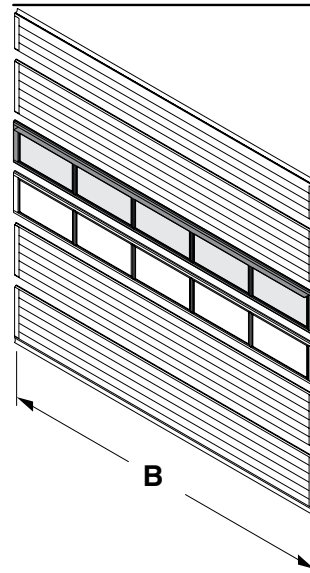
**B > 5000mm**





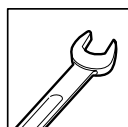
T 340

$B < 5000\text{mm}$

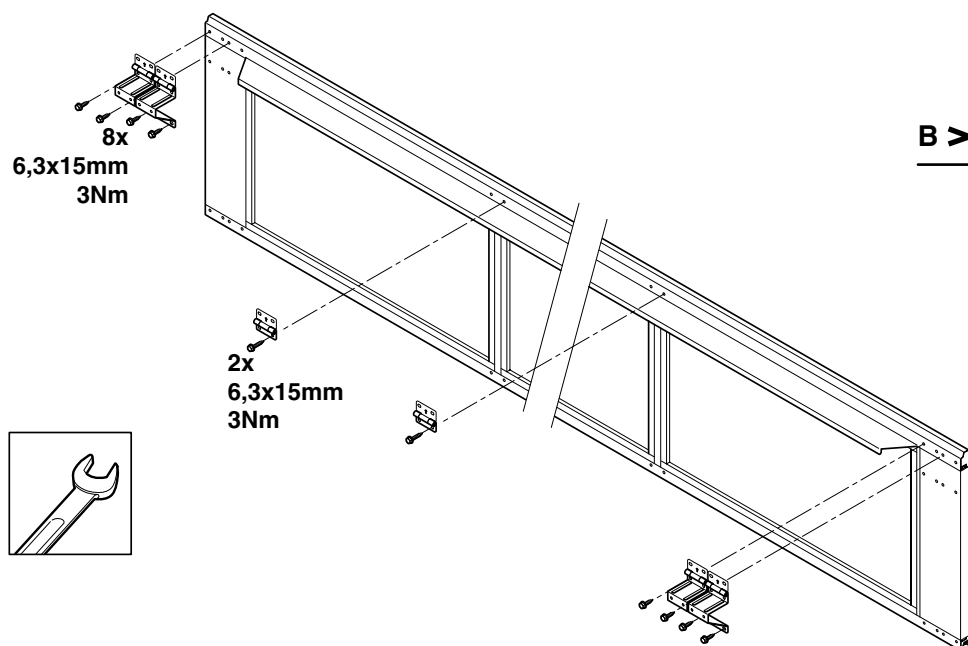


4x  
6,3x15mm  
3Nm

2x  
6,3x15mm  
3Nm



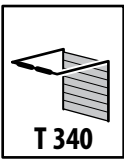
$B > 5000\text{mm}$



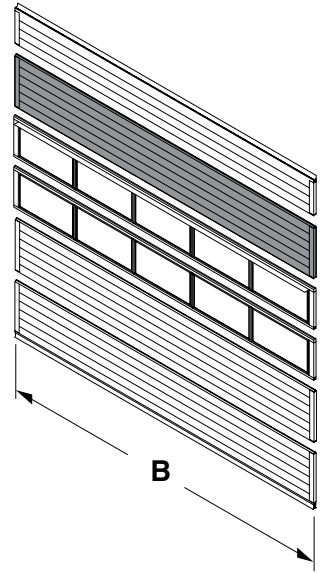
8x  
6,3x15mm  
3Nm

2x  
6,3x15mm  
3Nm





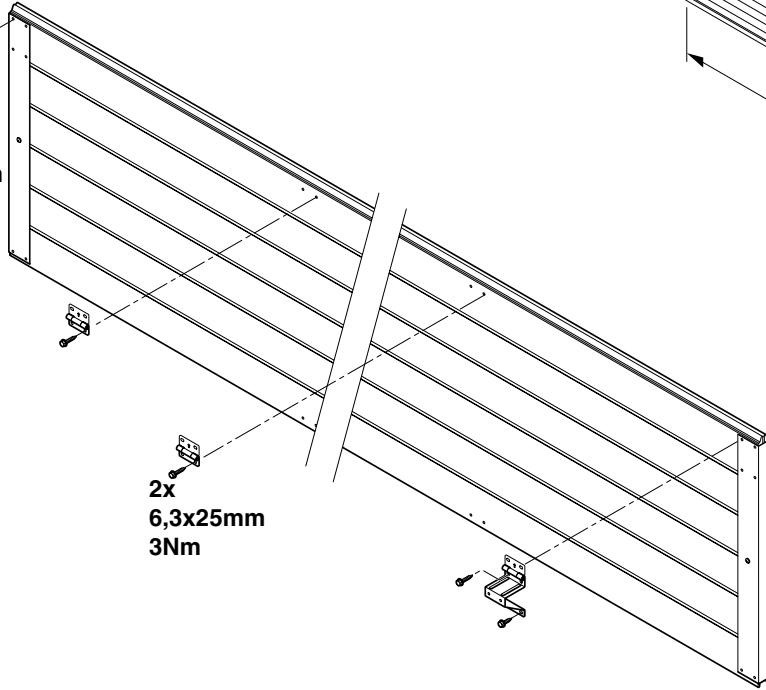
**B < 5000mm**



2x  
6,3x35mm  
3Nm



2x  
6,3x15mm  
3Nm



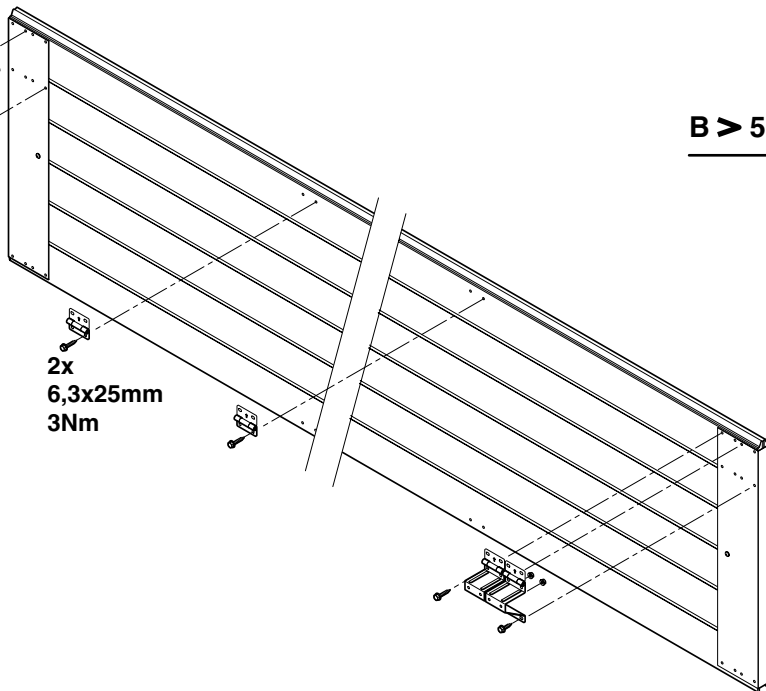
2x  
6,3x25mm  
3Nm



4x  
6,3x35mm  
3Nm



4x  
6,3x15mm  
3Nm

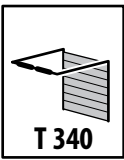


2x  
6,3x25mm  
3Nm

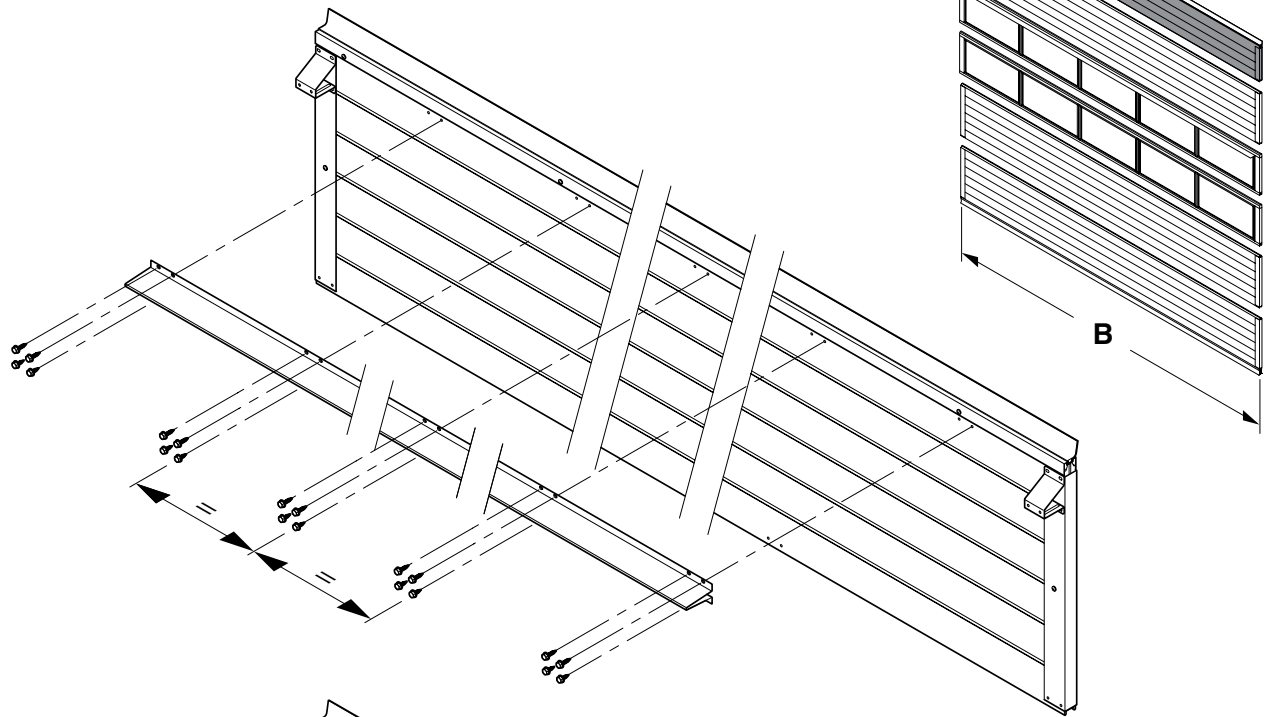


**B > 5000mm**

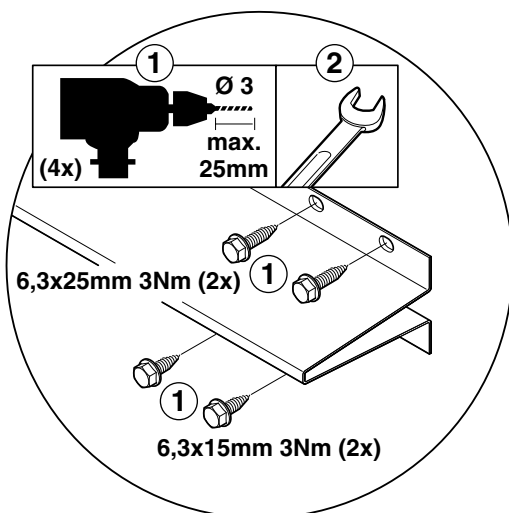
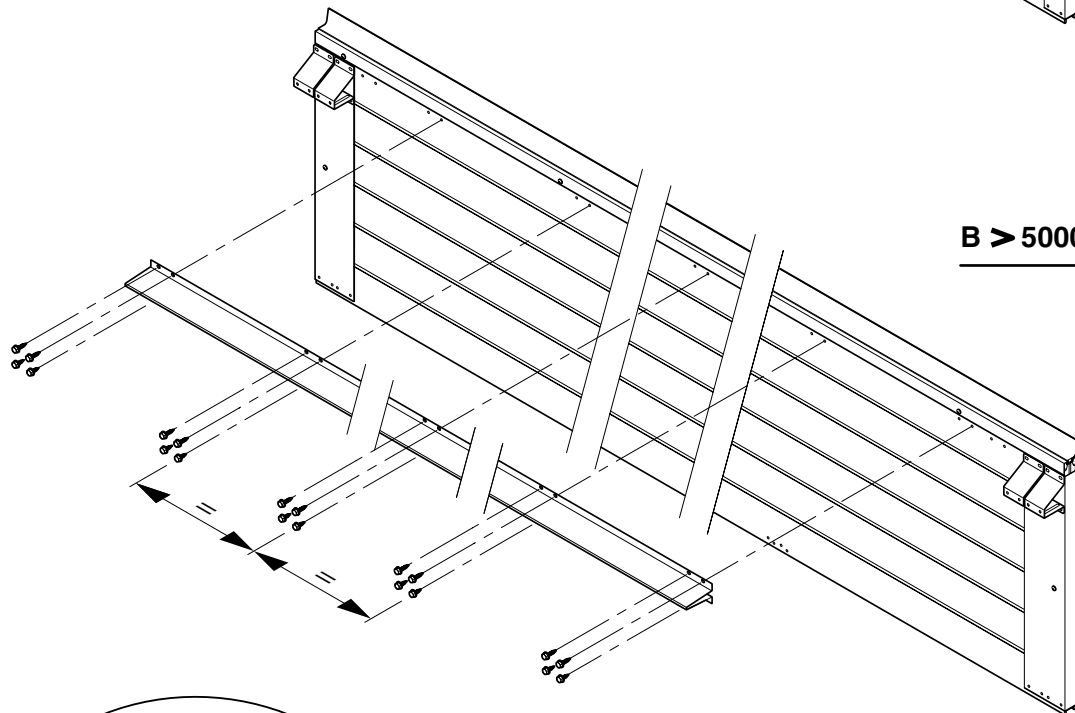


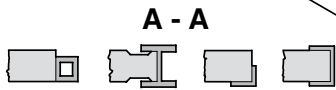
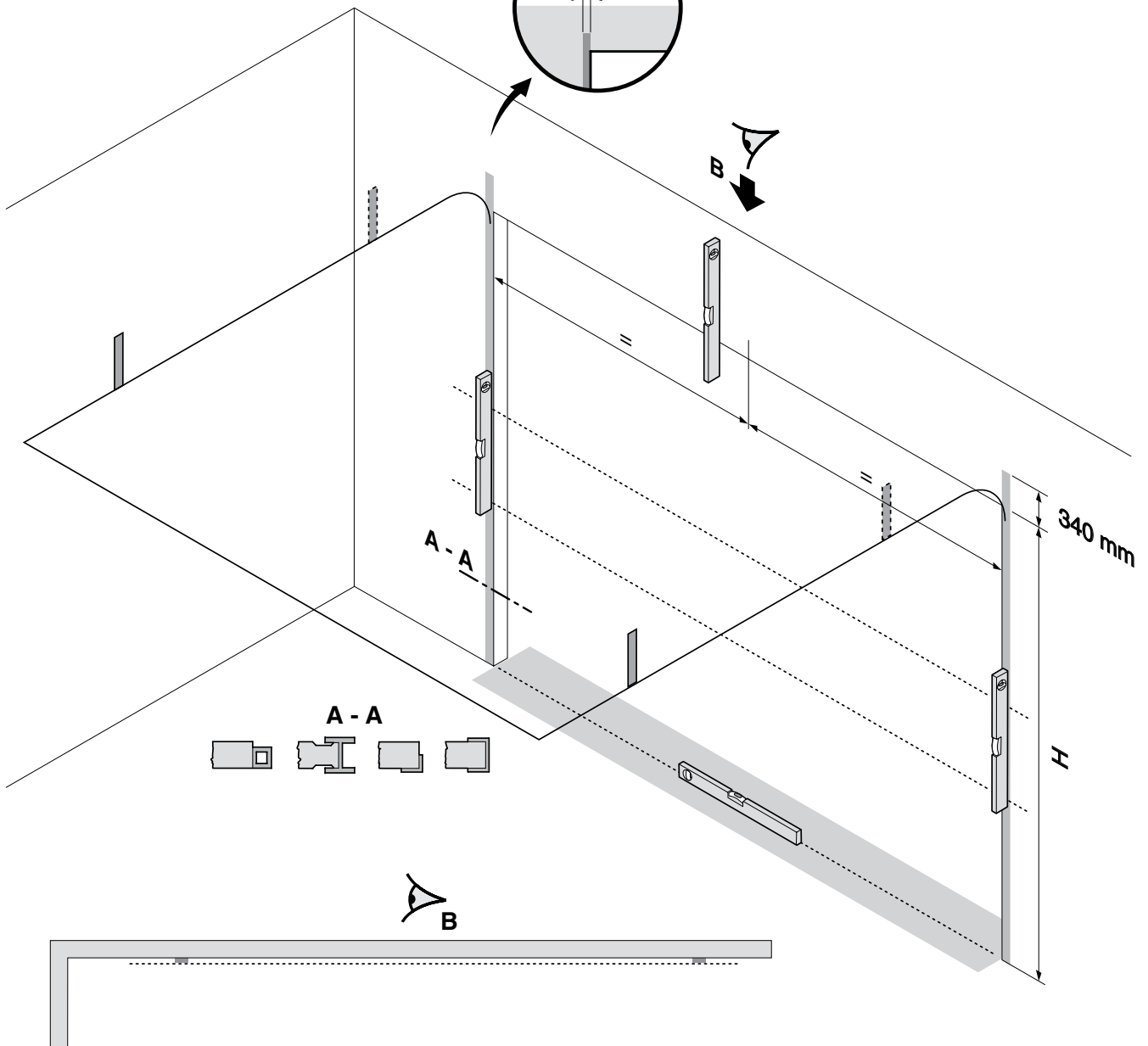
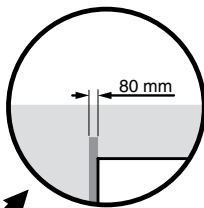
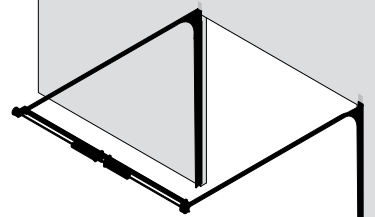
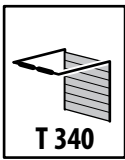


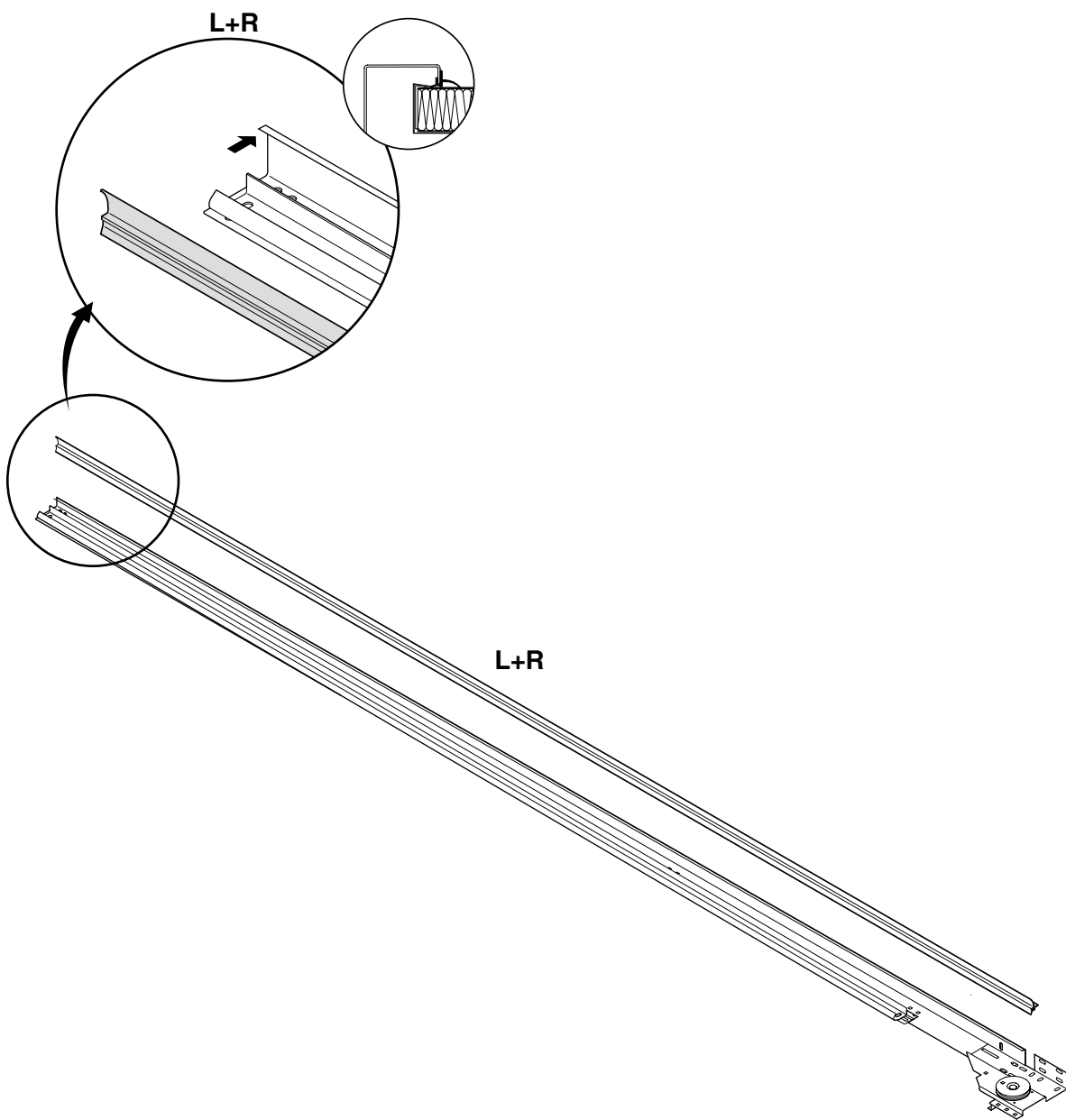
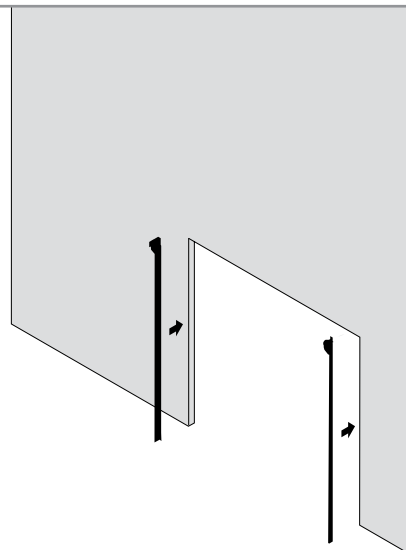
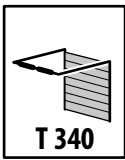
B < 5000mm

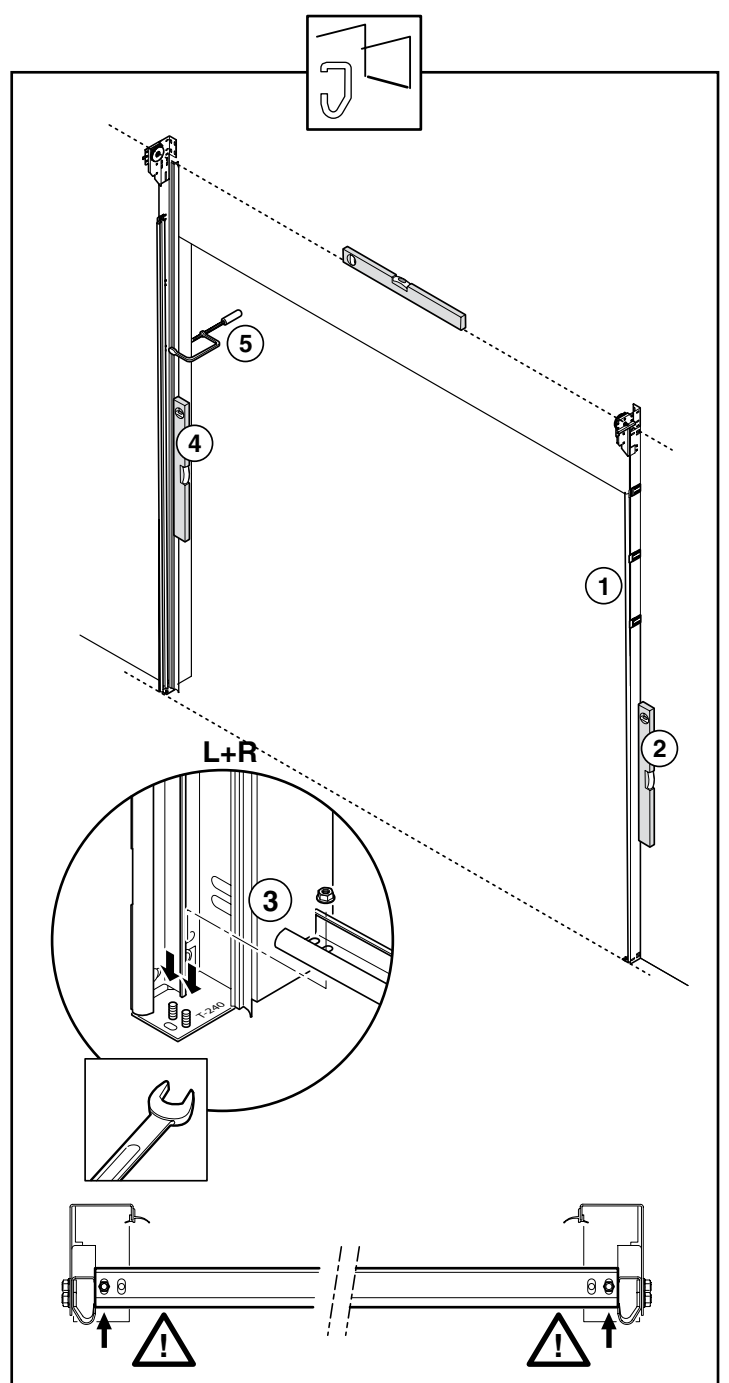
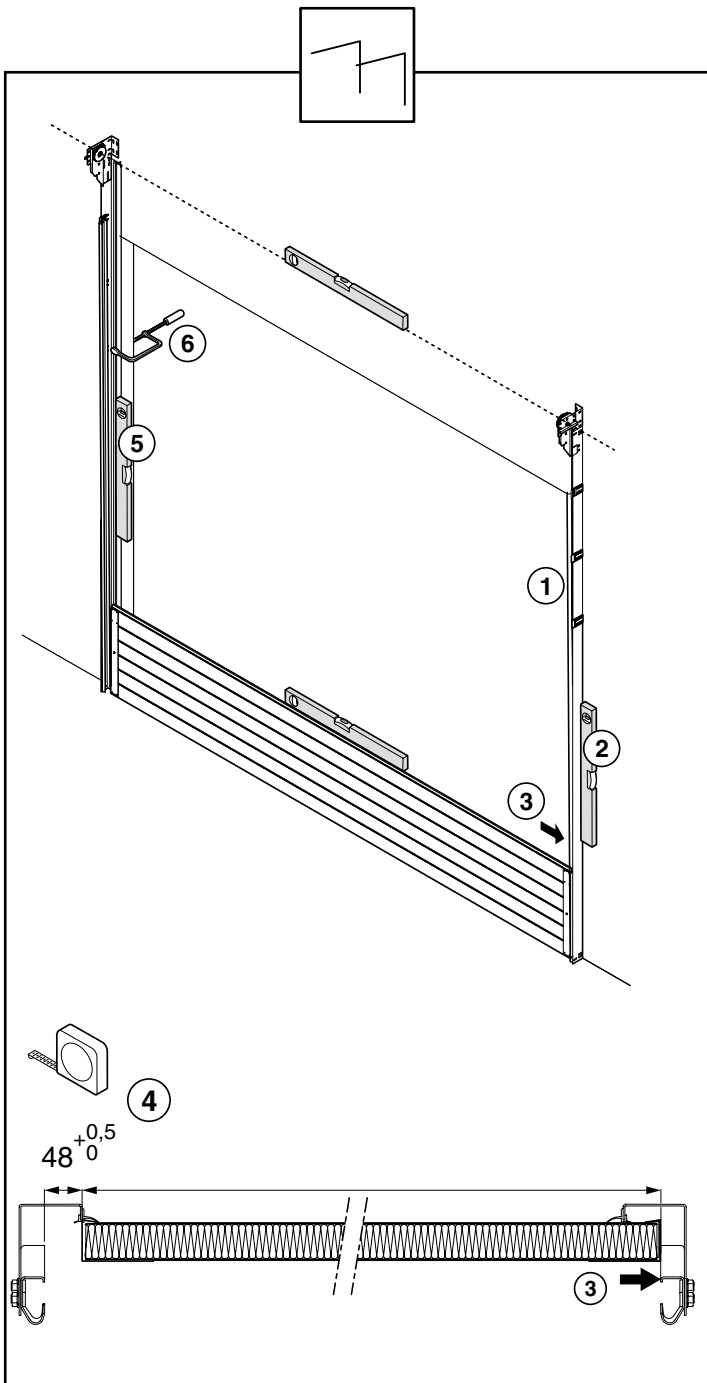
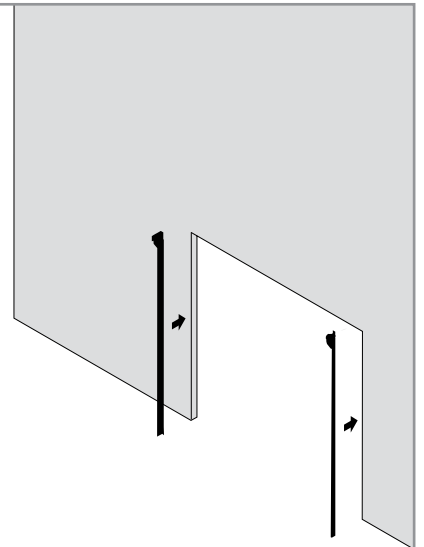
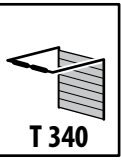


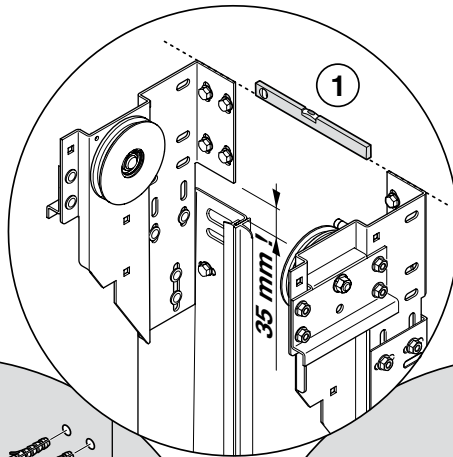
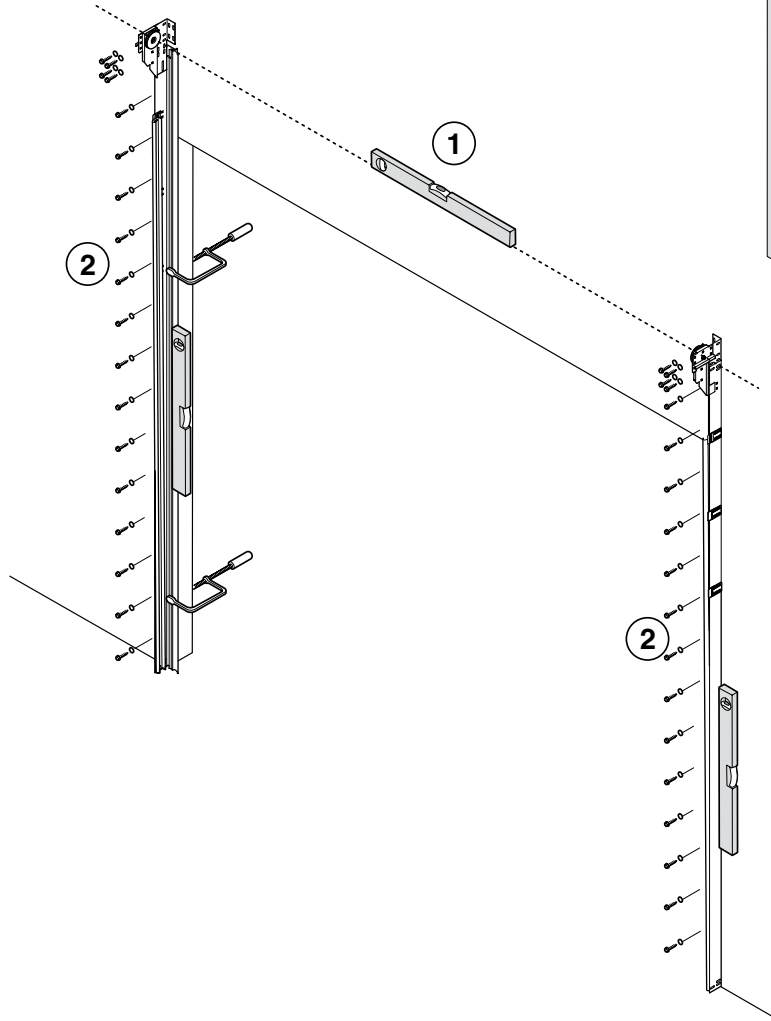
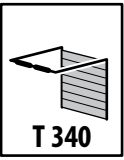
B > 5000mm





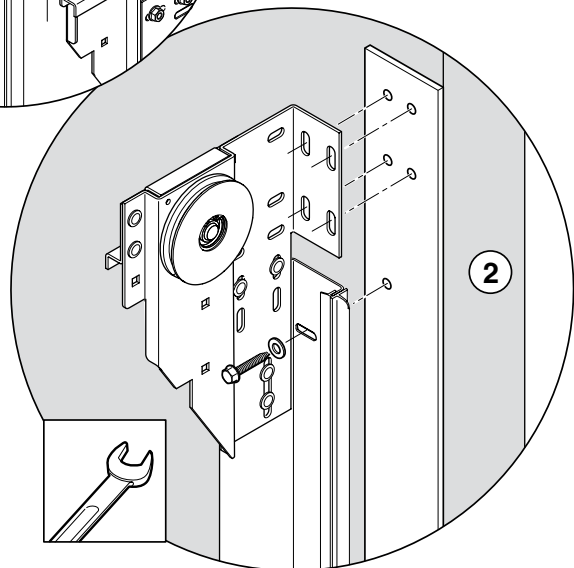
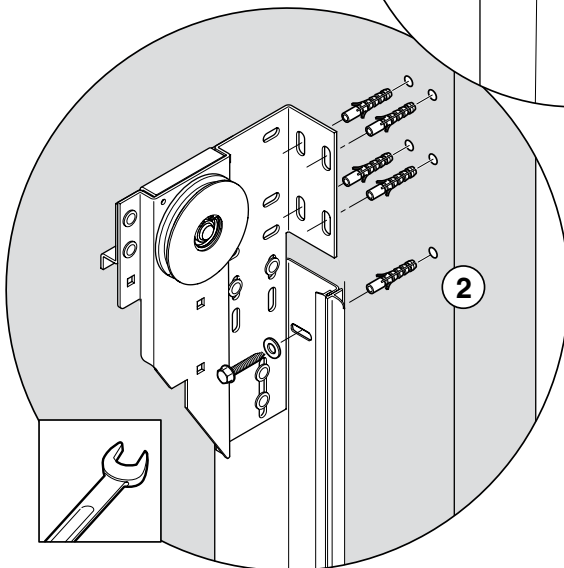


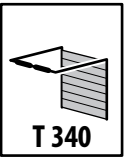




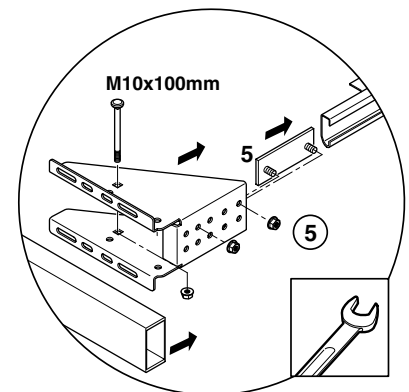
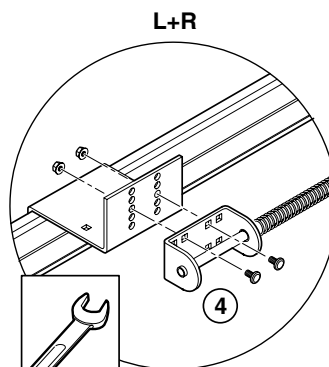
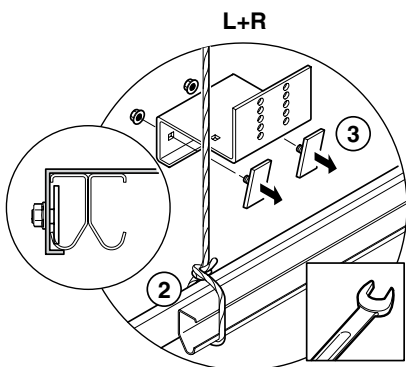
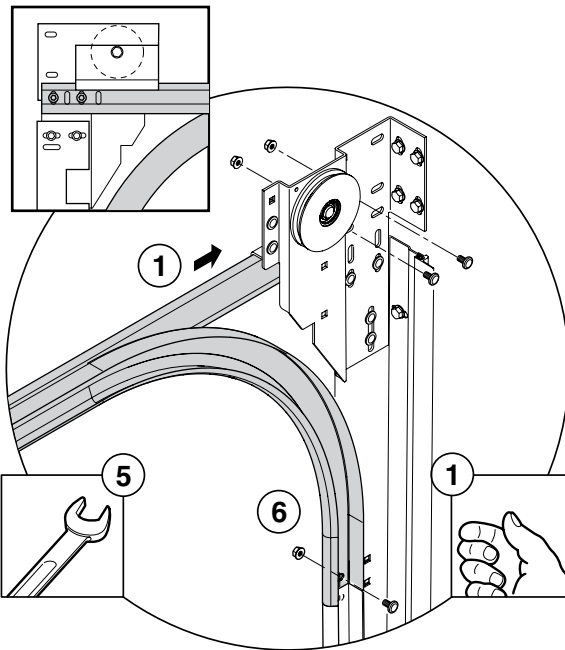
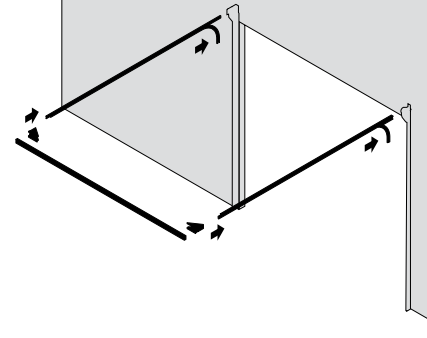
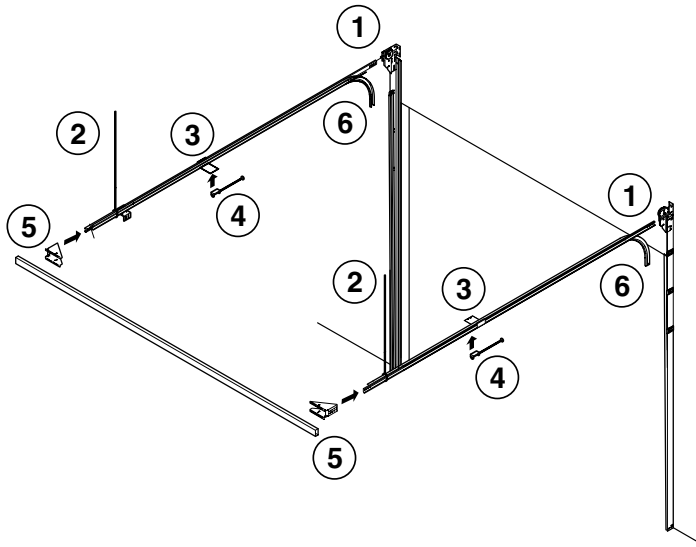
L+R

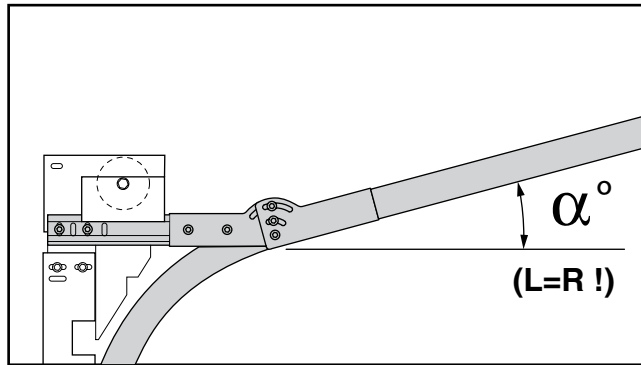
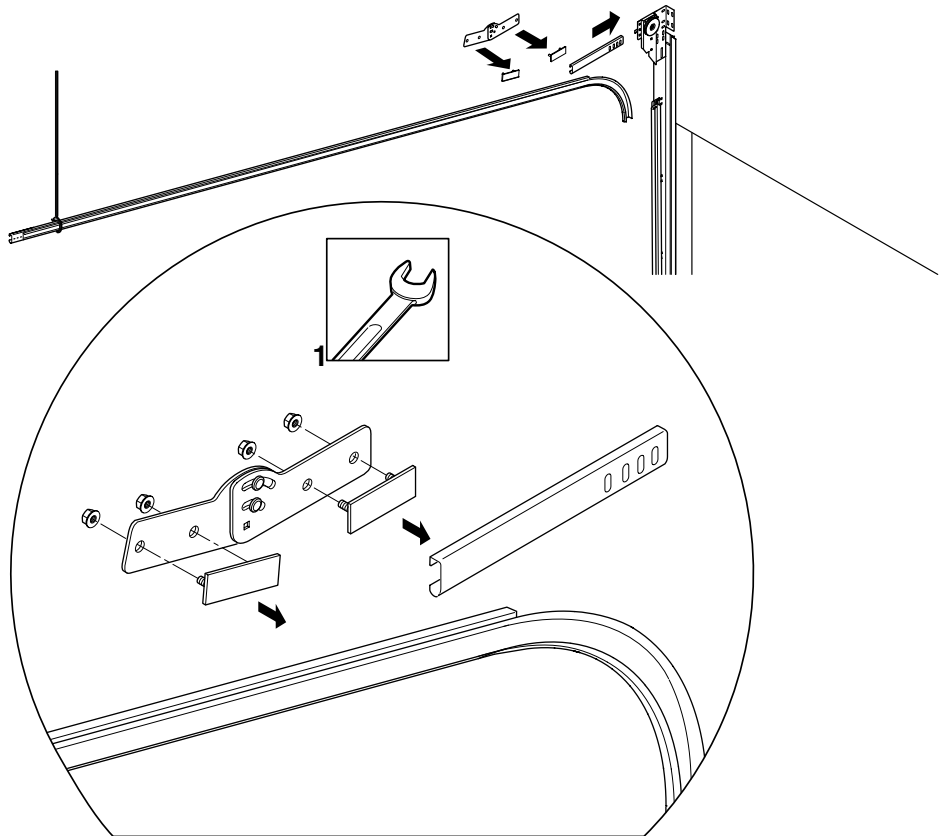
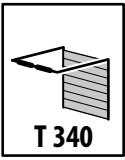
L+R



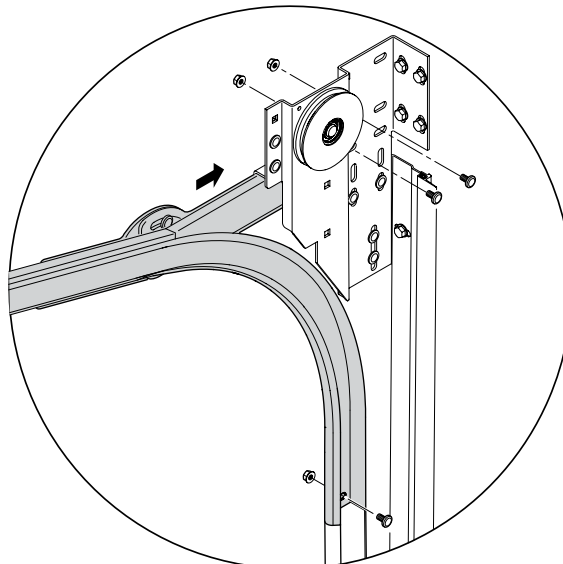


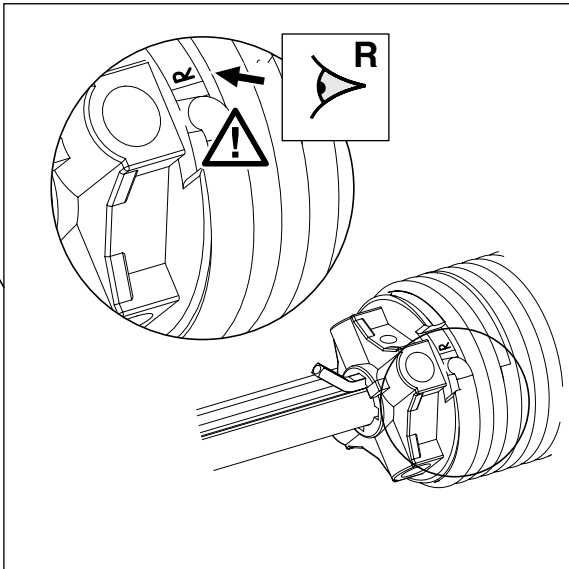
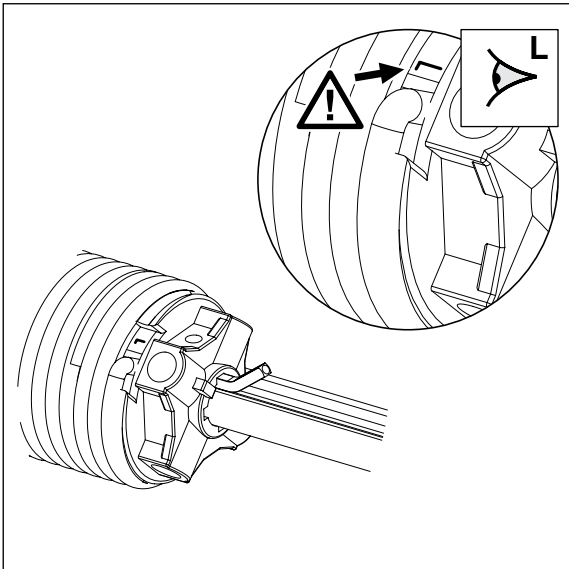
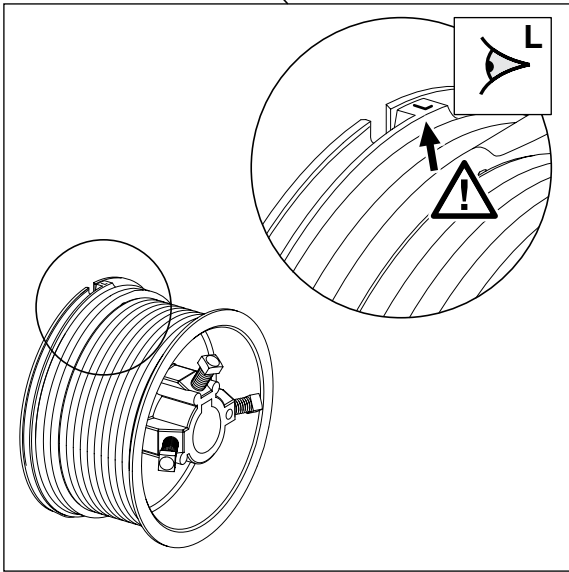
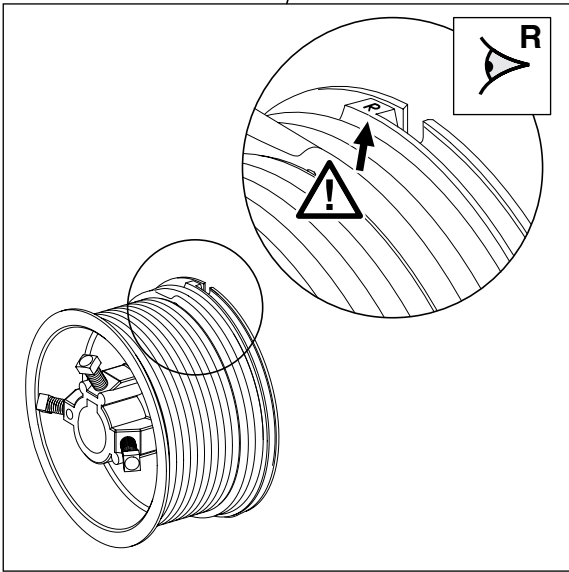
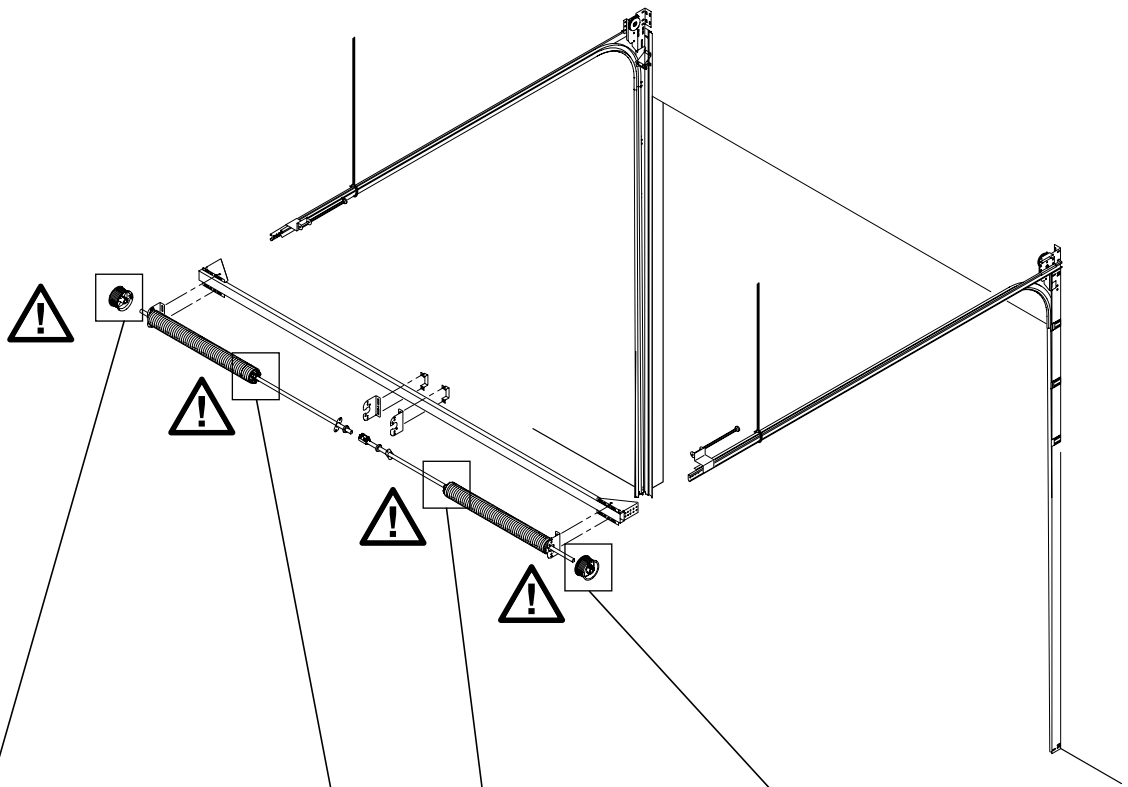
340-03-02



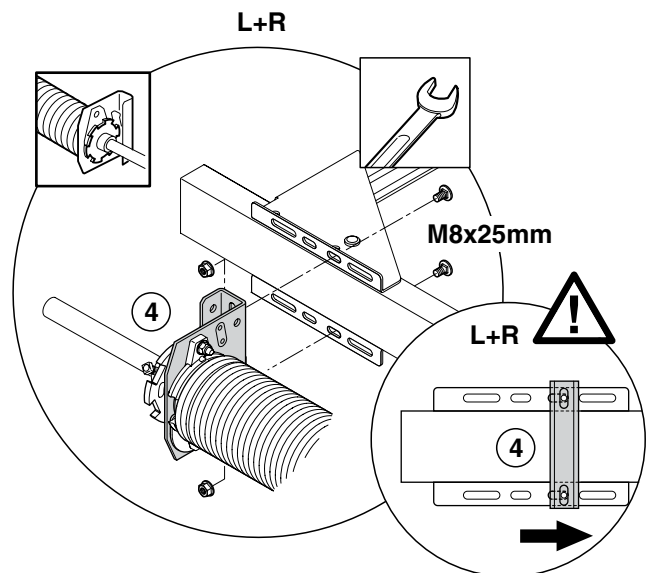
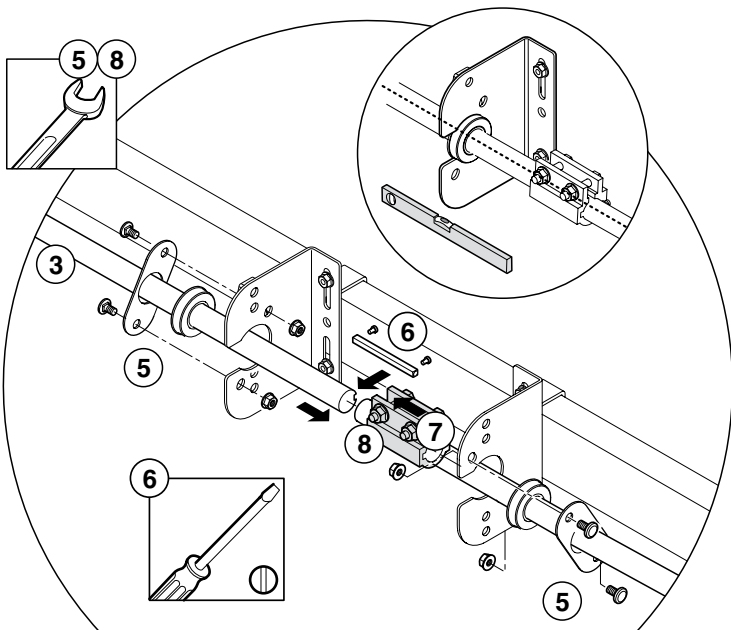
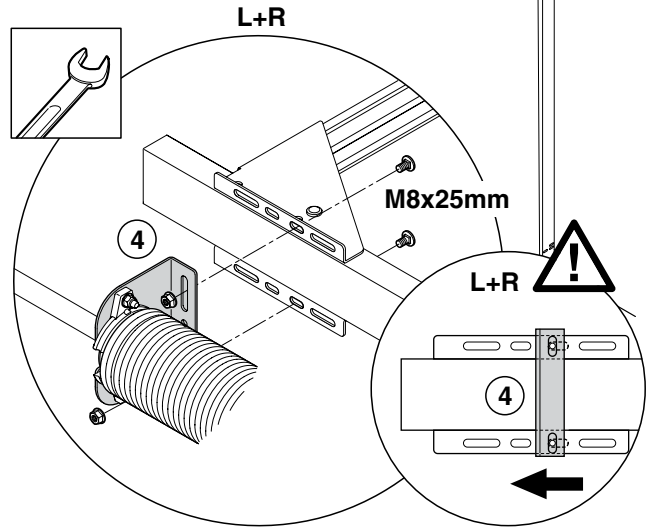
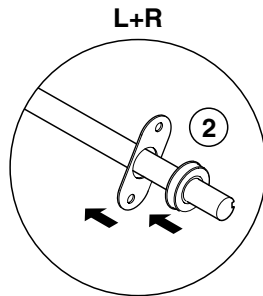
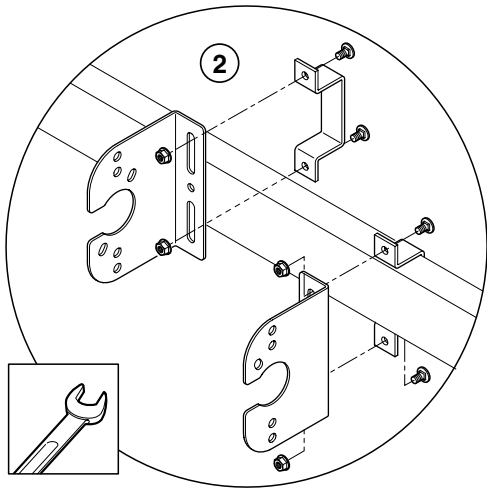
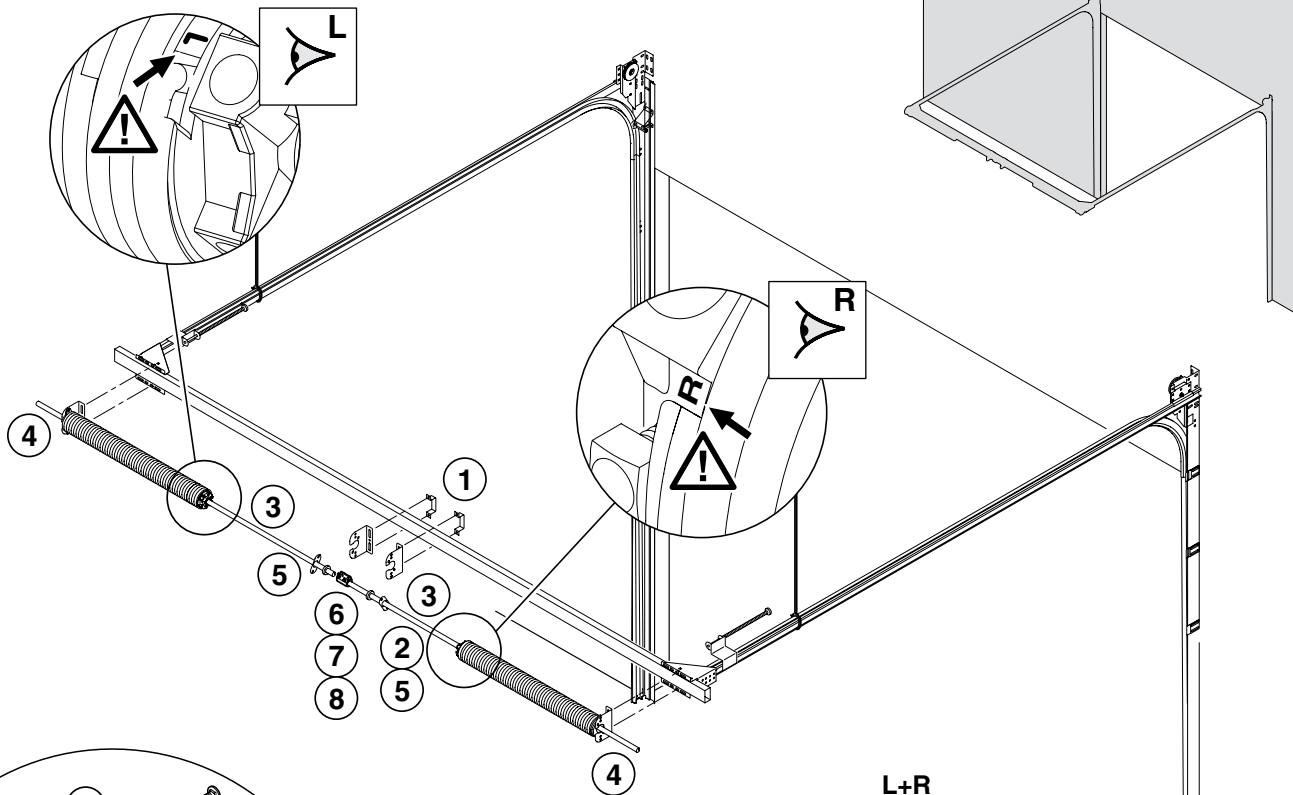


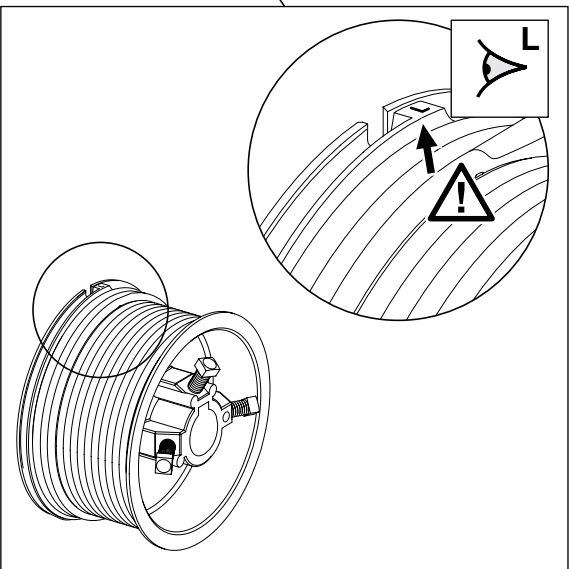
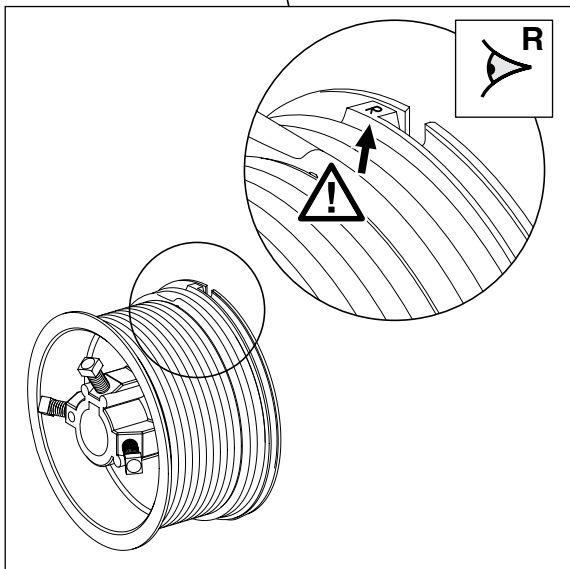
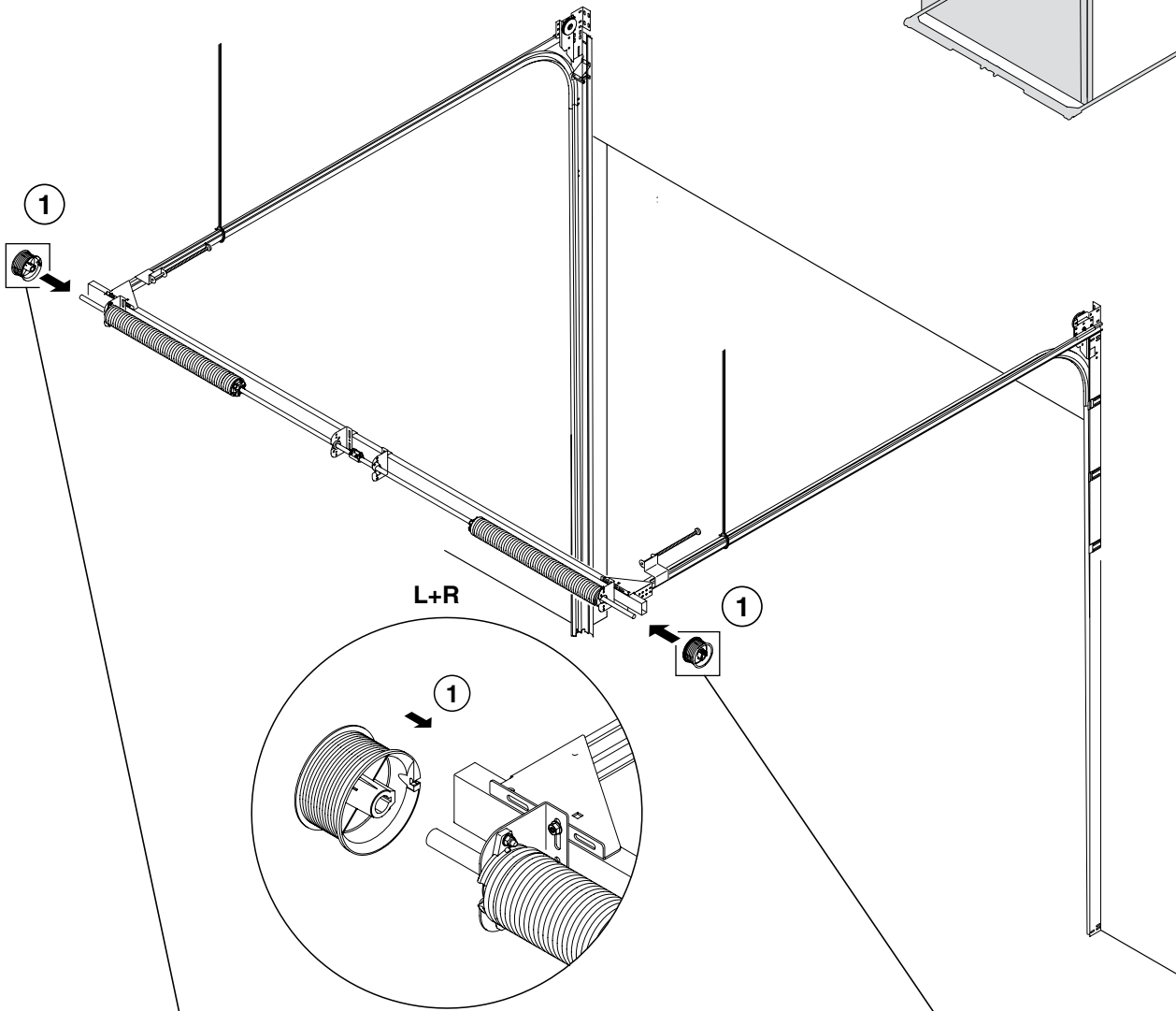
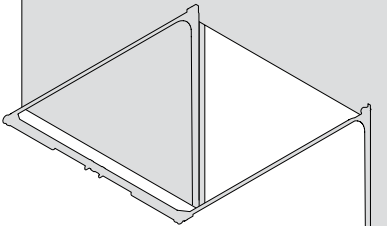
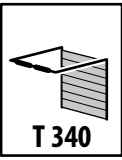
L+R





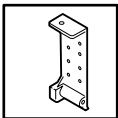
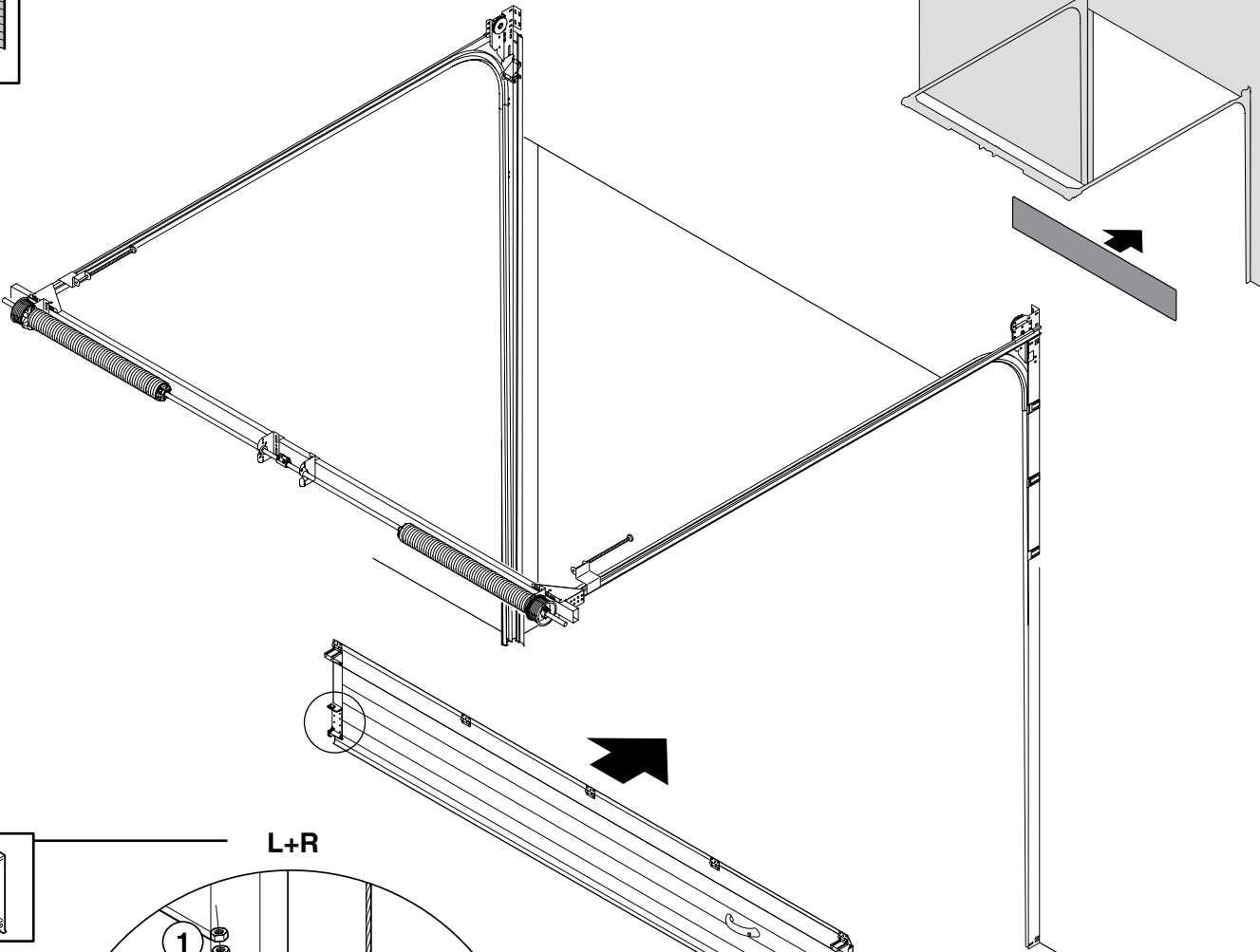




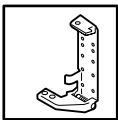
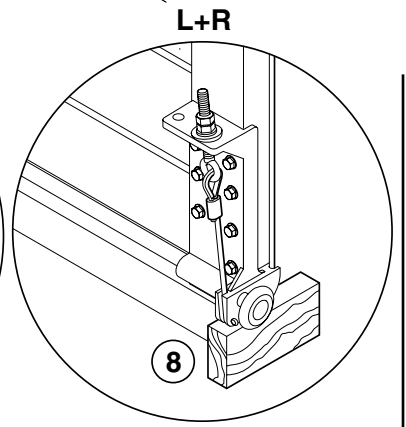
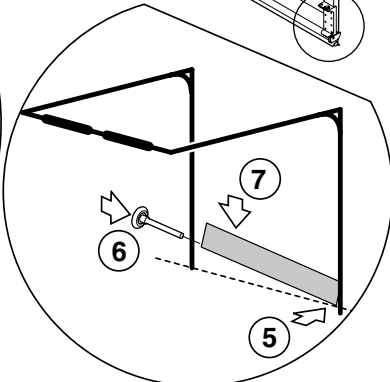
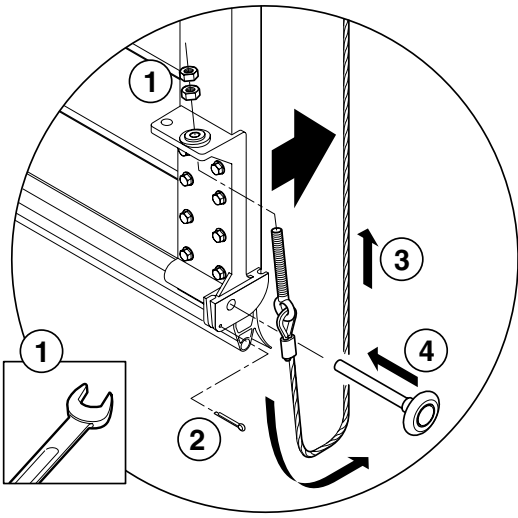




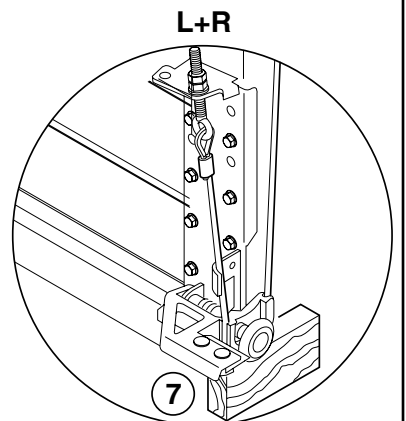
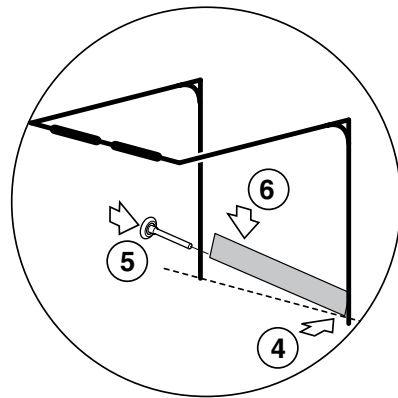
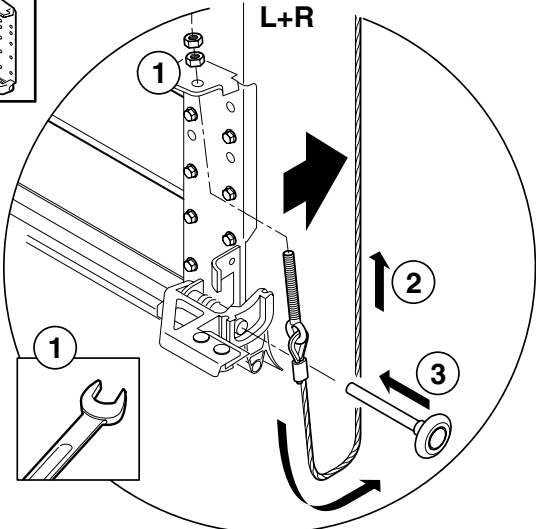
T 340

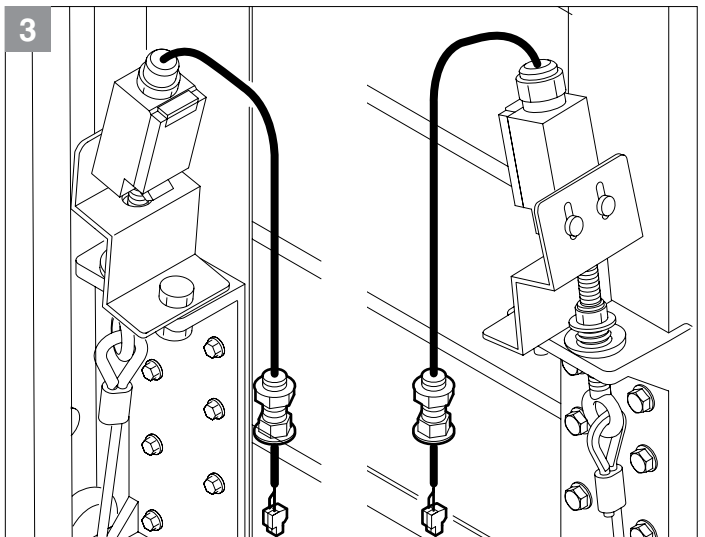
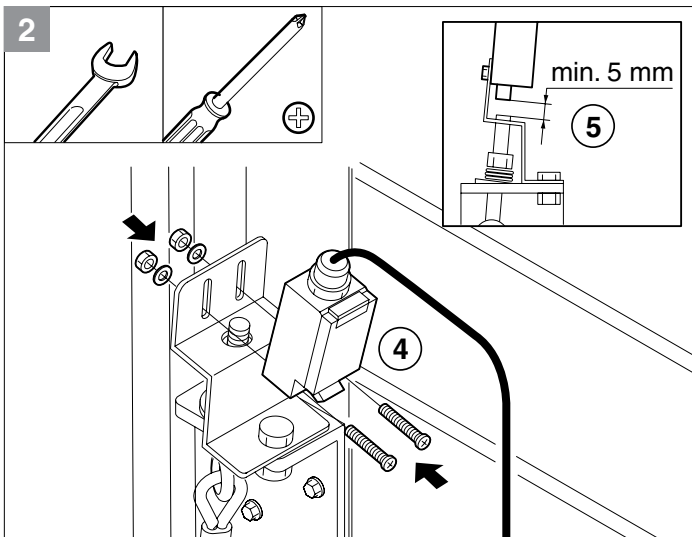
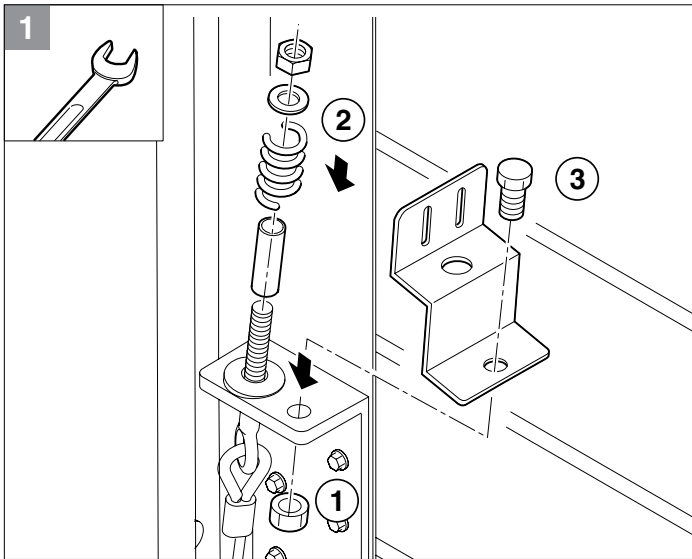
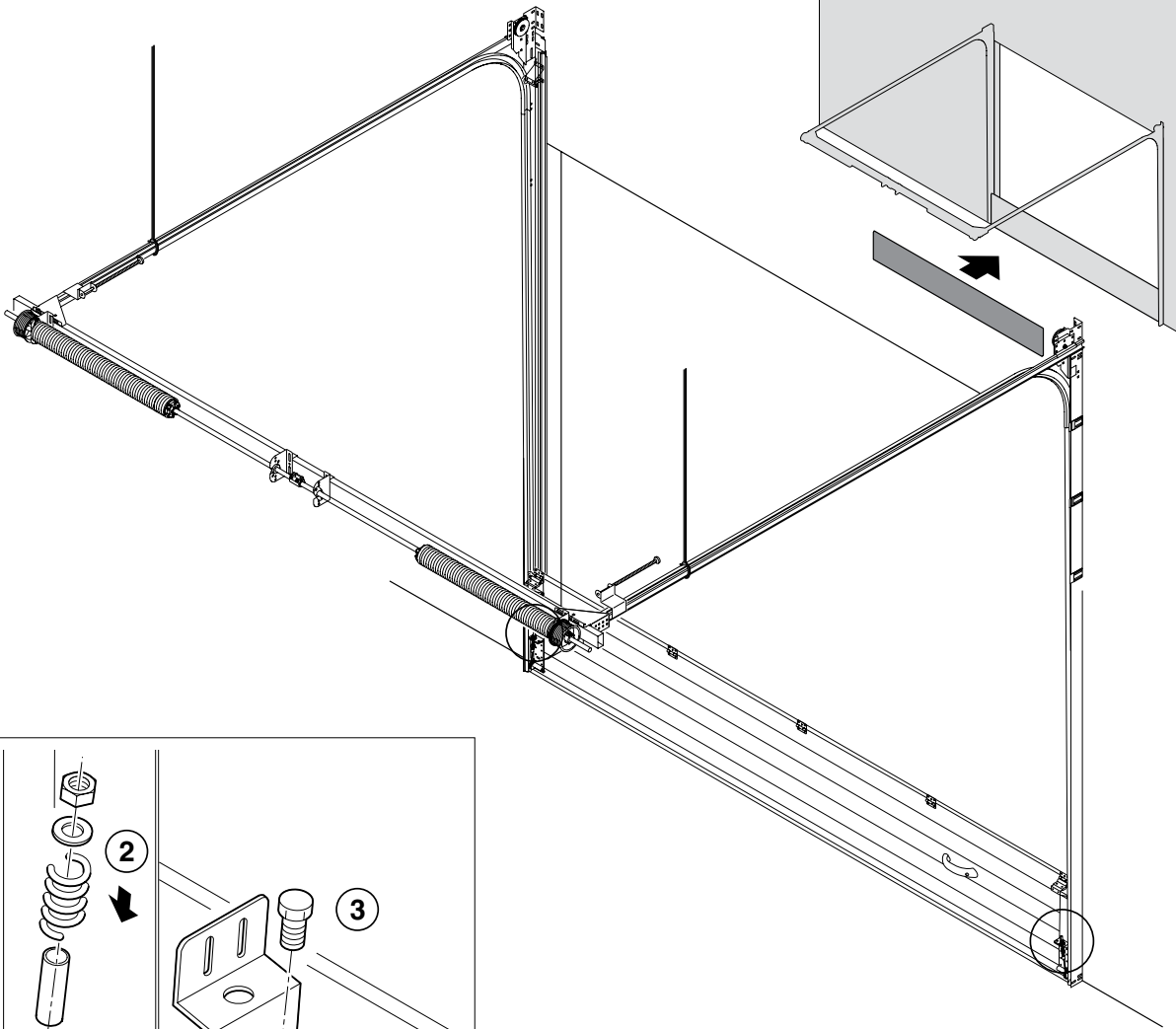
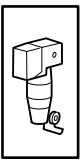
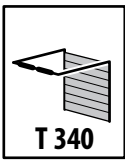


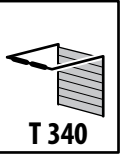
L+R



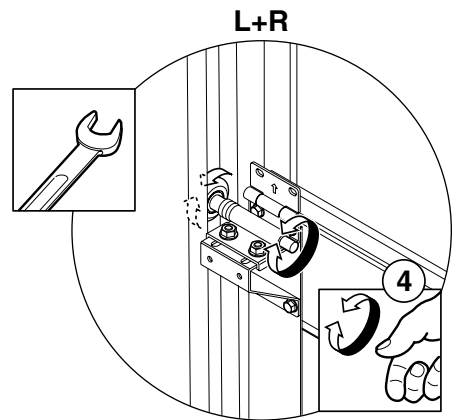
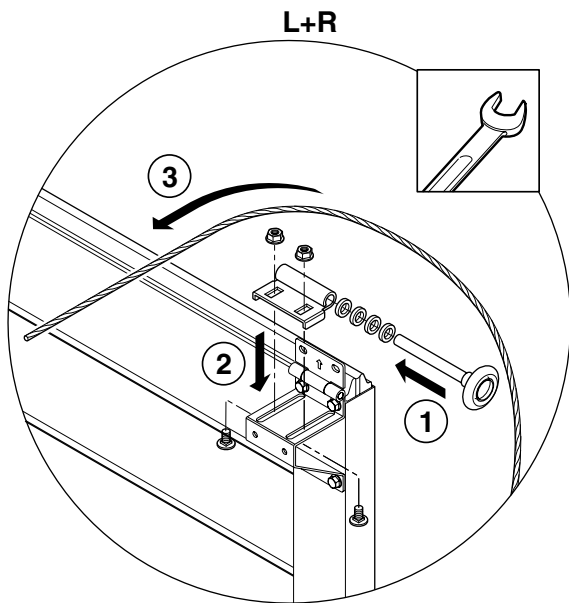
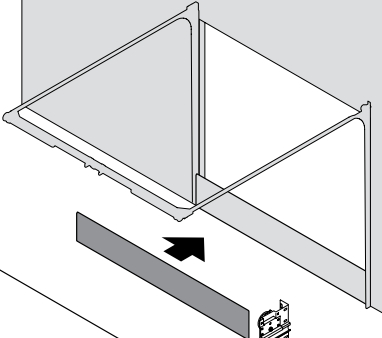
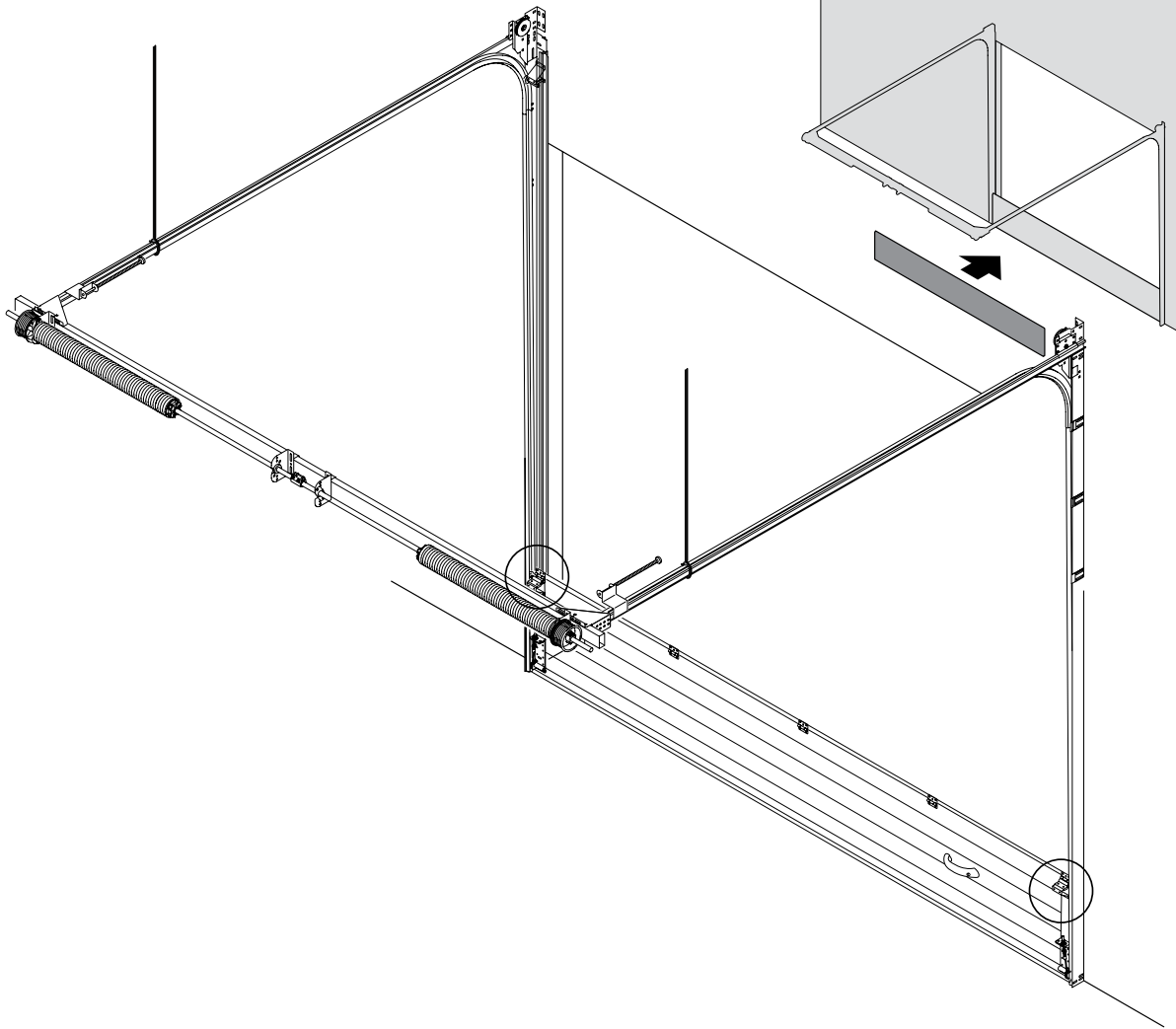
L+R

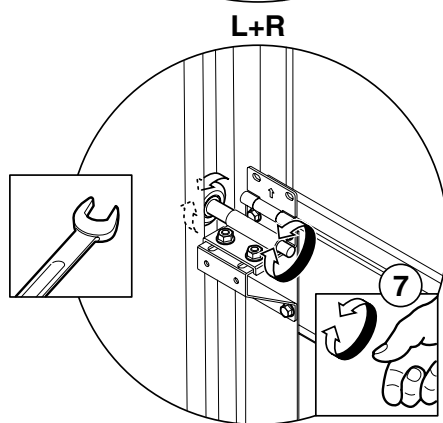
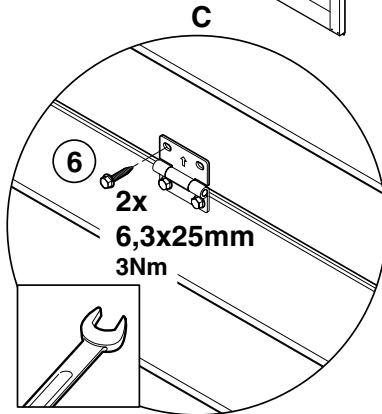
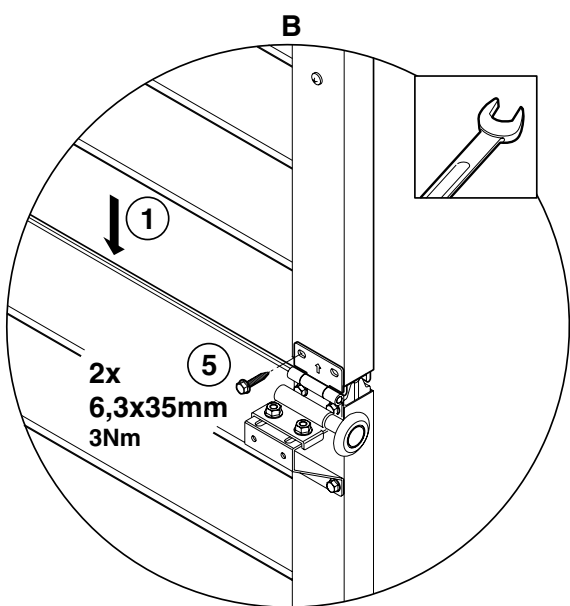
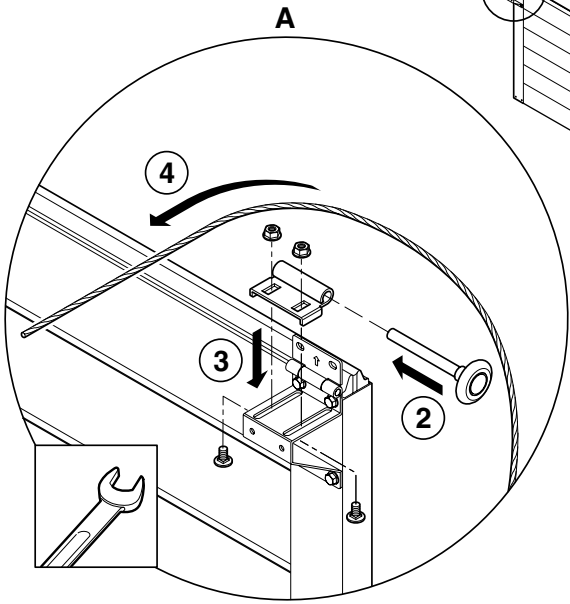
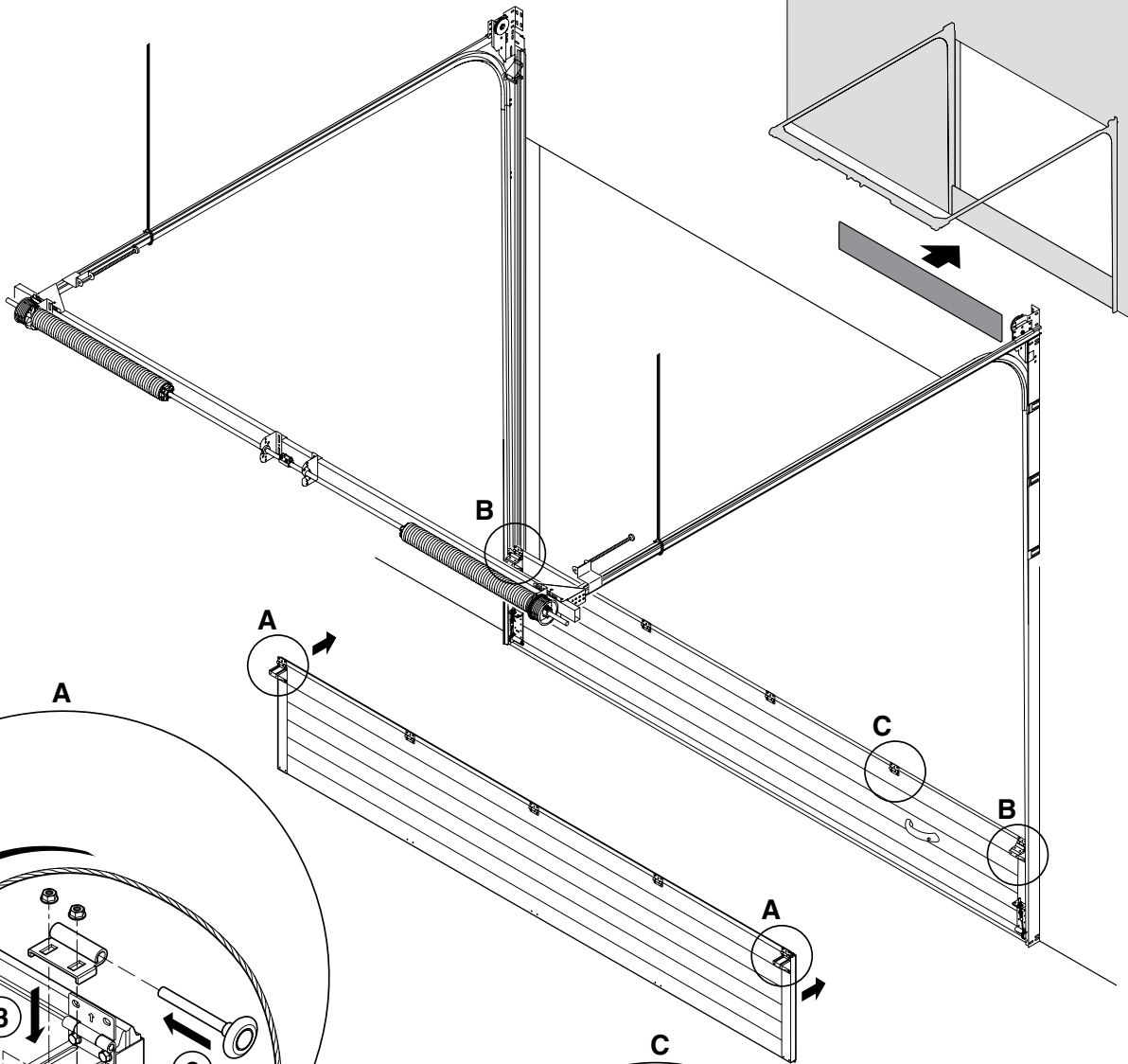
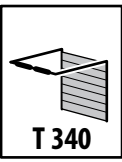


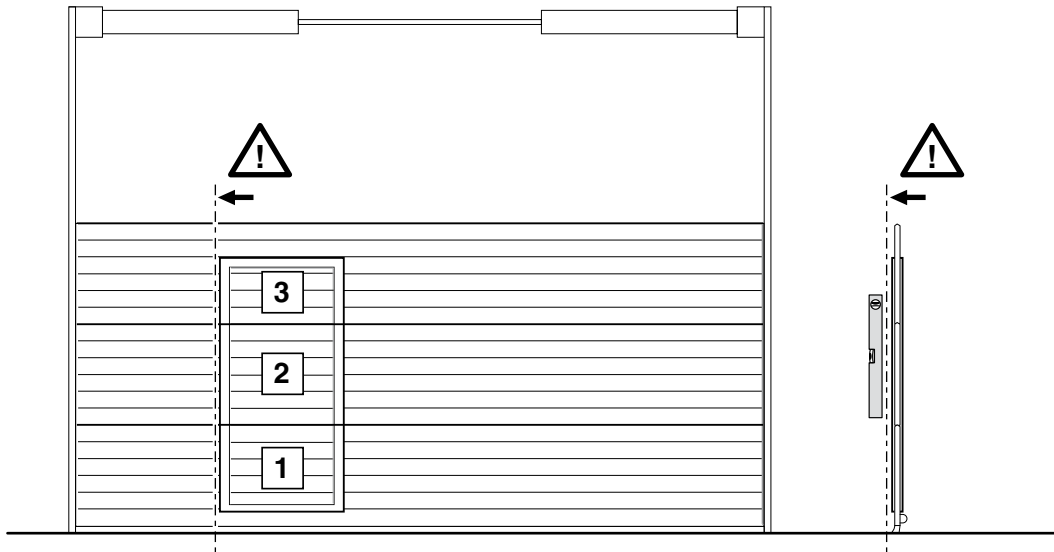
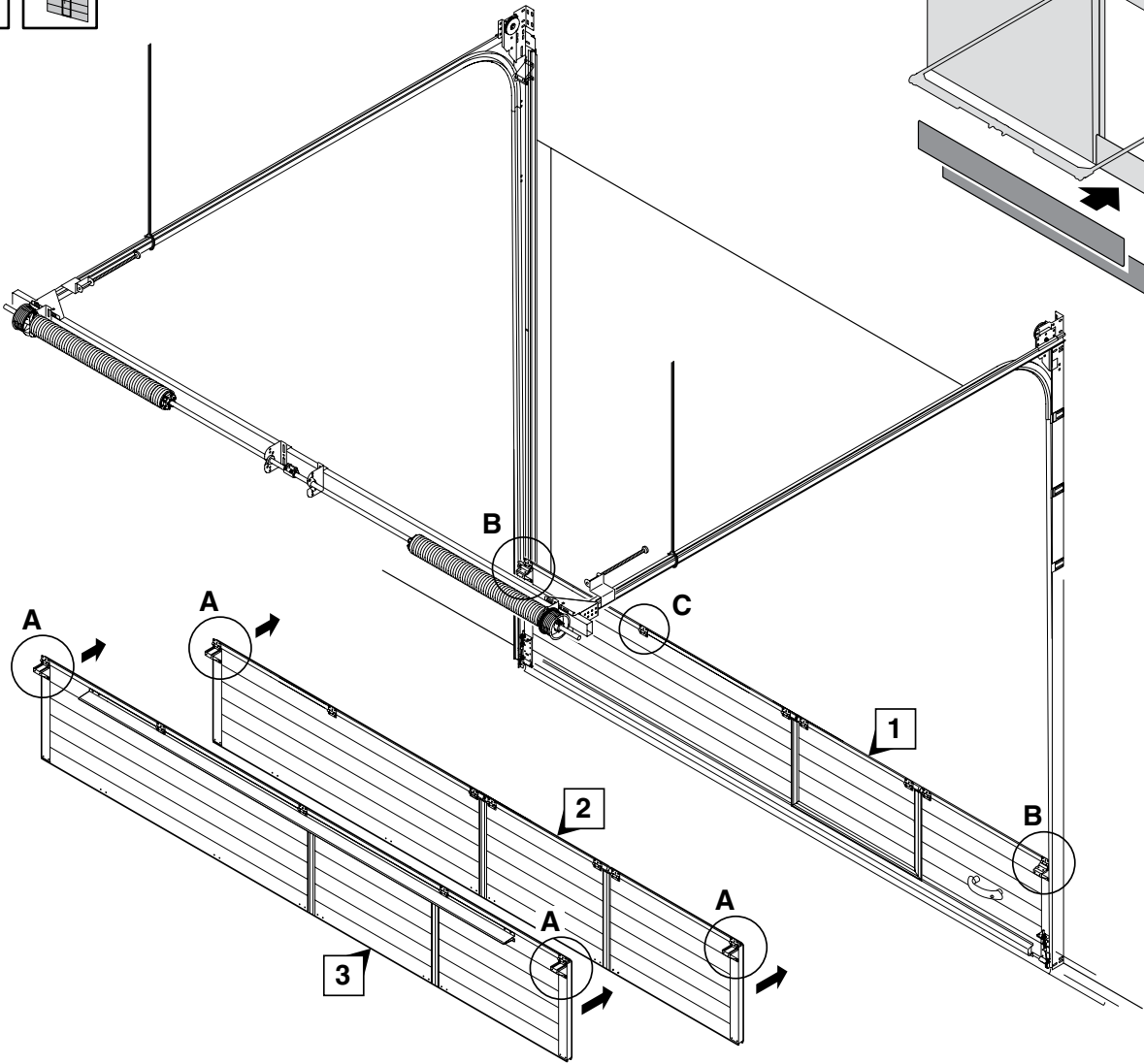
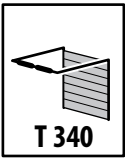


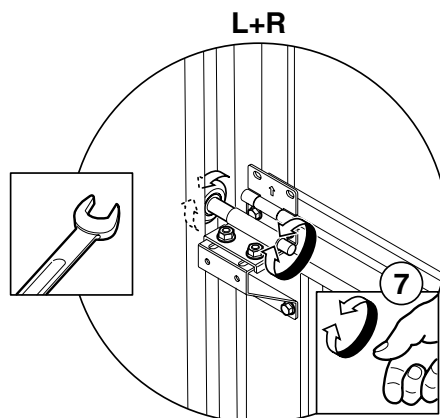
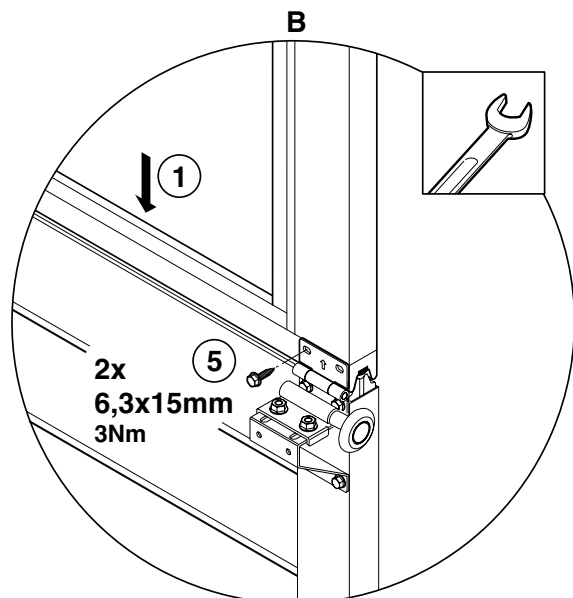
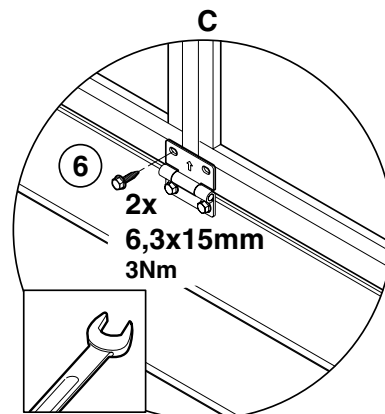
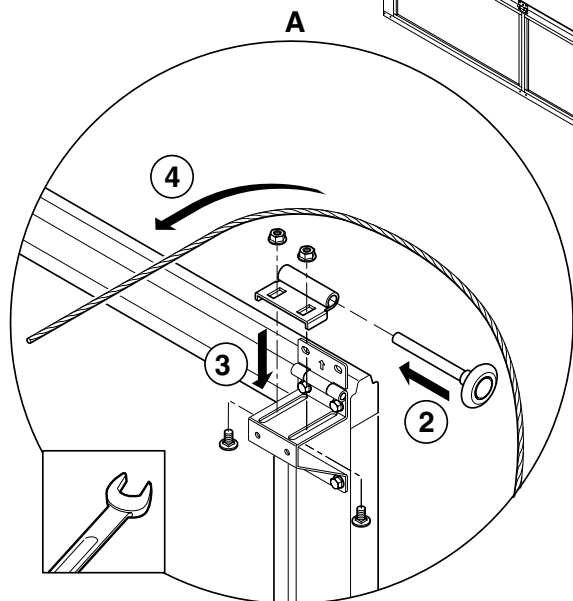
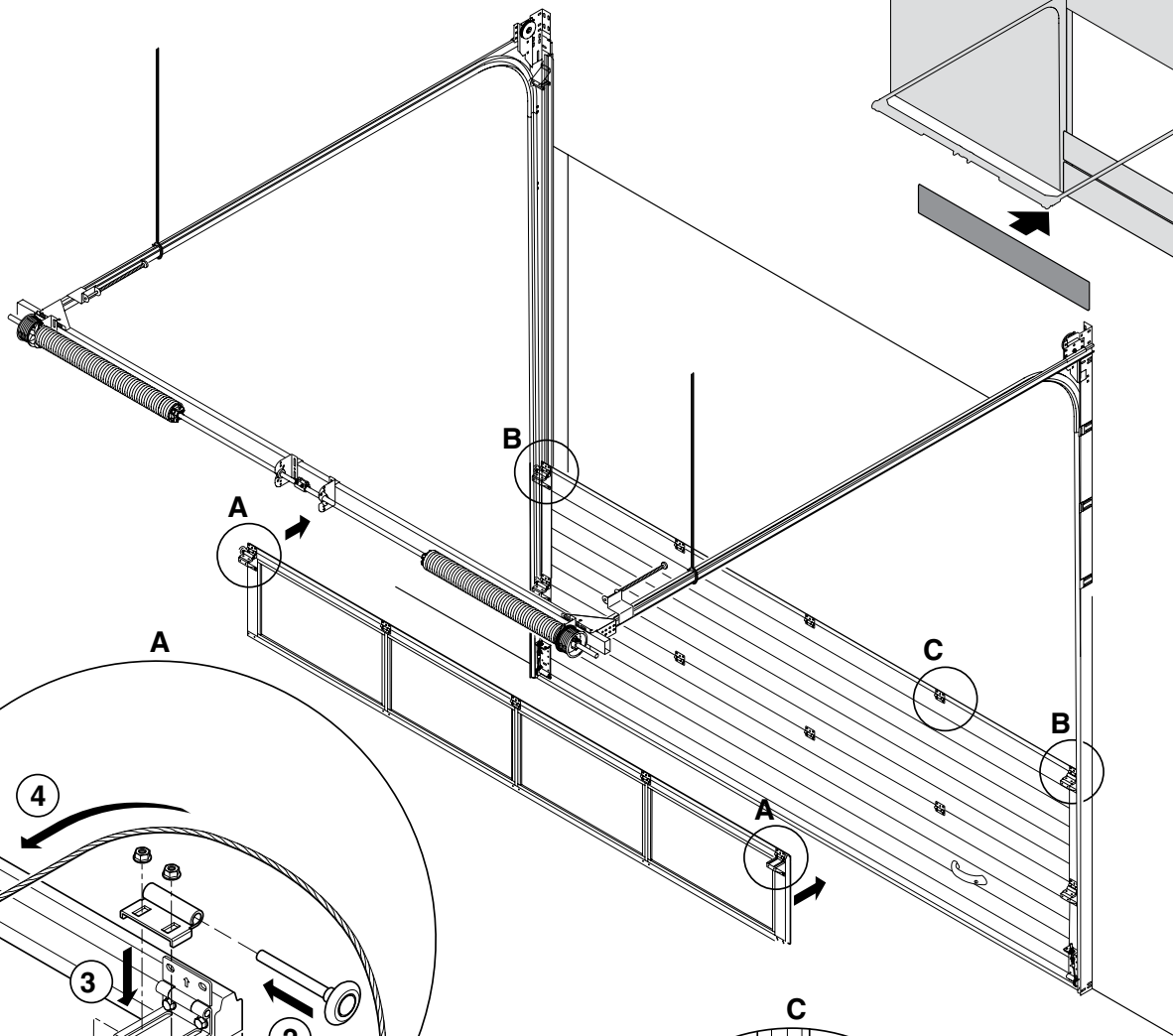
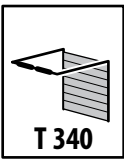


T 340

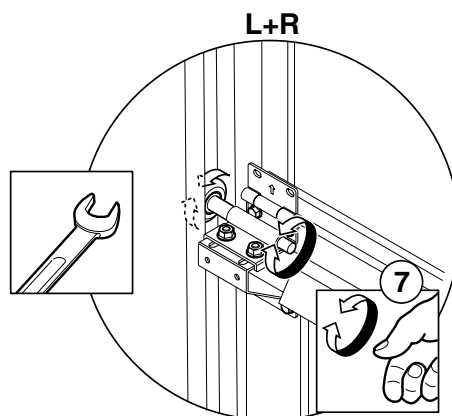
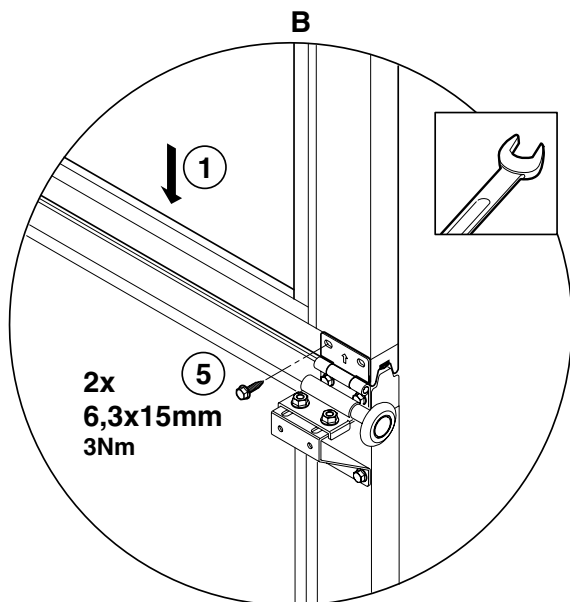
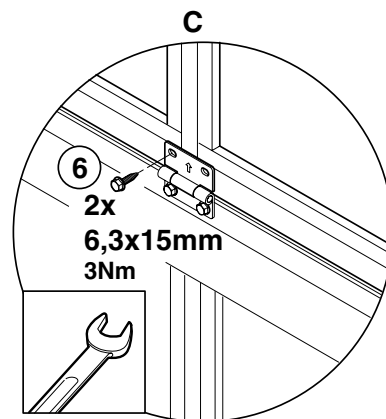
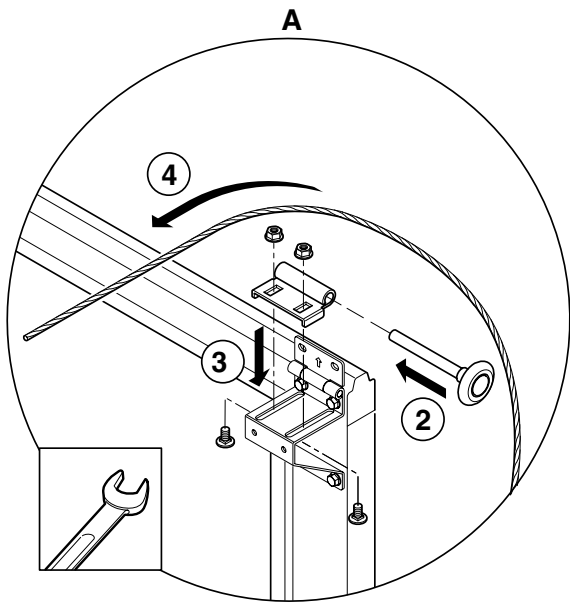
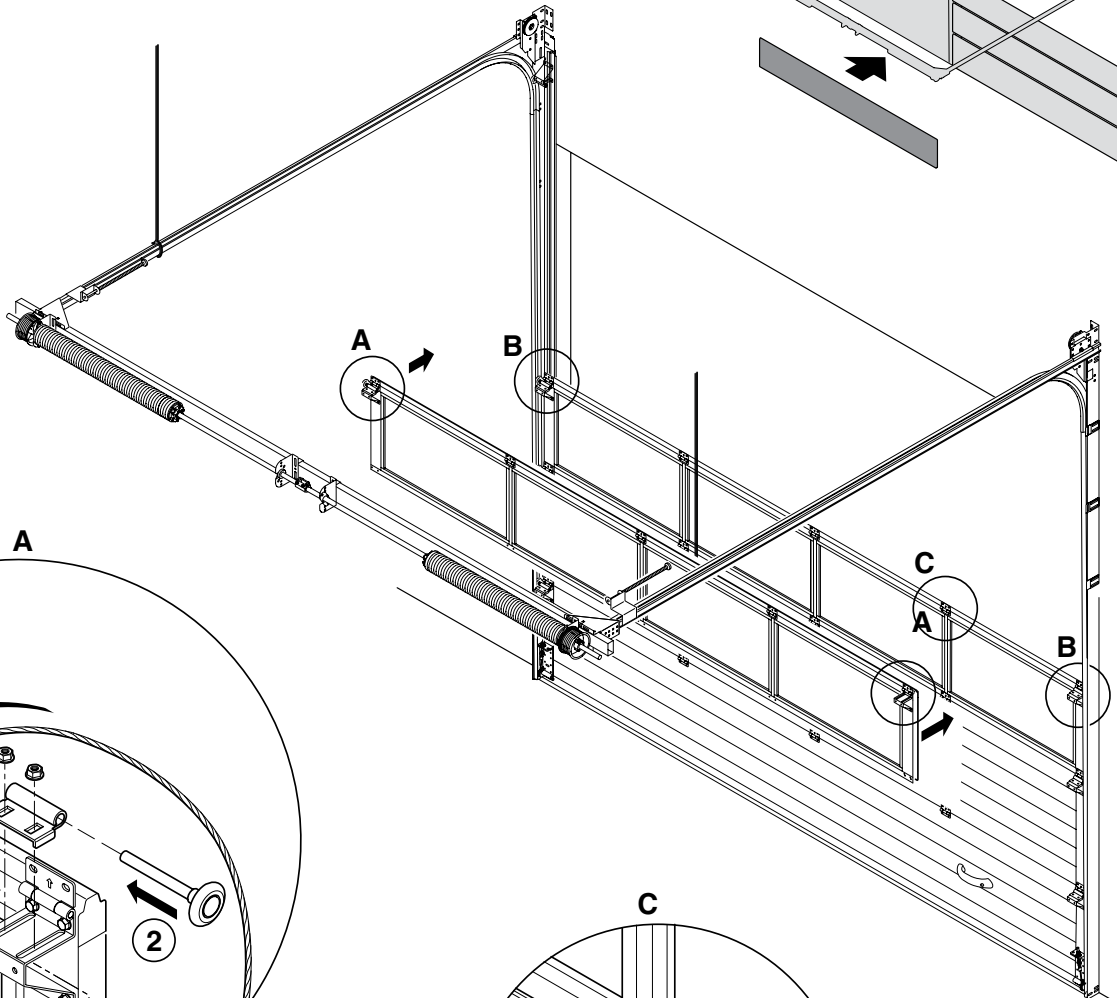
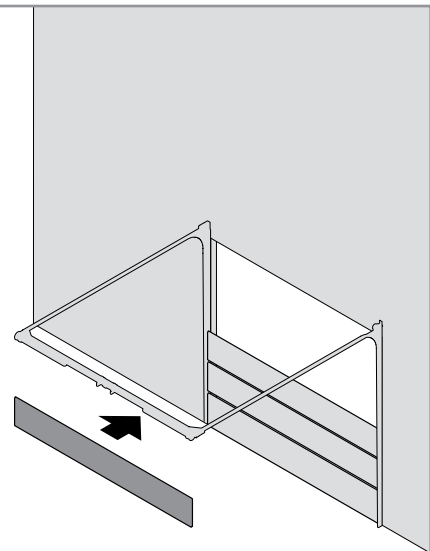
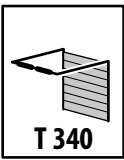


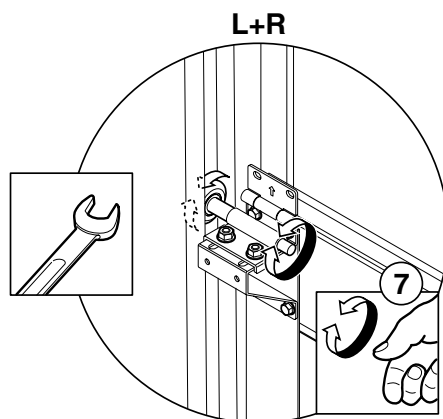
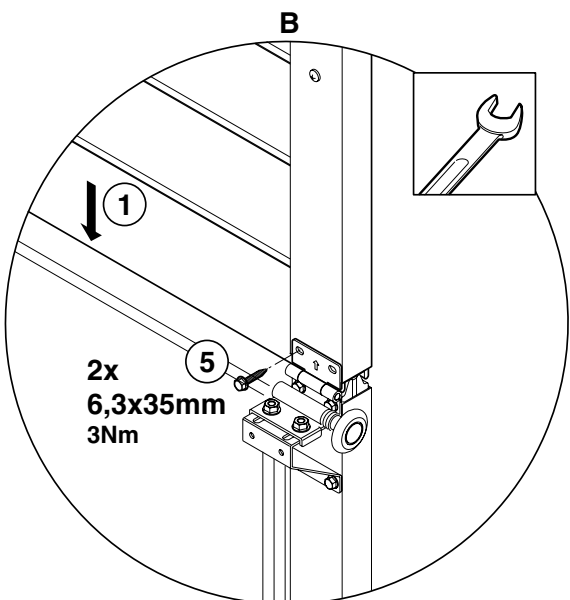
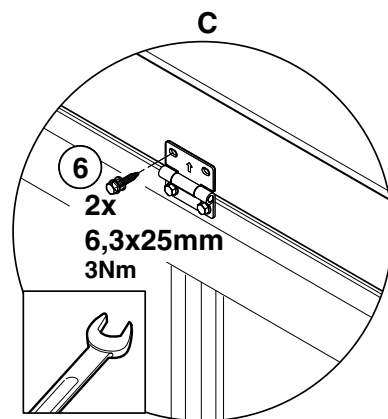
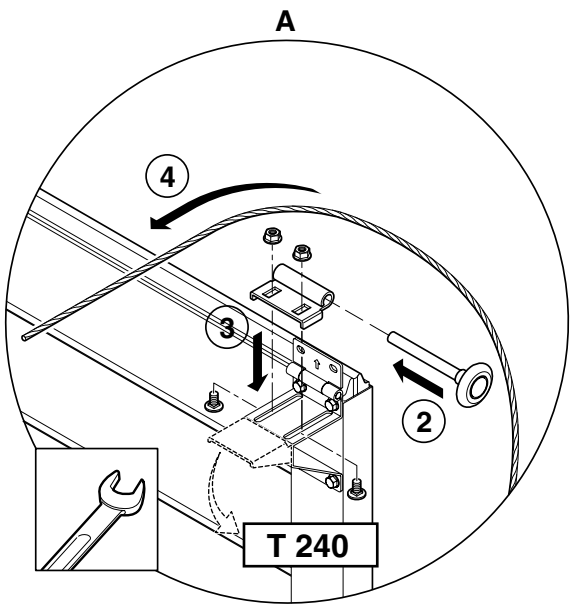
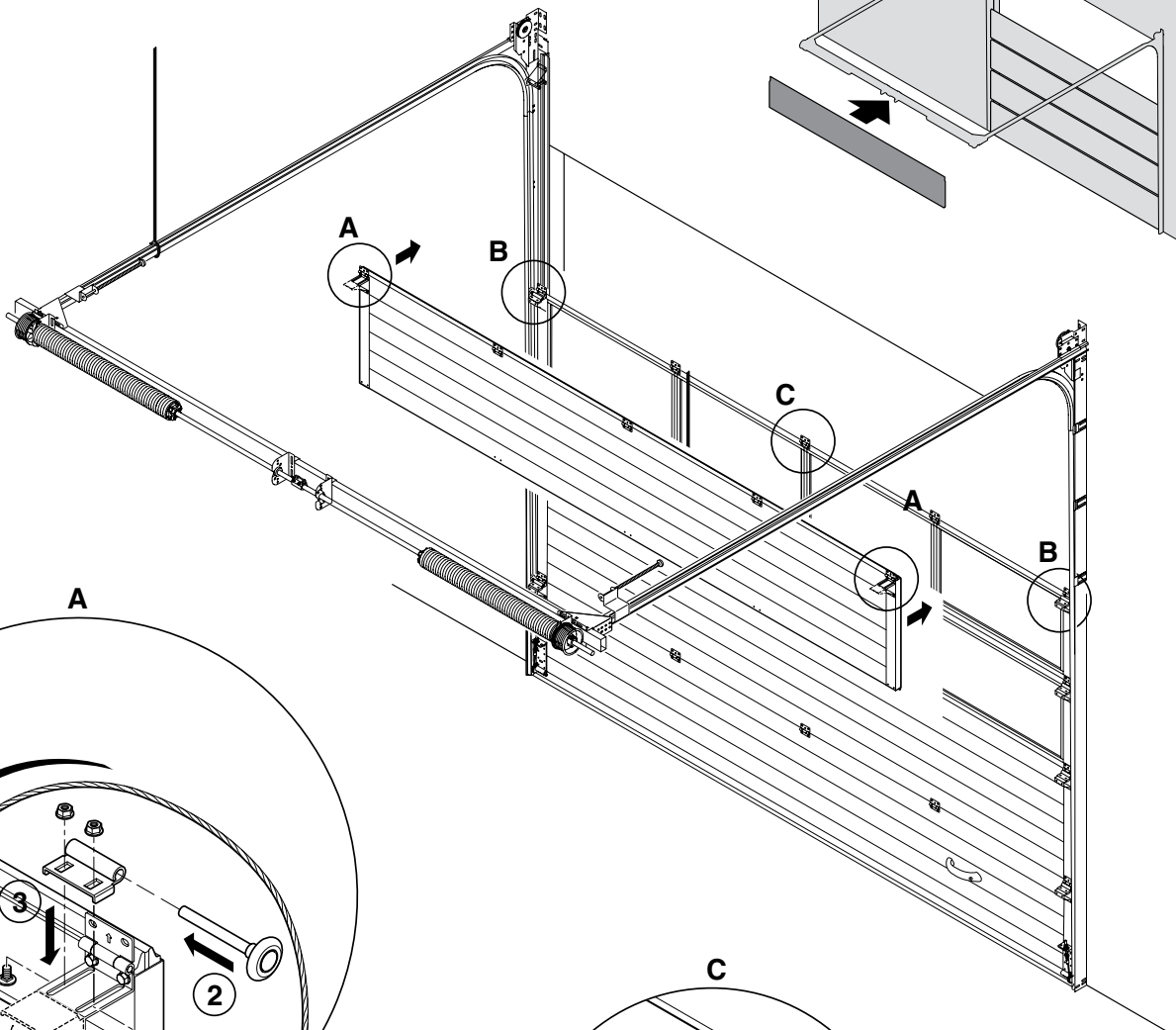
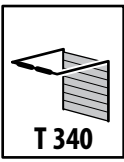


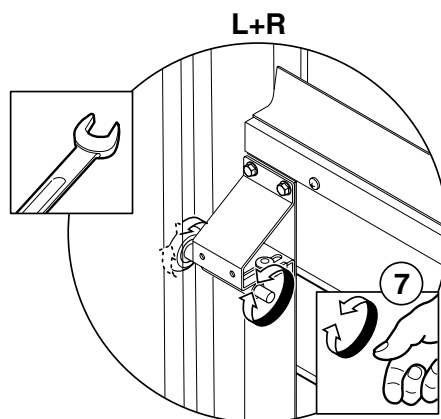
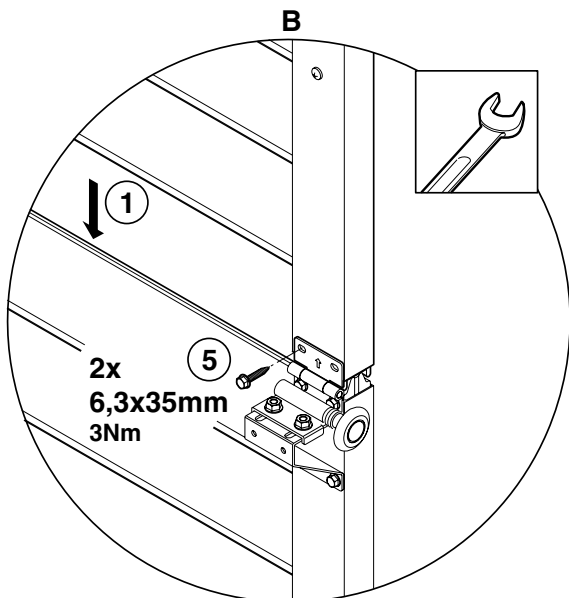
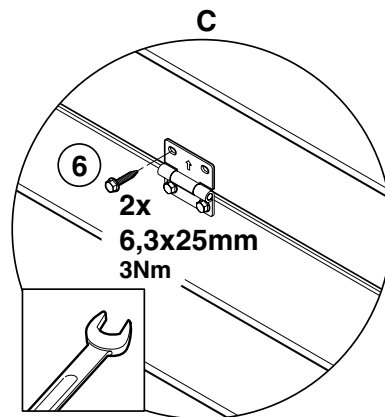
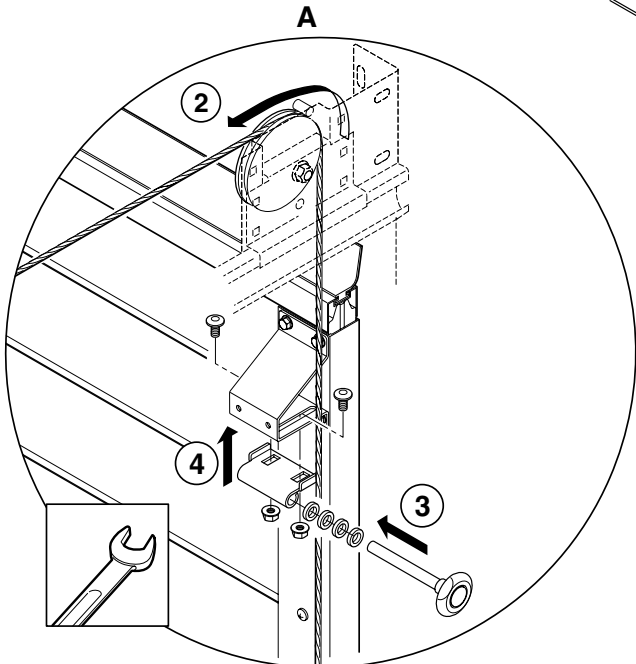
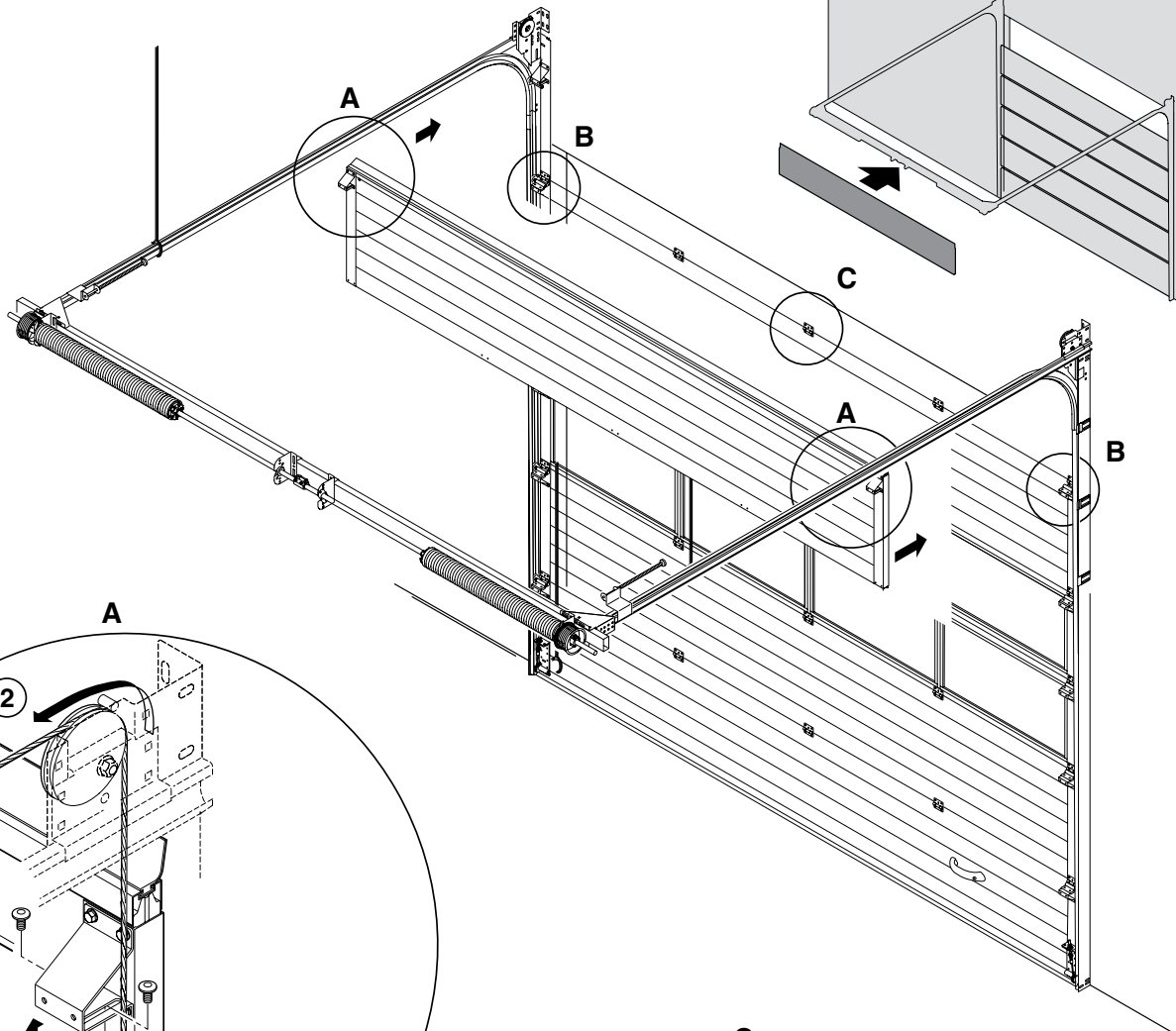
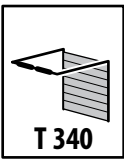


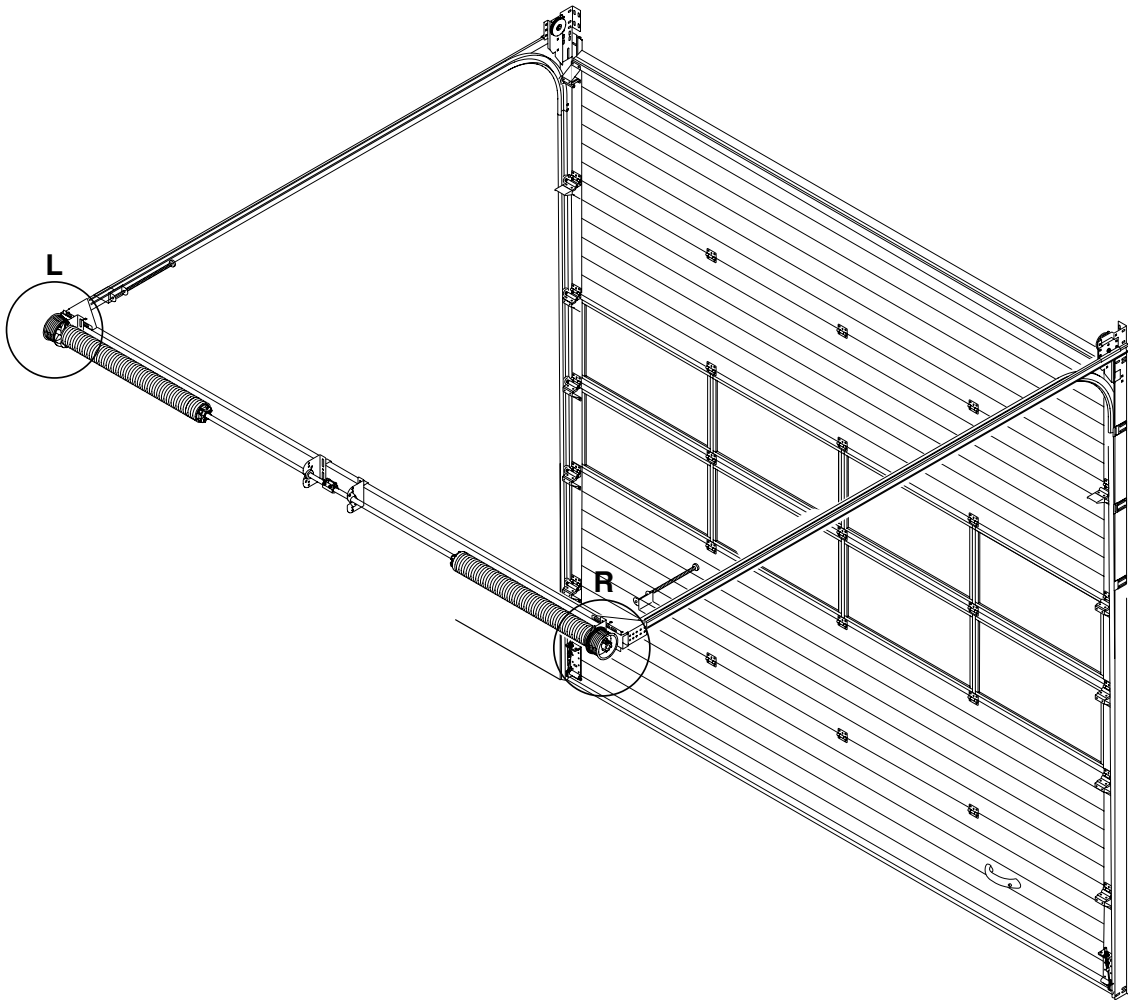
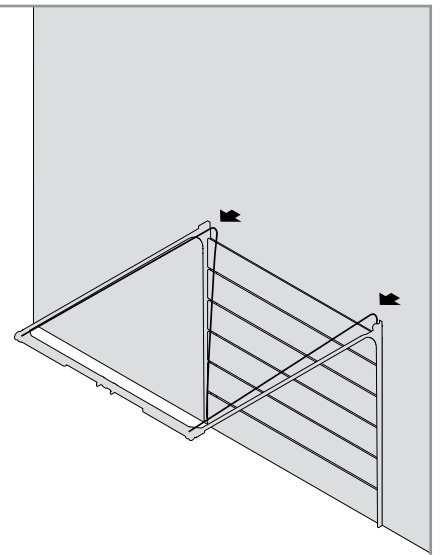
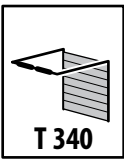




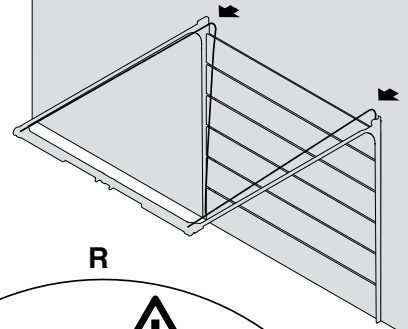
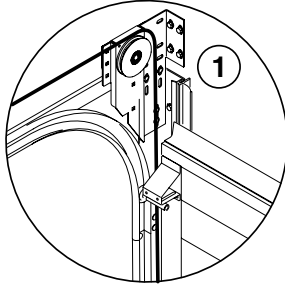




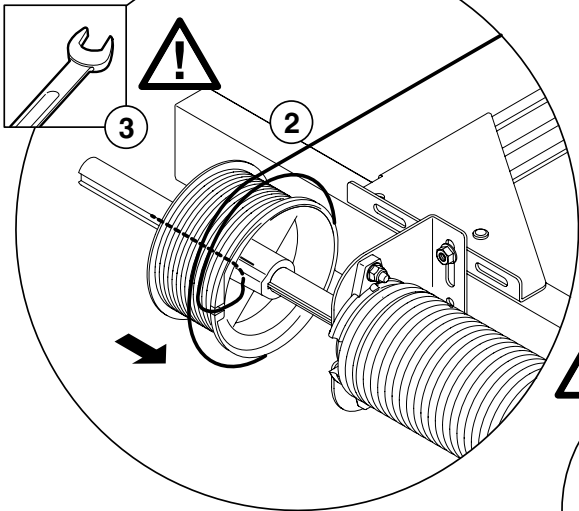




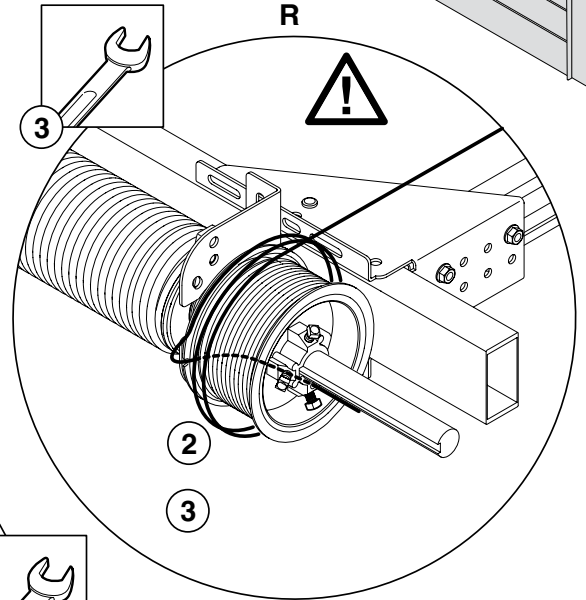
L+R



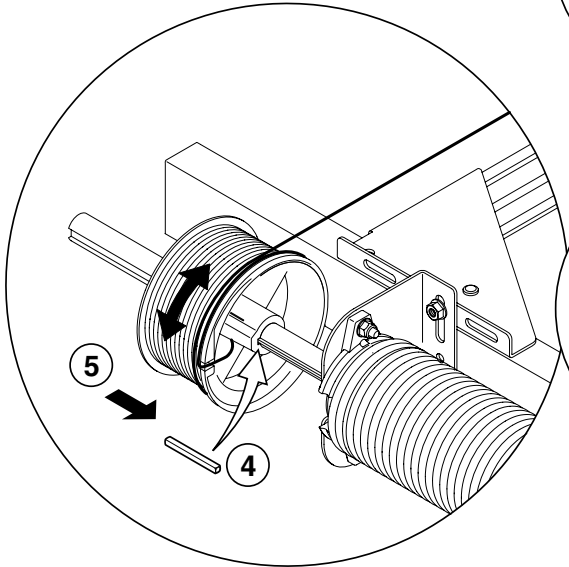
L



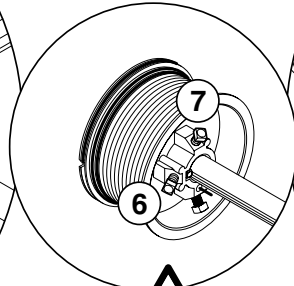
R



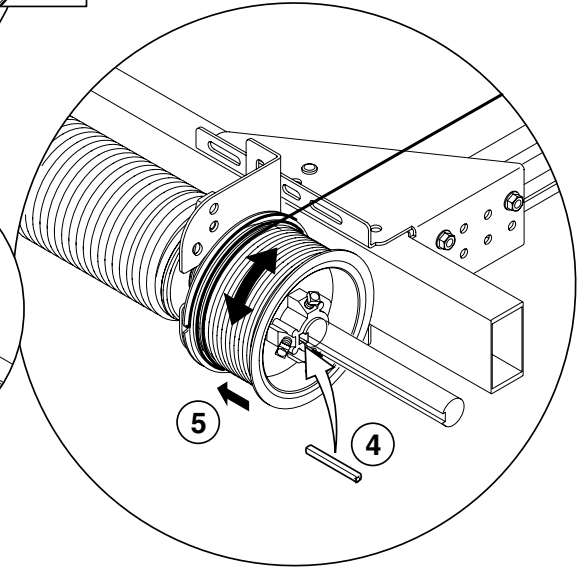
L



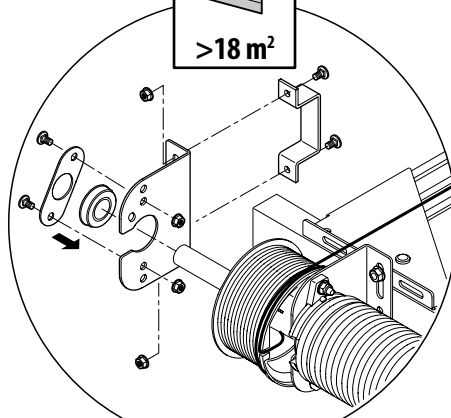
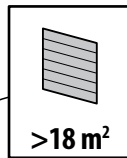
L+R

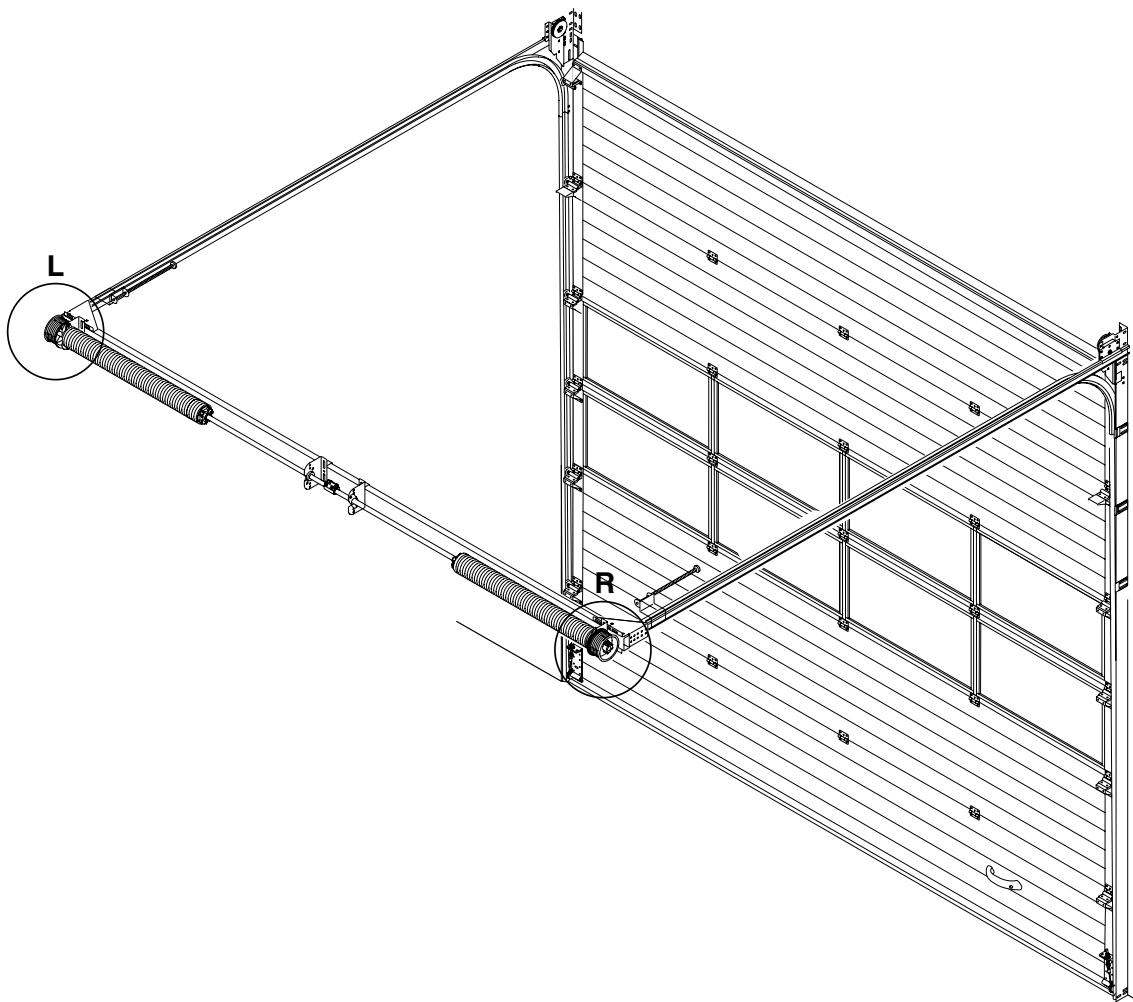
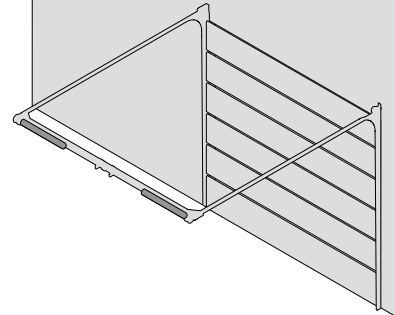
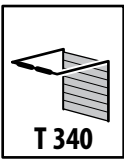


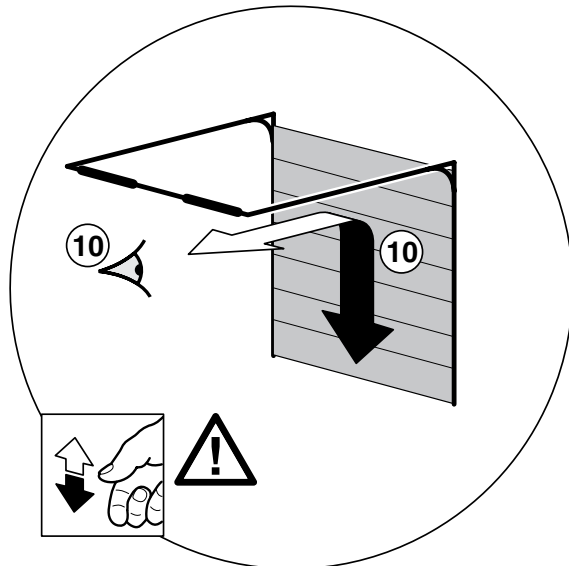
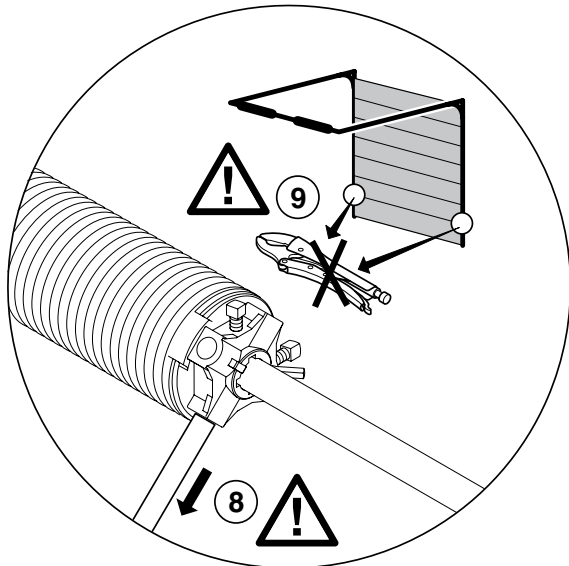
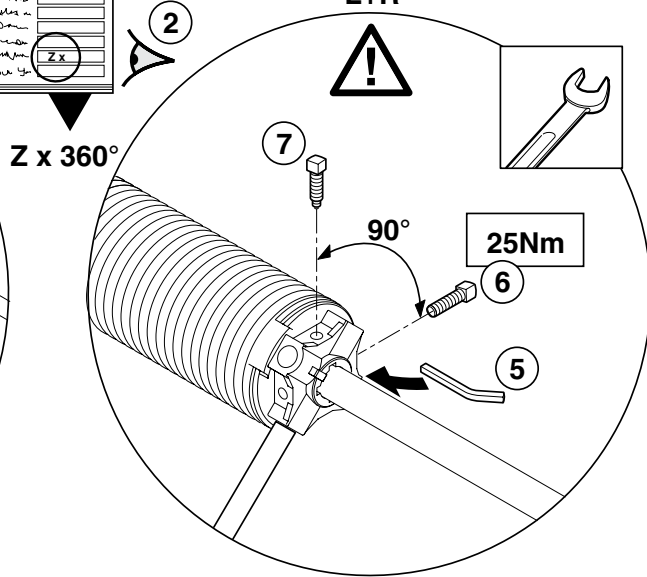
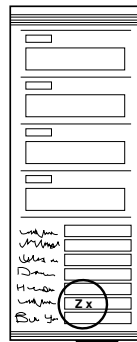
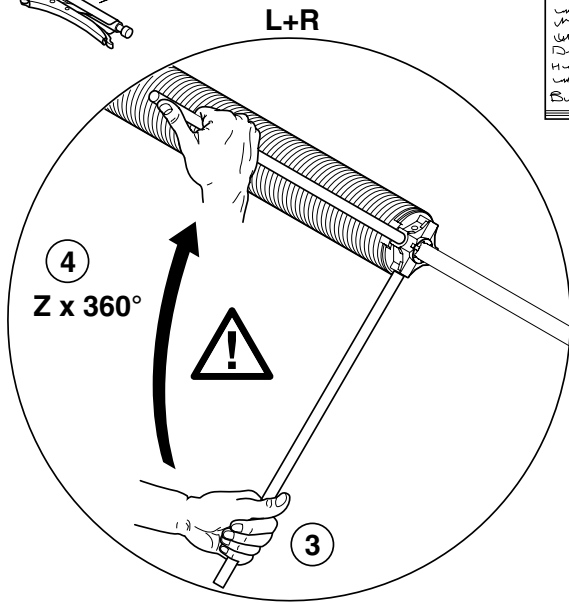
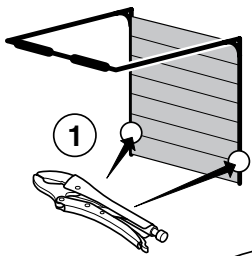
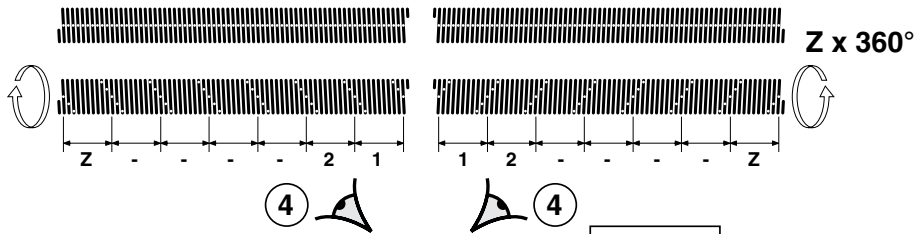
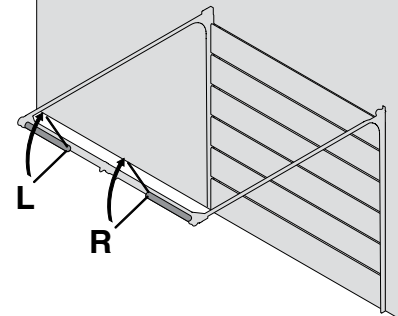
R

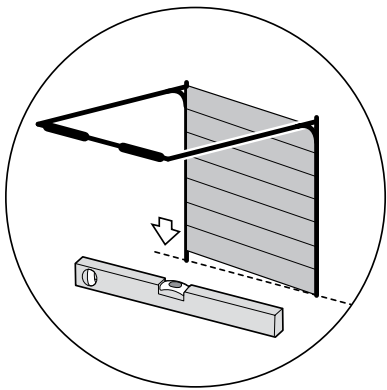
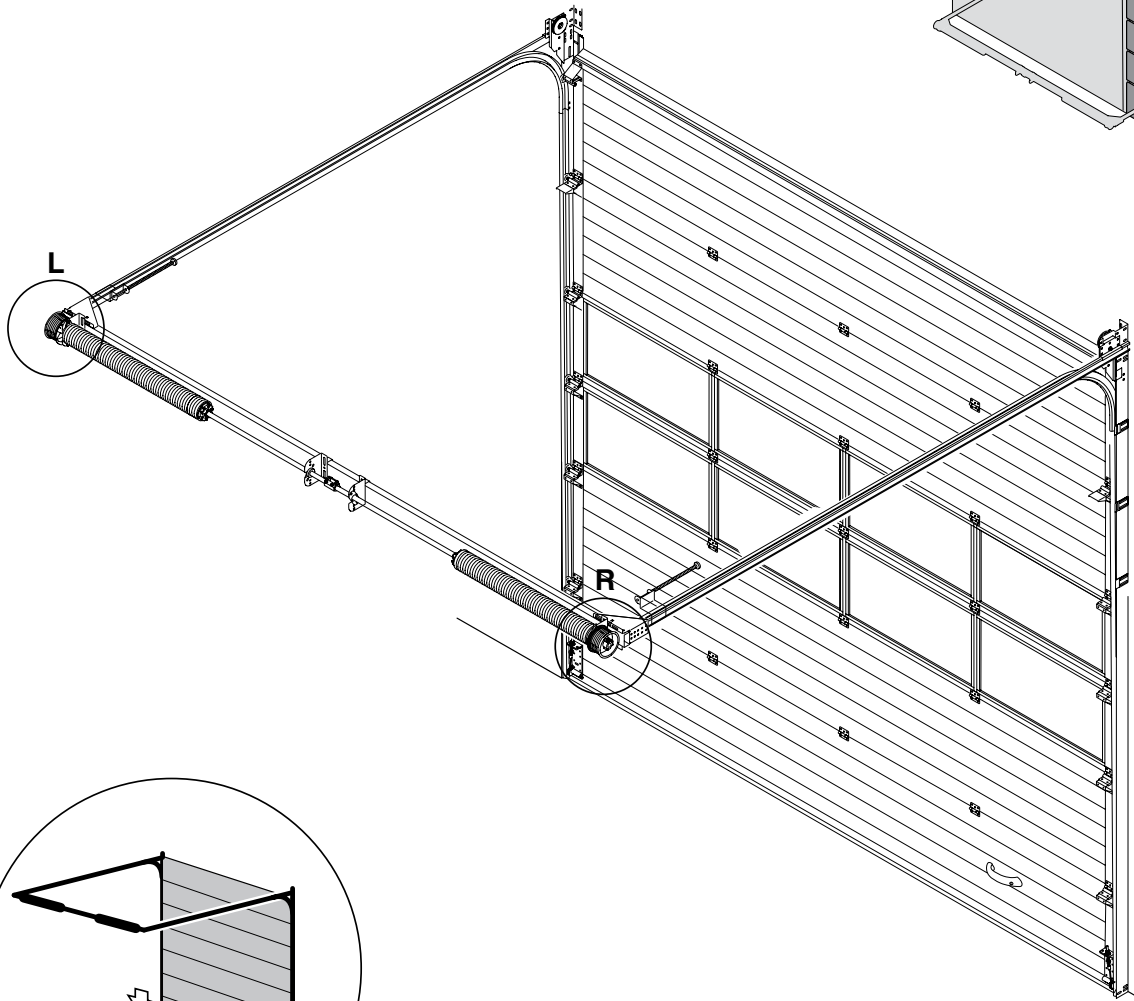
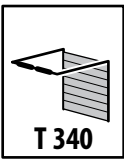


L+R

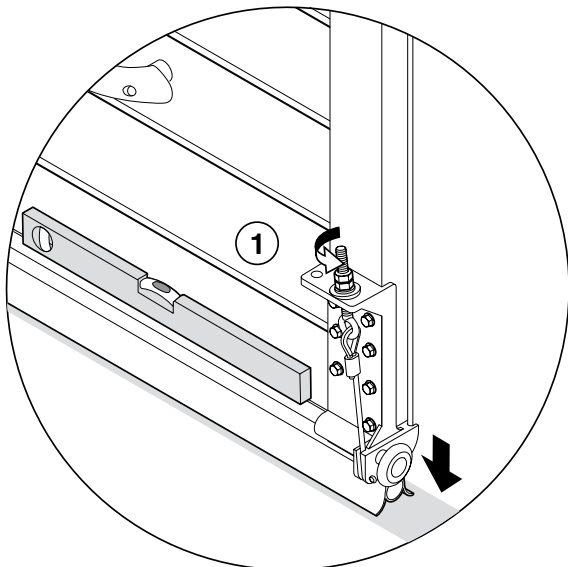




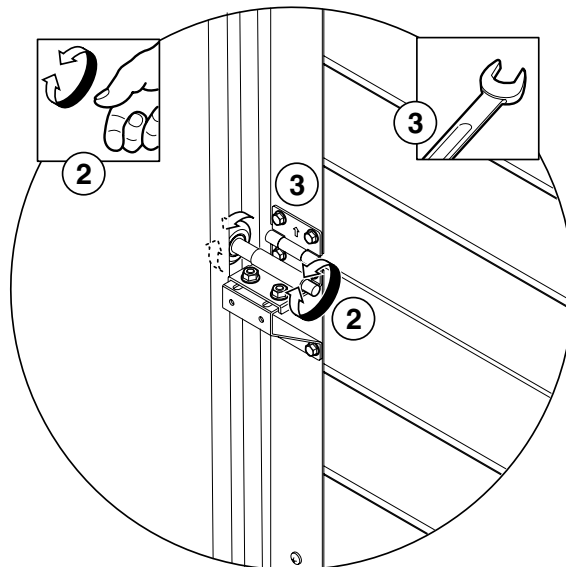




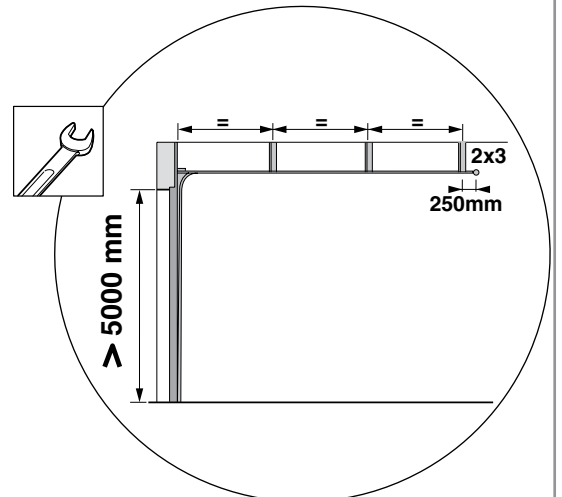
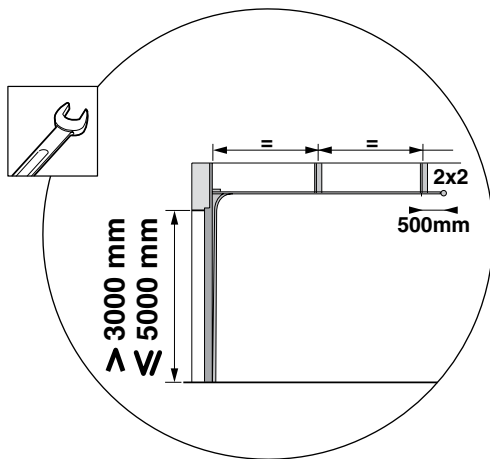
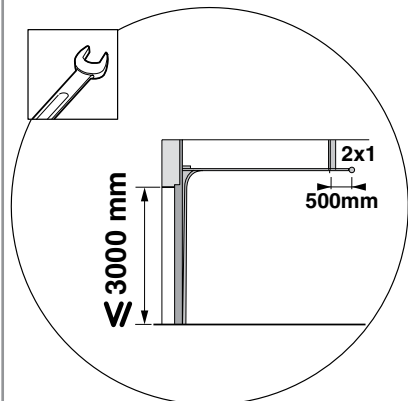
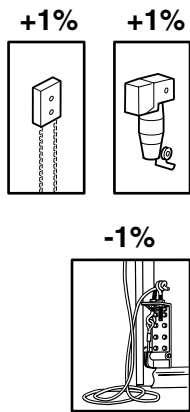
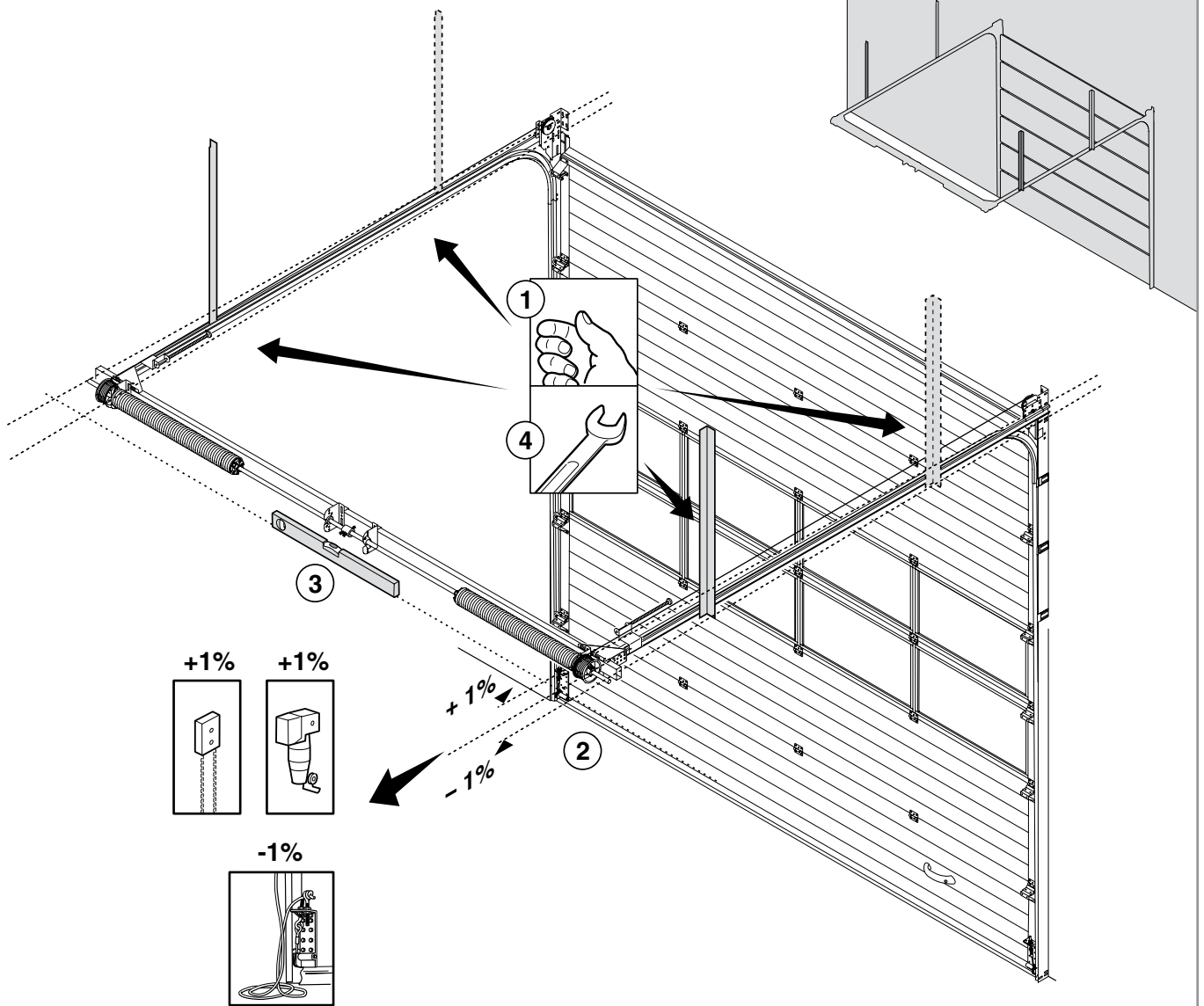
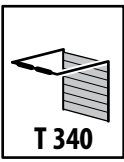
L+R

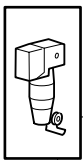
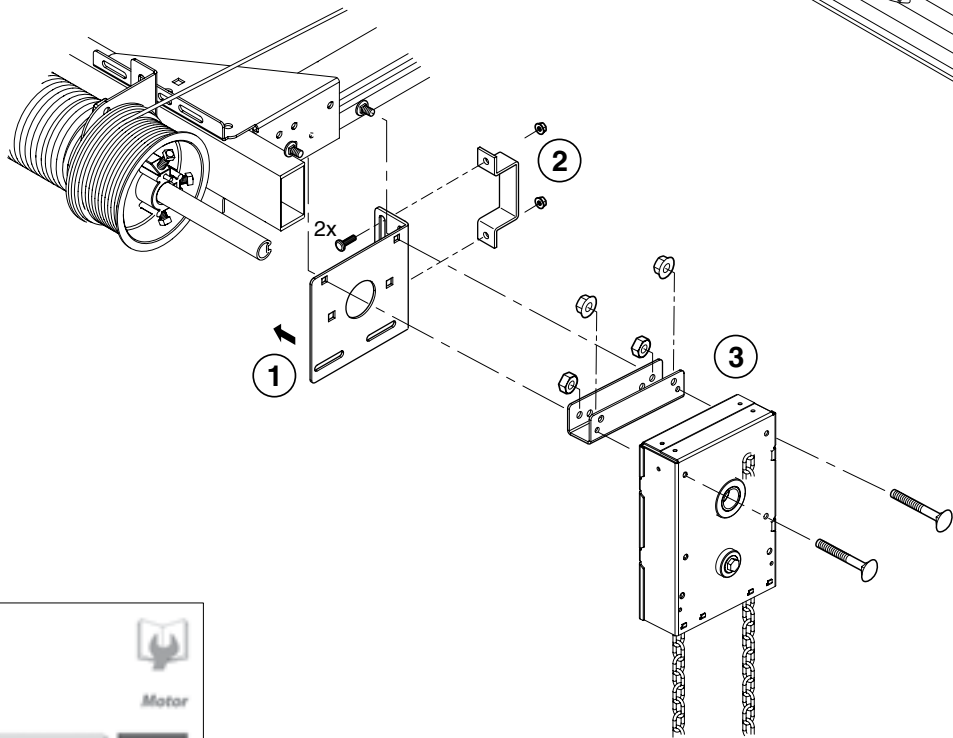
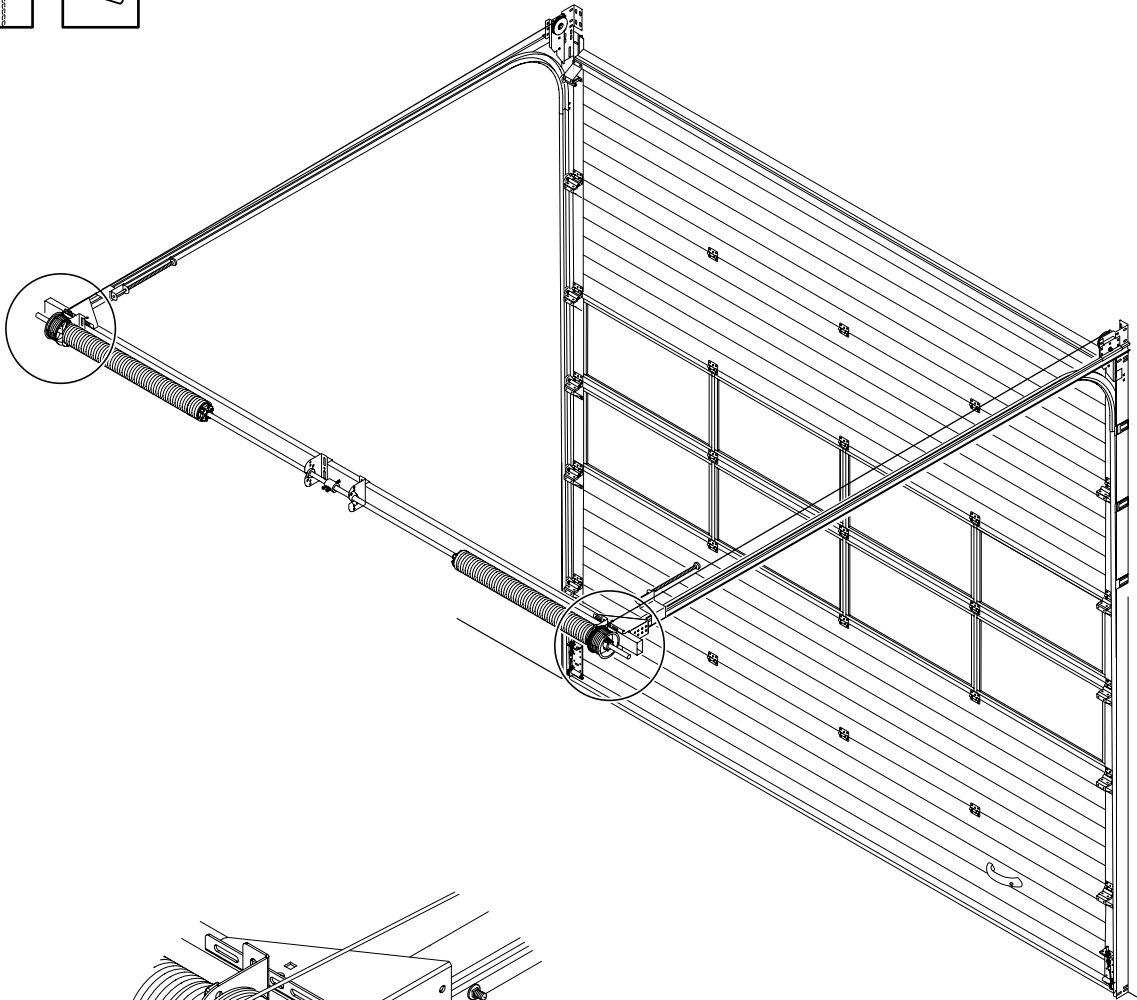
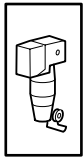
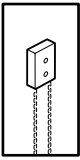
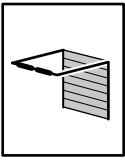


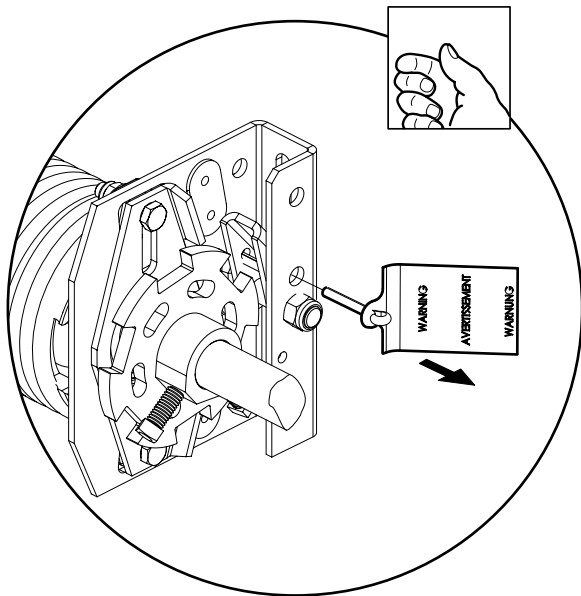
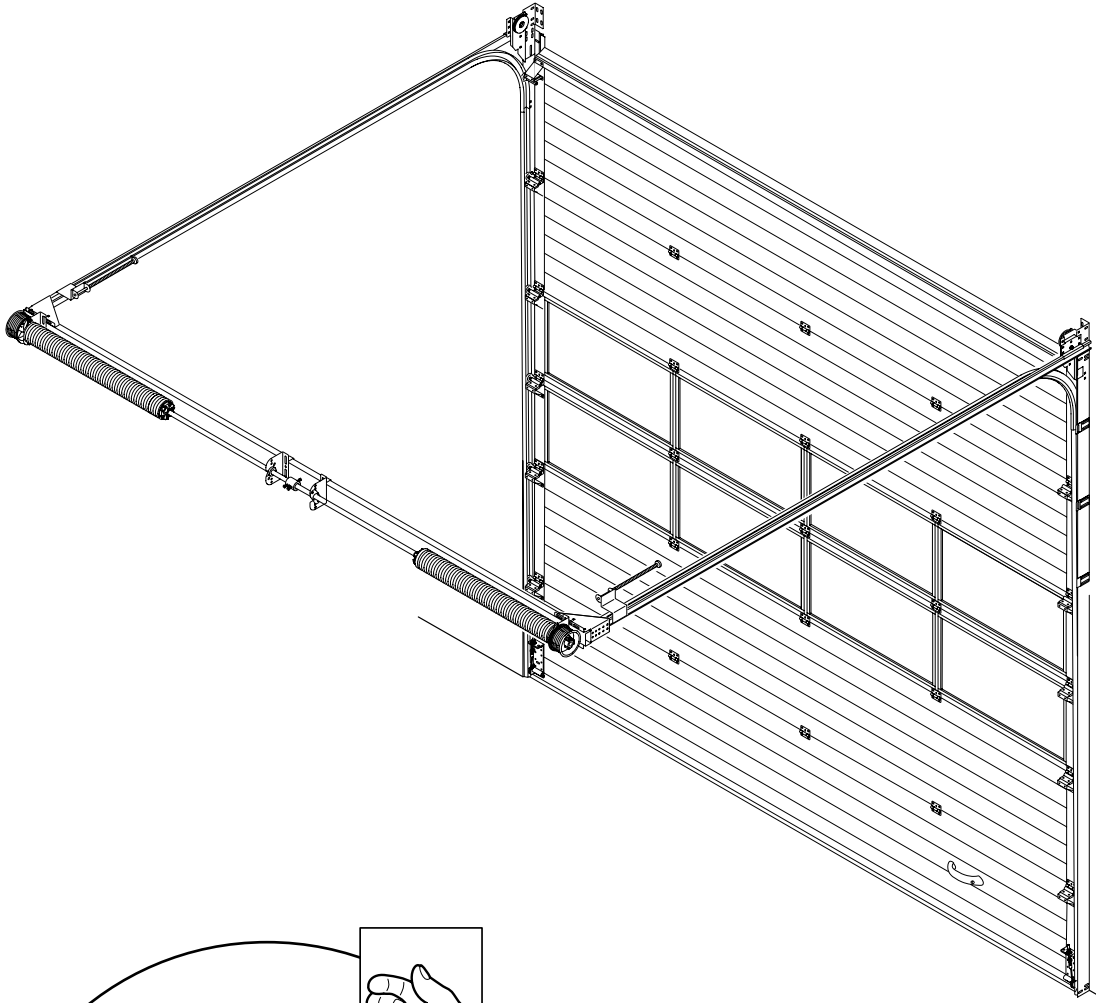
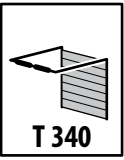
L+R











© Copyright Alpha deuren International b.v.

This manual was prepared and issued by Alpha deuren International B.V. Netherlands. It is supplied to approved agents of Alpha deuren International B.V. All rights are reserved. The information in this document is the property of Alpha deuren International B.V., the Netherlands. Disclosure of this information or any part of it to third parties is prohibited, except with prior and express written permission of Alpha deuren International B.V., the Netherlands.

