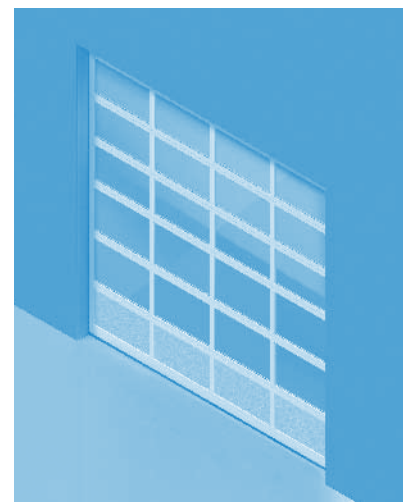
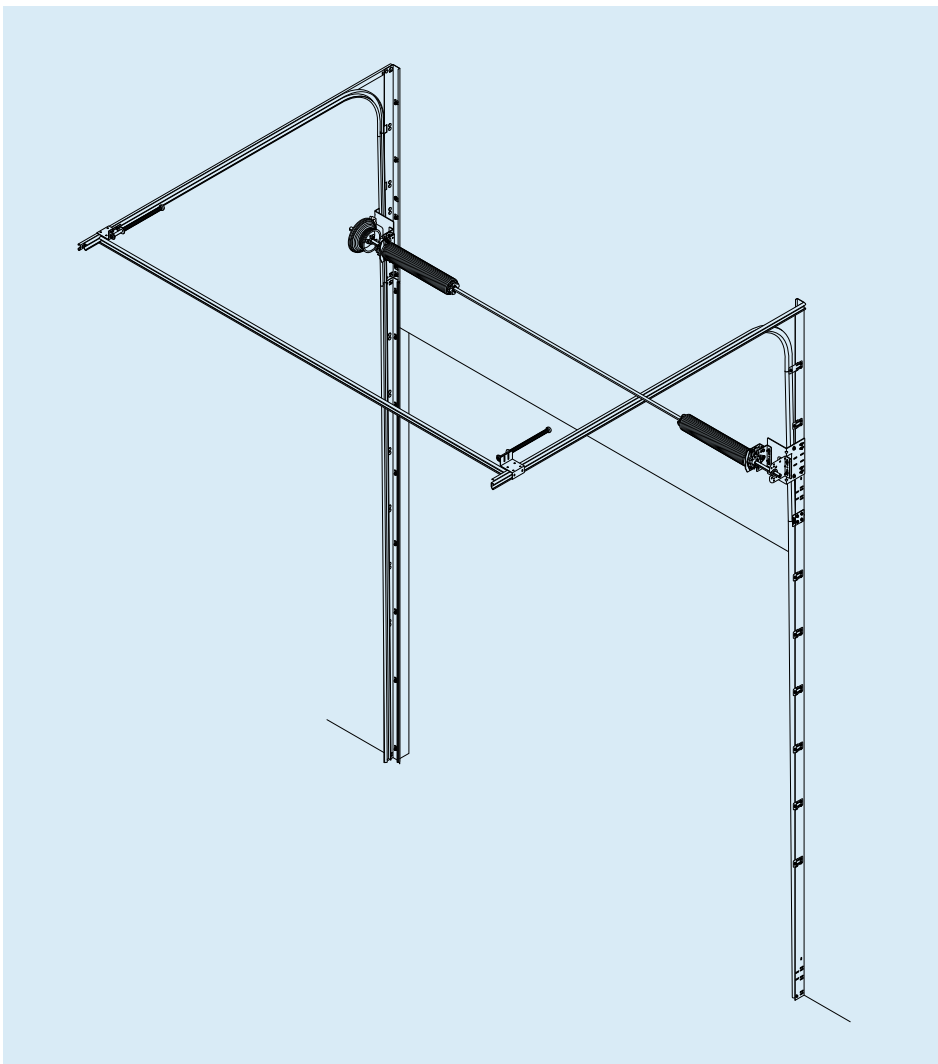
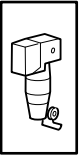
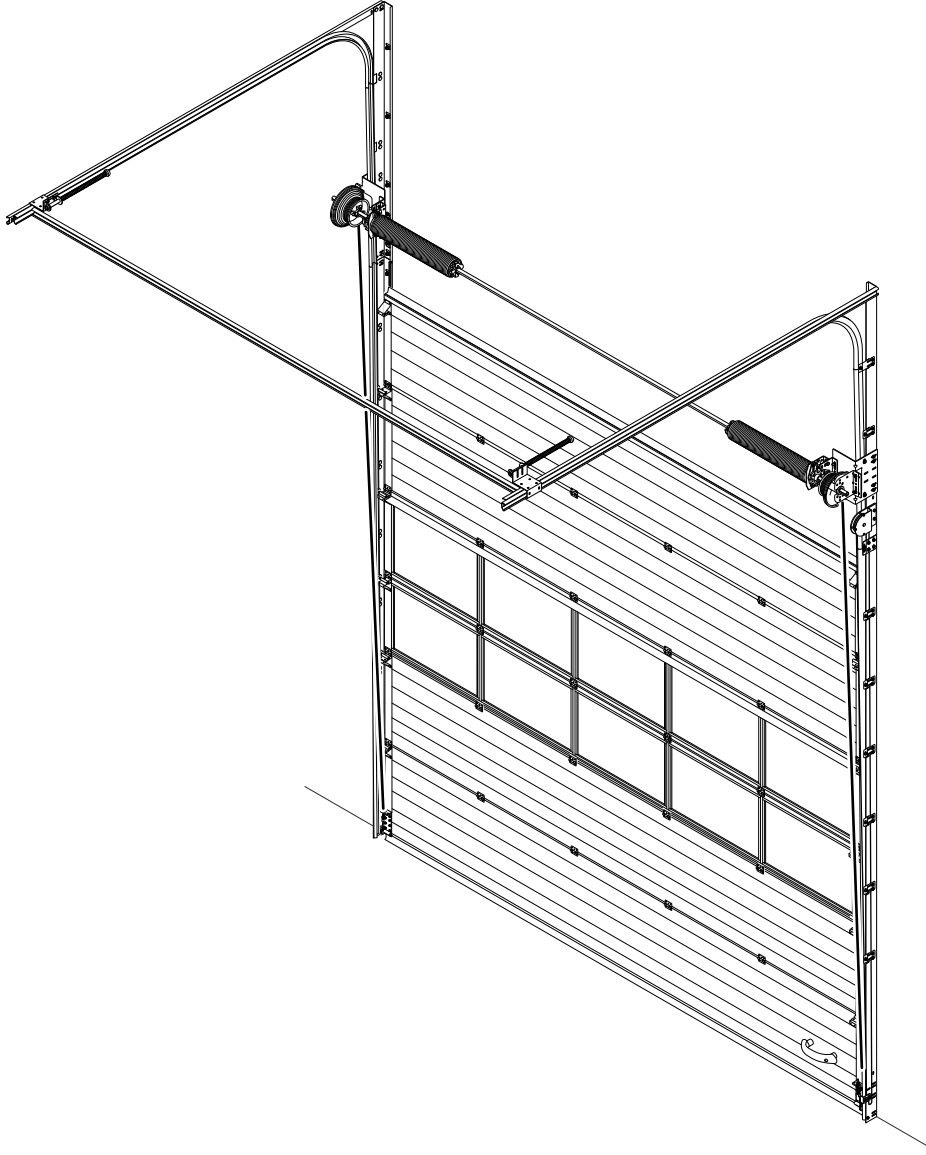
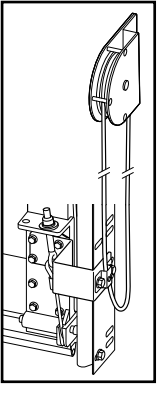


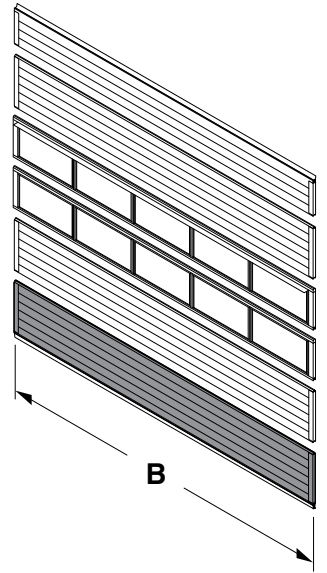
# T 400 DS







**B < 5000mm**

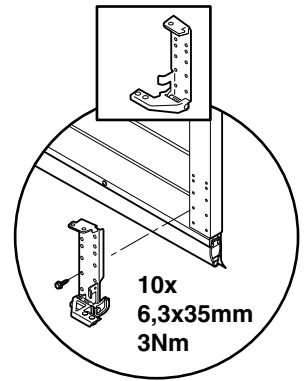
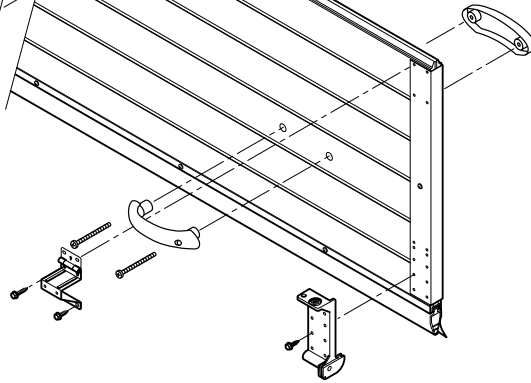
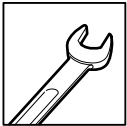


2x  
6,3x35mm  
3Nm

2x  
6,3x15mm  
3Nm

10x  
6,3x35mm  
3Nm

2x  
6,3x25mm  
3Nm



10x  
6,3x35mm  
3Nm

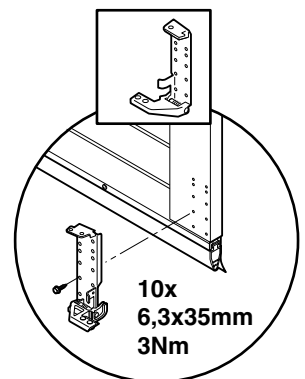
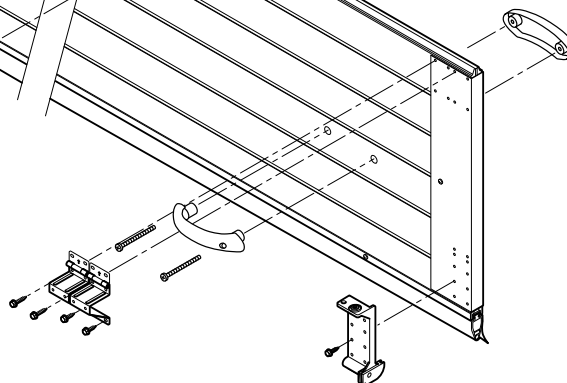
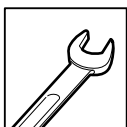
**B > 5000mm**

4x  
6,3x35mm  
3Nm

4x  
6,3x15mm  
3Nm

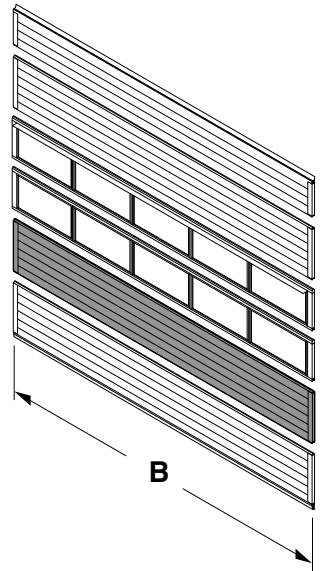
10x  
6,3x35mm  
3Nm

2x  
6,3x25mm  
3Nm



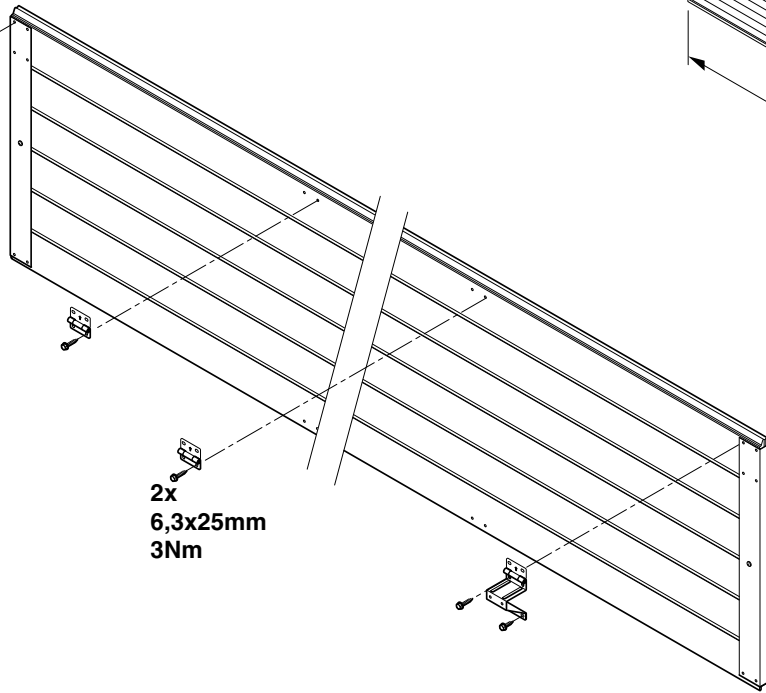
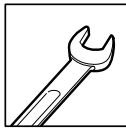
10x  
6,3x35mm  
3Nm

**B < 5000mm**



2x  
6,3x35mm  
3Nm

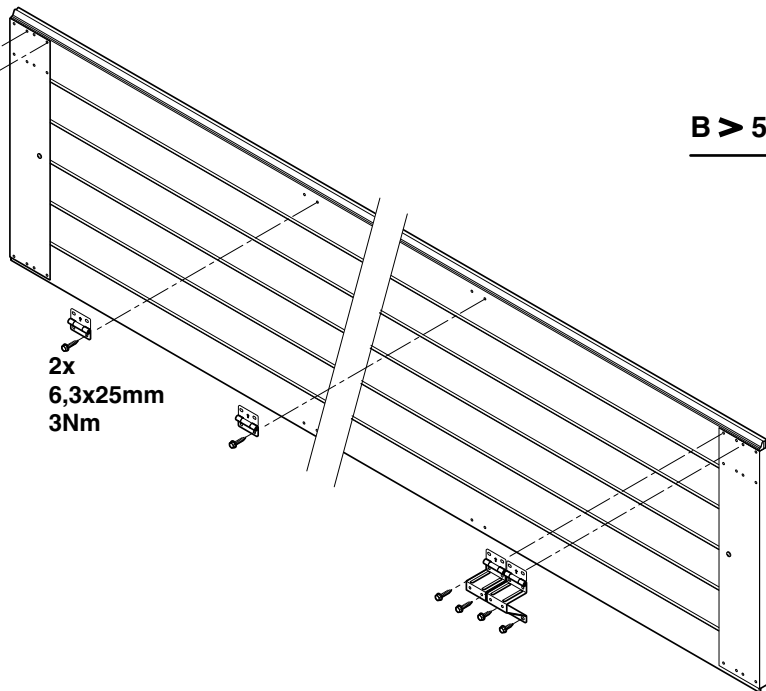
2x  
6,3x15mm  
3Nm



2x  
6,3x25mm  
3Nm

4x  
6,3x35mm  
3Nm

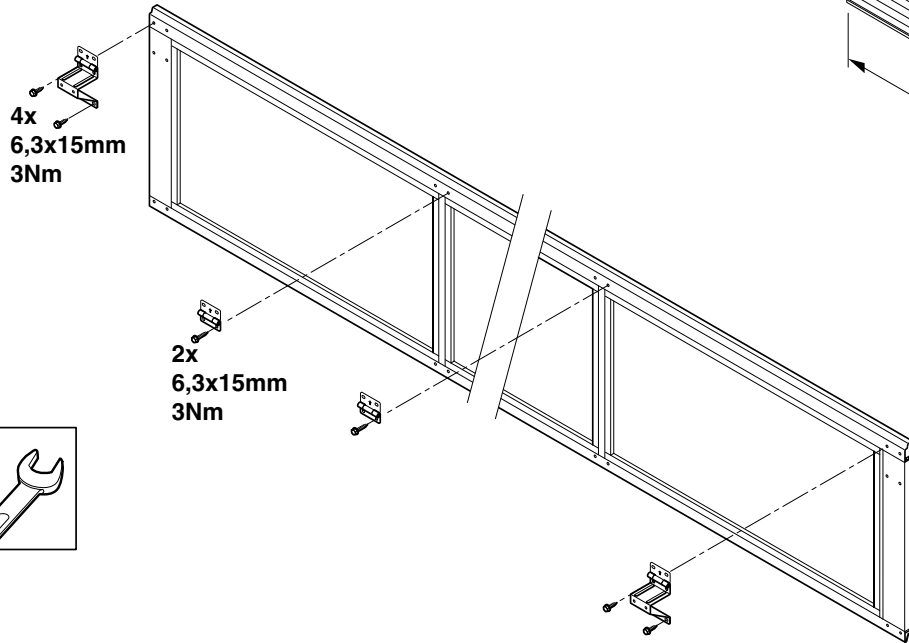
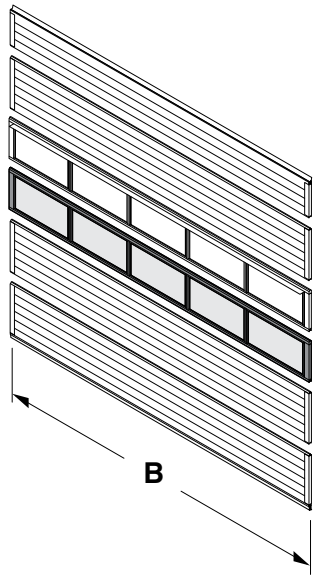
4x  
6,3x15mm  
3Nm



2x  
6,3x25mm  
3Nm

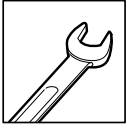
**B > 5000mm**

**B < 5000mm**

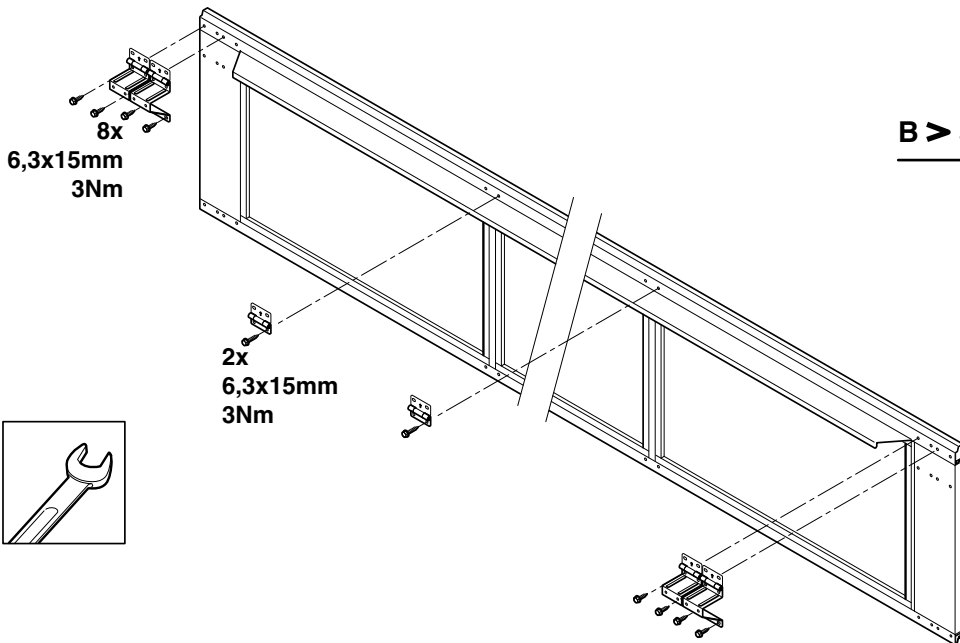


4x  
6,3x15mm  
3Nm

2x  
6,3x15mm  
3Nm

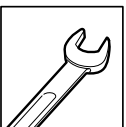


**B > 5000mm**

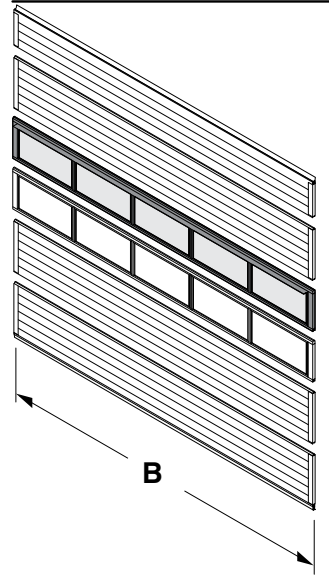


8x  
6,3x15mm  
3Nm

2x  
6,3x15mm  
3Nm

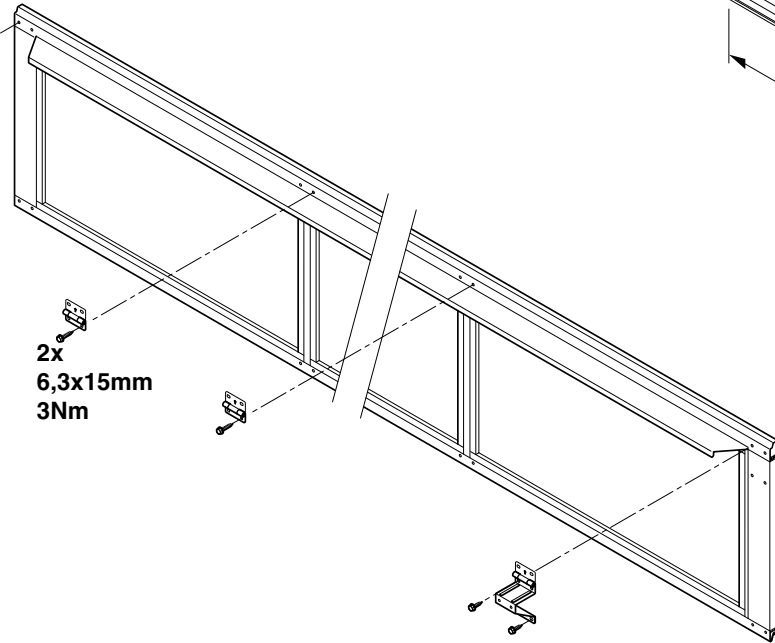
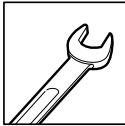


**B < 5000mm**



4x  
6,3x15mm  
3Nm

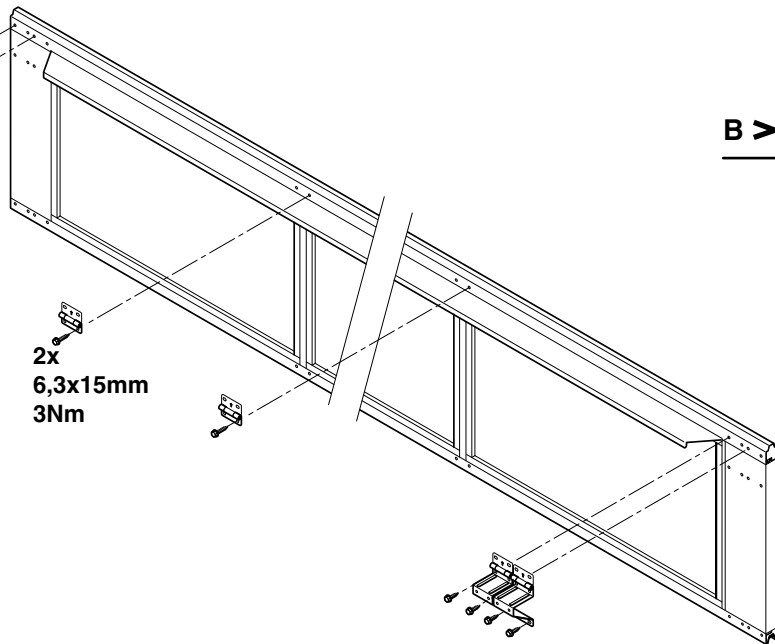
2x  
6,3x15mm  
3Nm



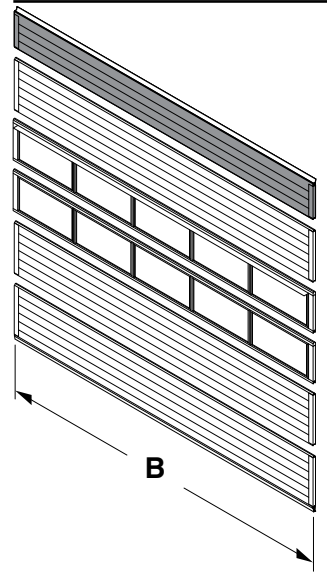
**B > 5000mm**

8x  
6,3x15mm  
3Nm

2x  
6,3x15mm  
3Nm

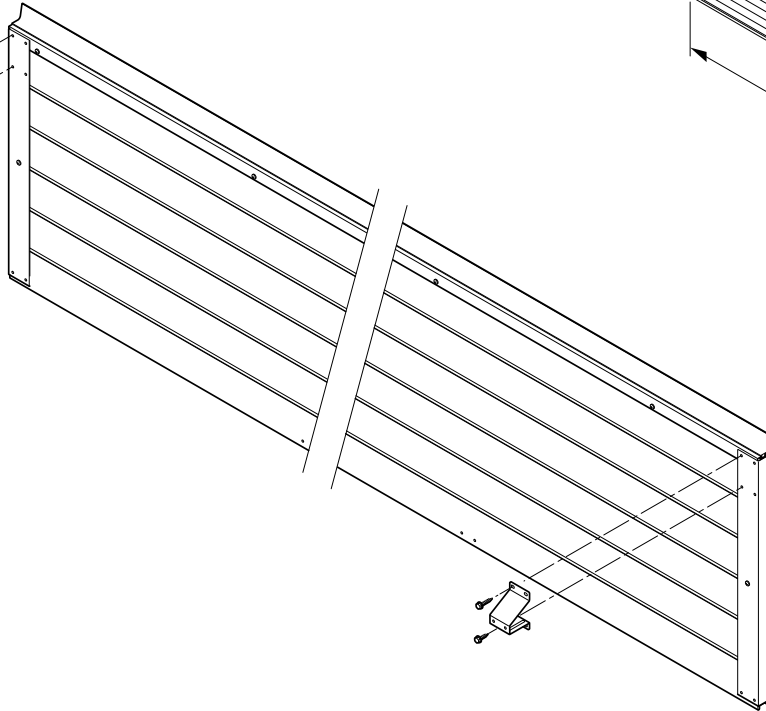


**B < 5000mm**



2x  
6,3x35mm  
3Nm

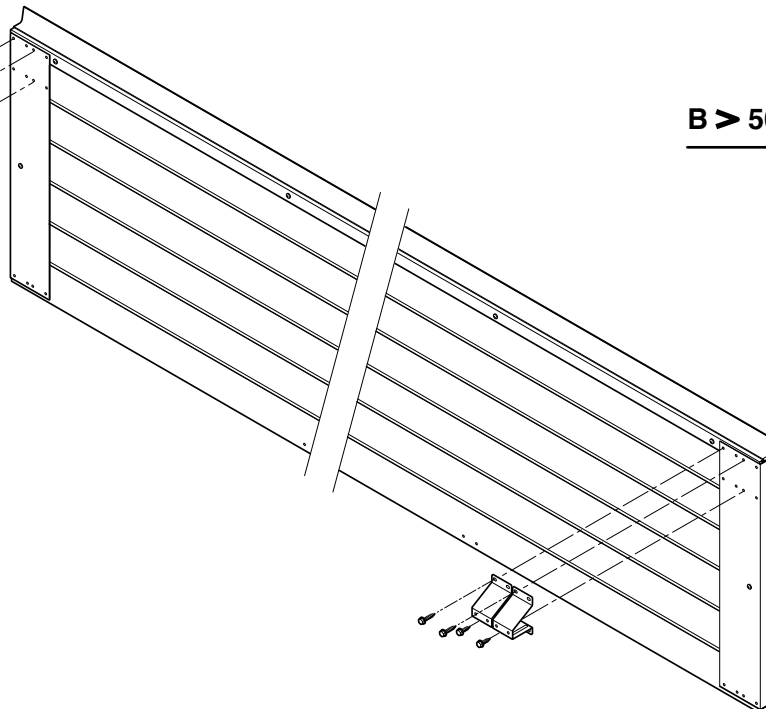
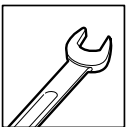
2x  
6,3x15mm  
3Nm



**B > 5000mm**

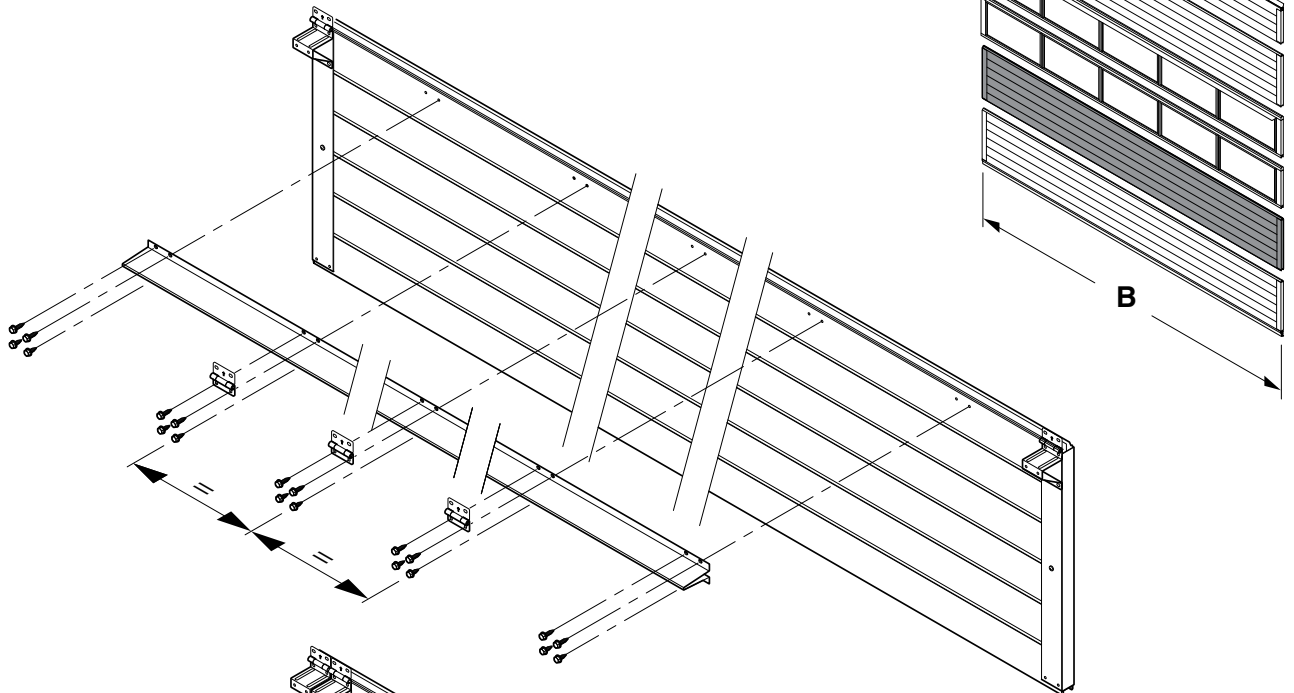
4x  
6,3x35mm  
3Nm

4x  
6,3x15mm  
3Nm

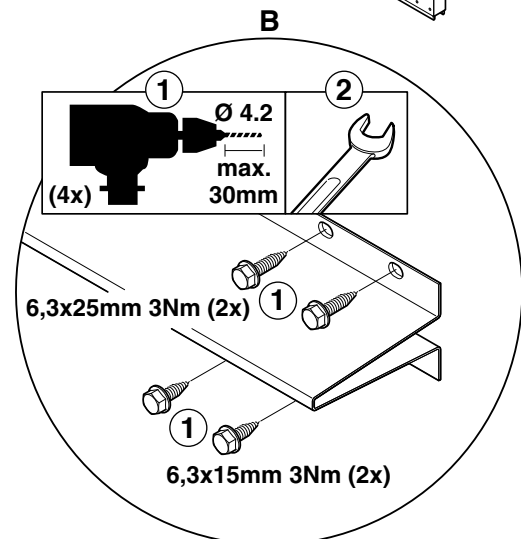
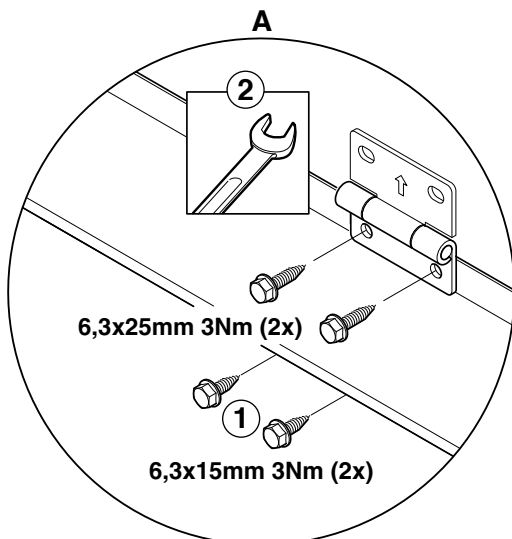
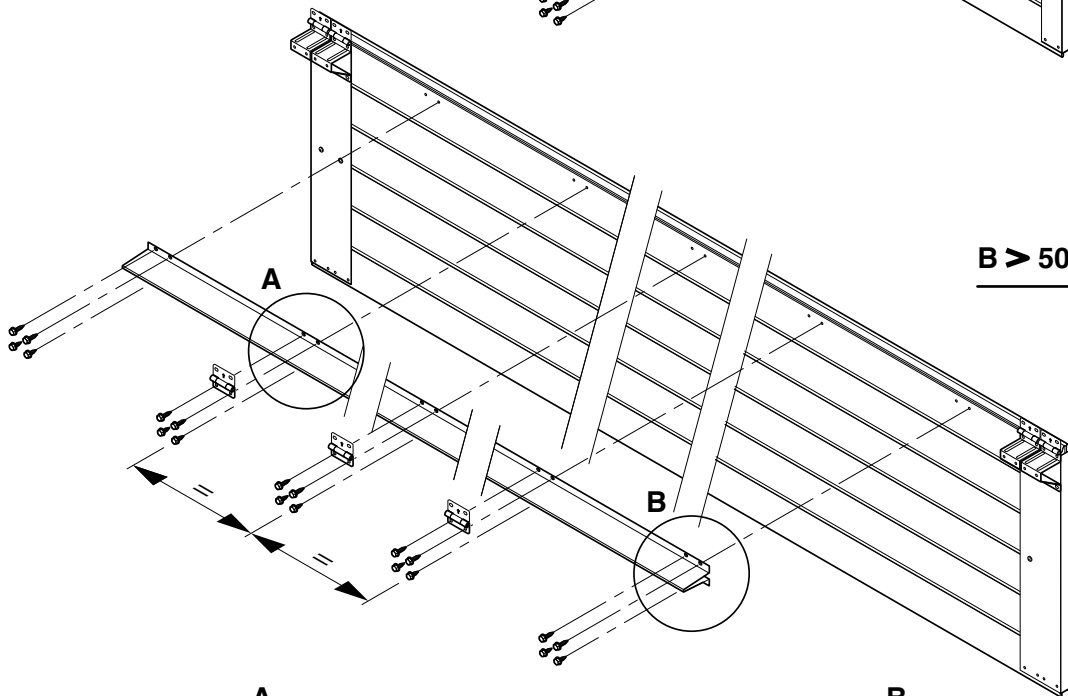




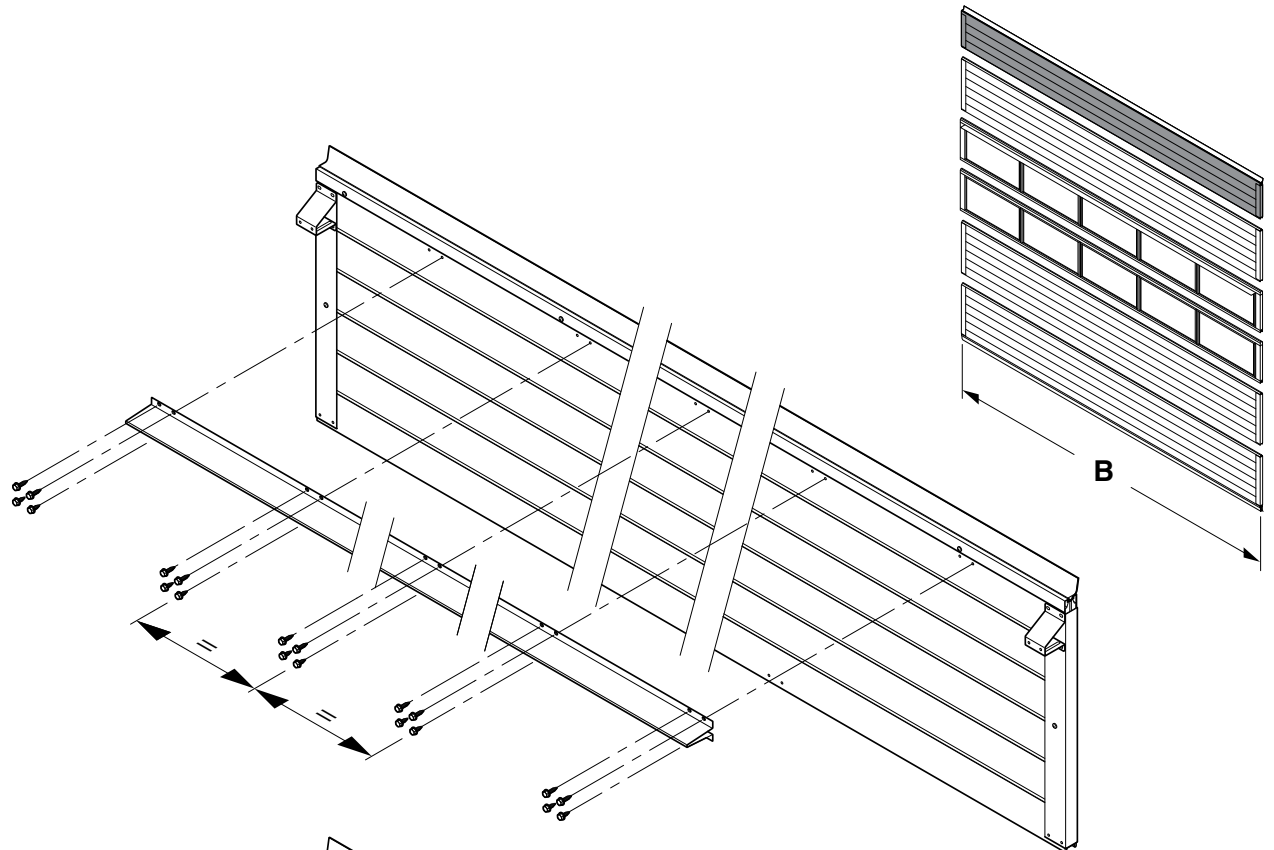
**B < 5000mm**



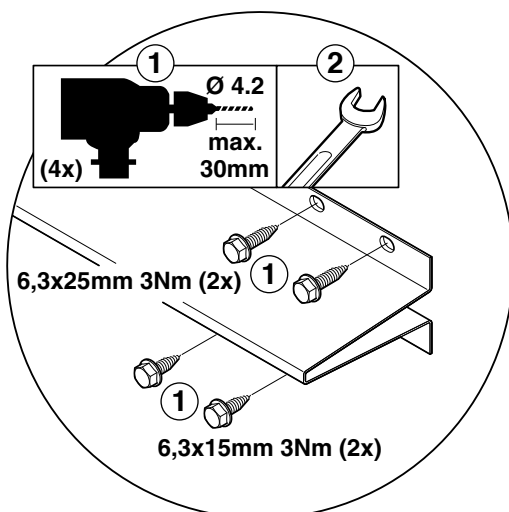
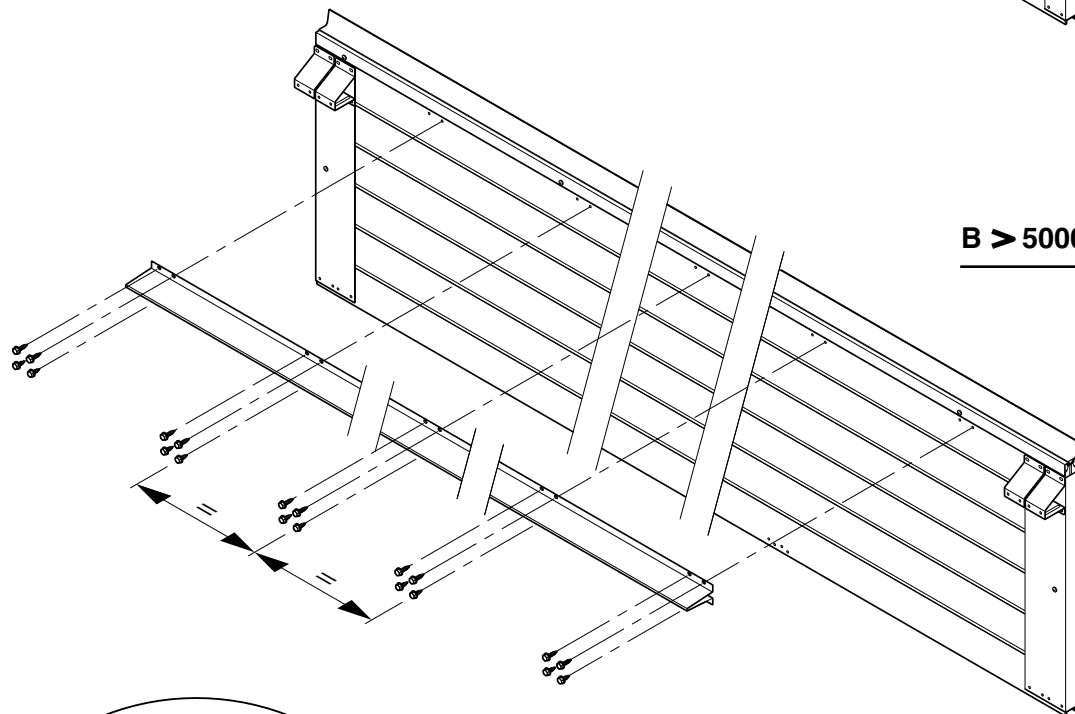
**B > 5000mm**

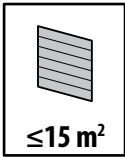


**B < 5000mm**



**B > 5000mm**

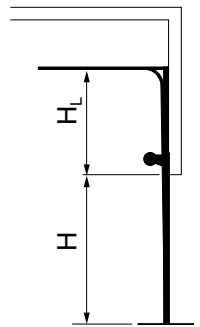
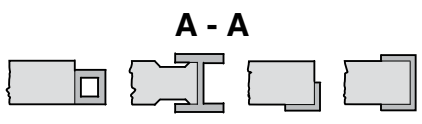
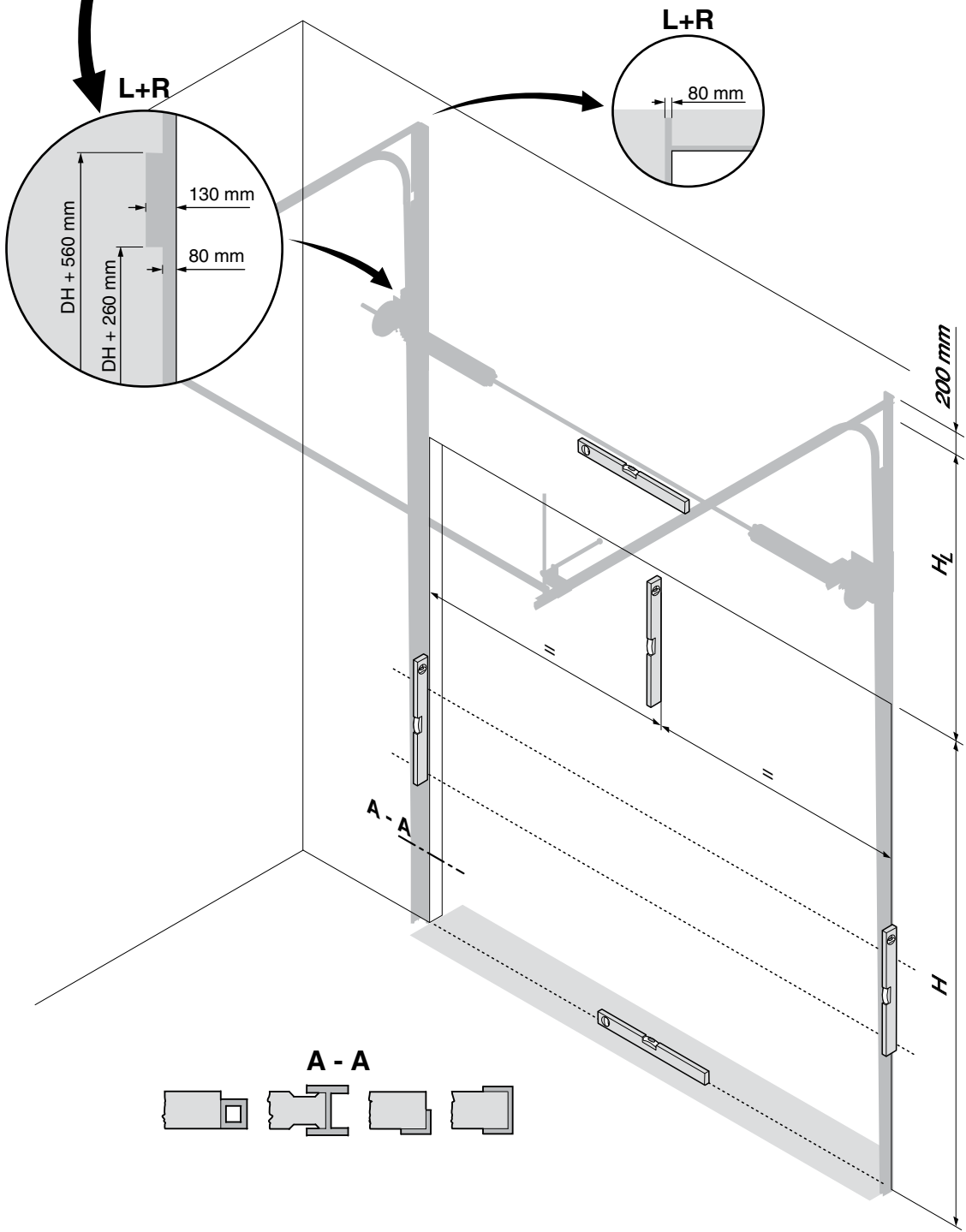
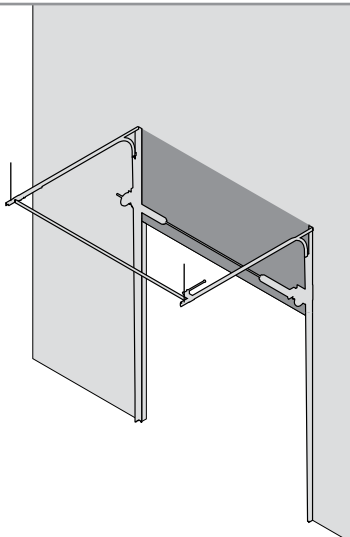


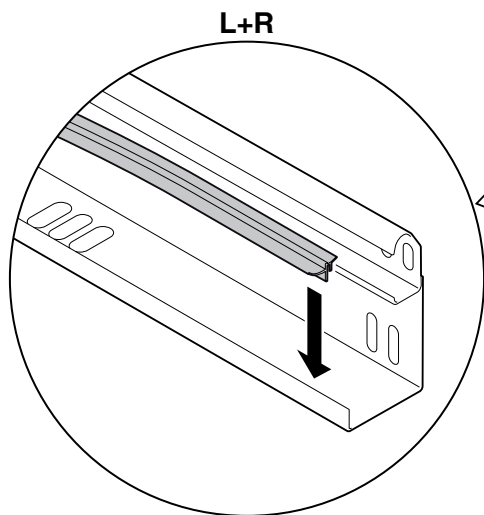
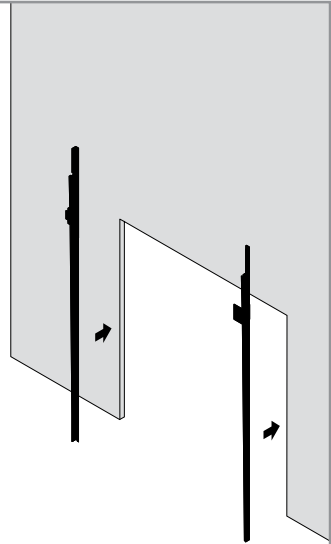
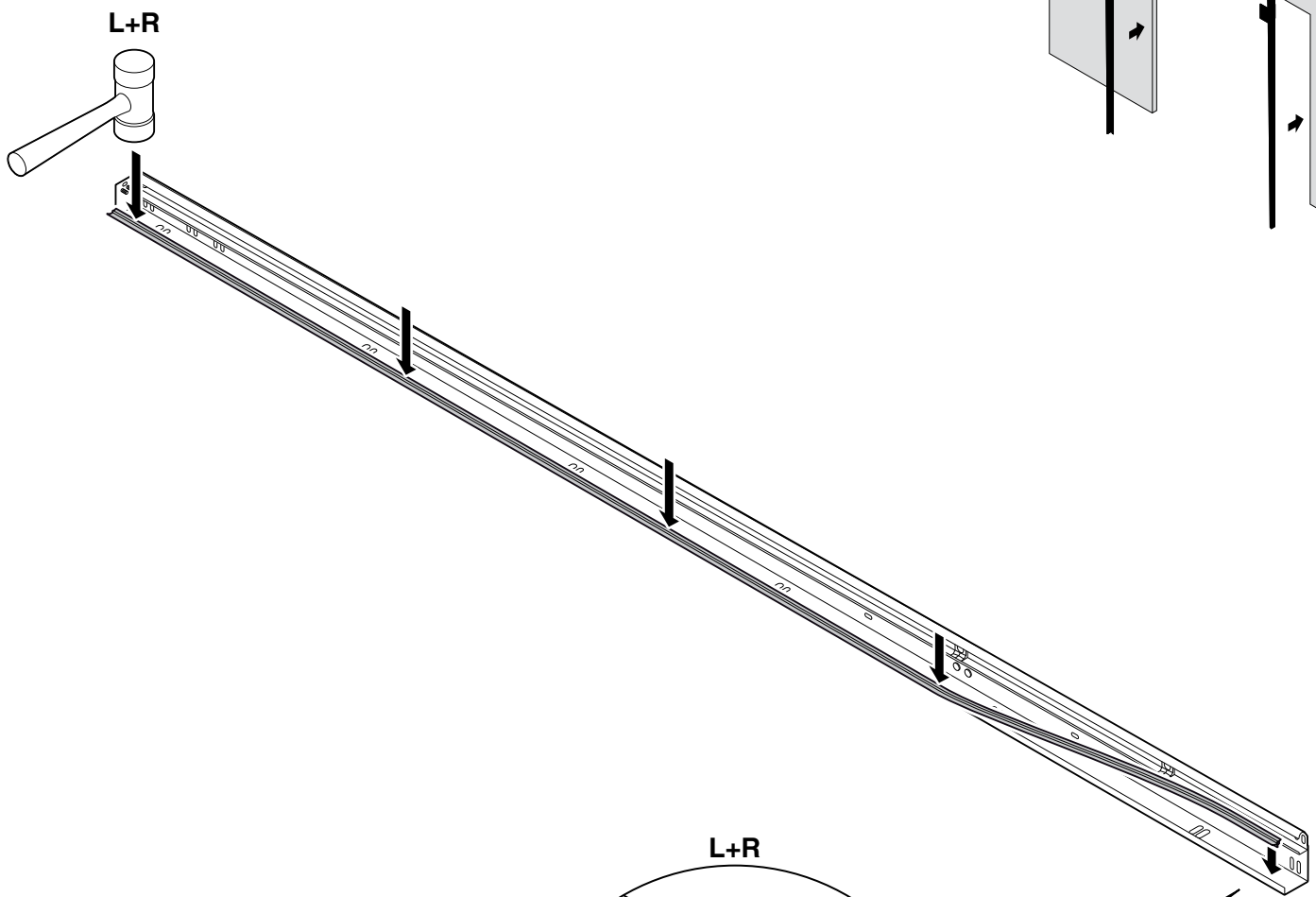


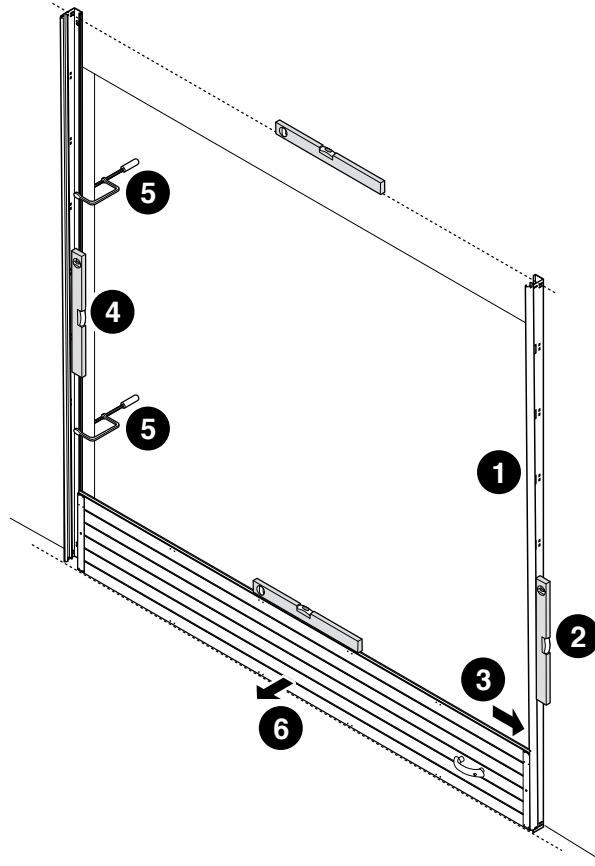
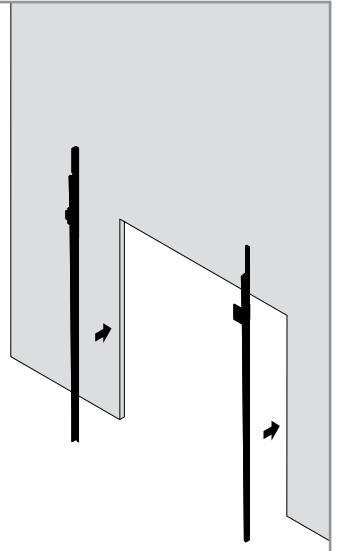
1

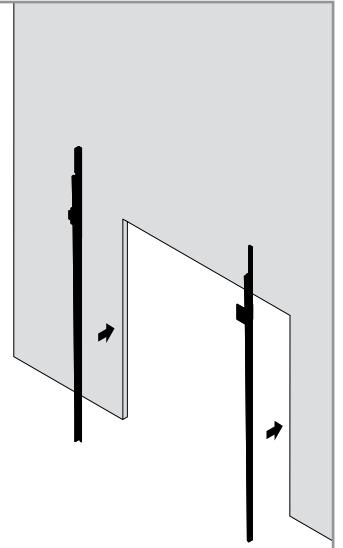
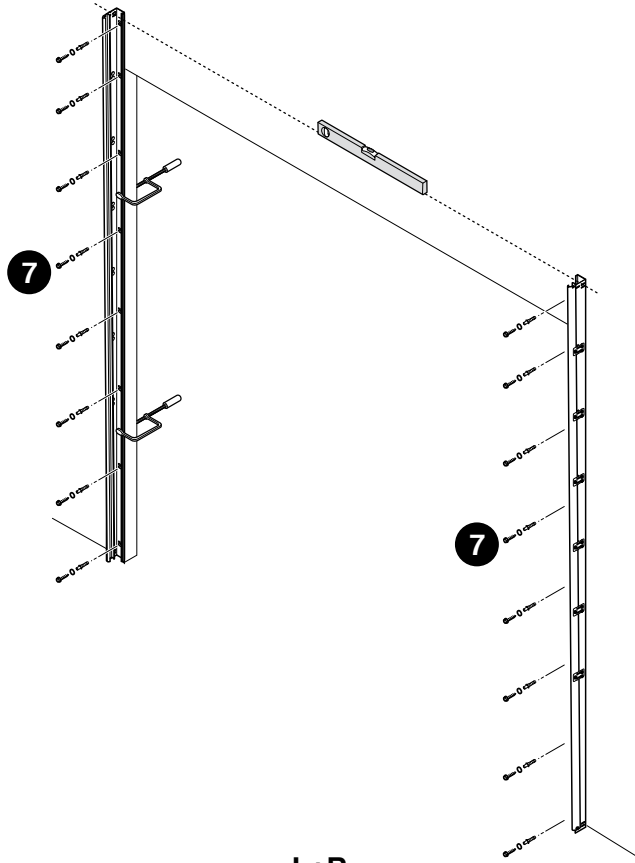
Informationen zur Kontrolle des Torpakets und zur Torrmontage  
 Informatie voor controle deurpakket en deurmontage  
 Informations pour contrôle colis et montage de la porte  
 Information for checking the door package and for door fitment

1. Kuntpakket: Sie das Torpaket auf Schäden und Beschädigungen.  
 1. Controleer pakket op beschadigingen: let vooral op beschadigingen aan de randen, scharnieren en geluiddempende elementen.  
 1. Vérifier le colis: vérifiez l'état des bordures, des charnières et des éléments d'isolation acoustique.
 1. Check the door package for damage and contamination.
2. Kuntpakket: Sie den vollständigen Montagebereich.  
 2. Controleer de volledige montagezone.  
 2. Vérifier l'état complet de l'ensemble de montage.  
 2. Check the complete mounting area against the details in the product data sheet.
3. Anker (Unterstützen) an die Füllung zu setzen.  
 3. Anker steunen op de vulling te plaatsen.  
 3. Visser d'ancrage à installer sur le remplissage.  
 3. Fix the anchor (bracket) to the filling.
4. Anker (Unterstützen) an die Füllung zu setzen.  
 4. Anker steunen op de vulling te plaatsen.  
 4. Visser d'ancrage à installer sur le remplissage.  
 4. Fix the anchor (bracket) to the filling.

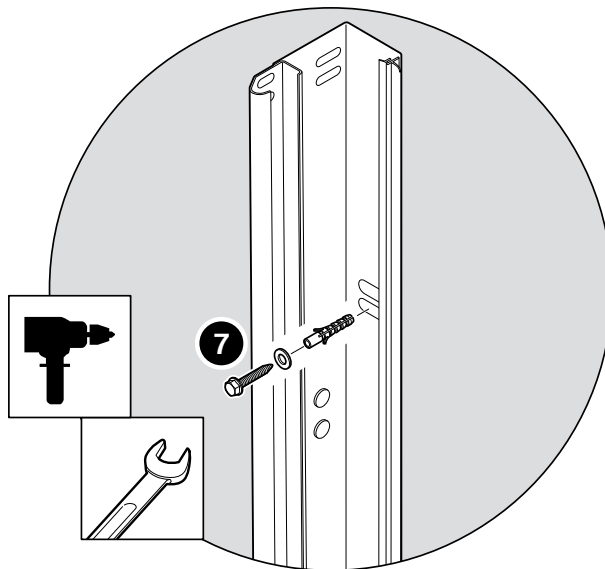


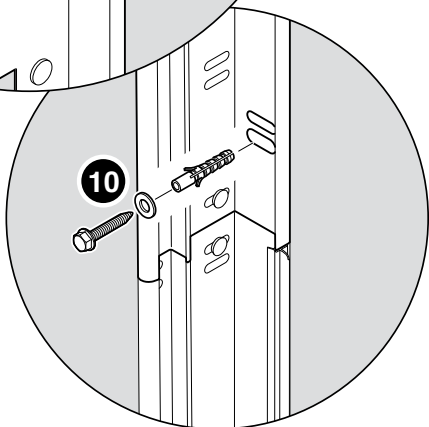
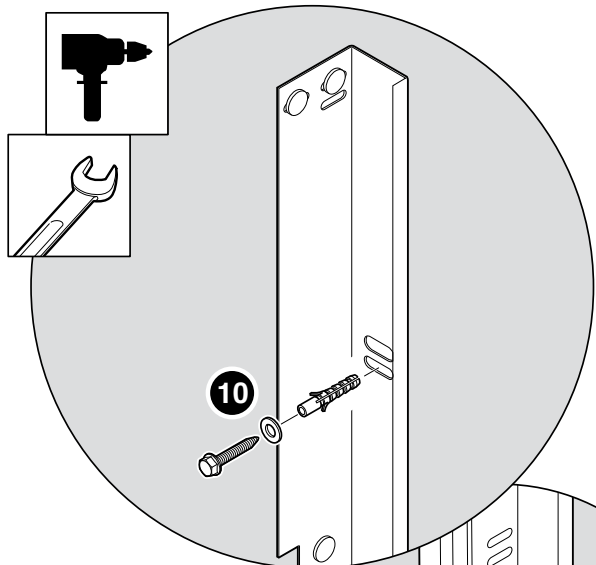
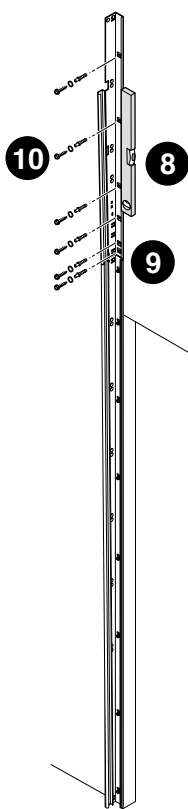
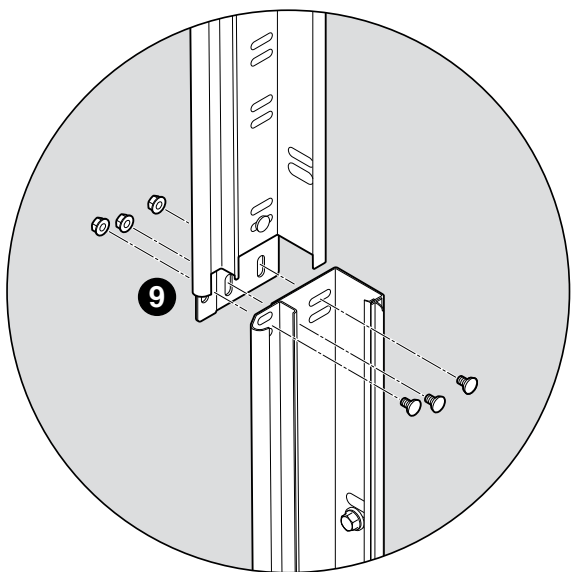
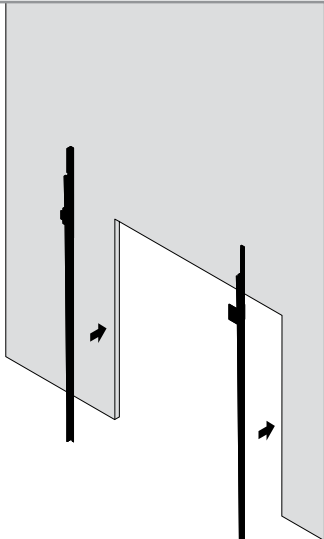


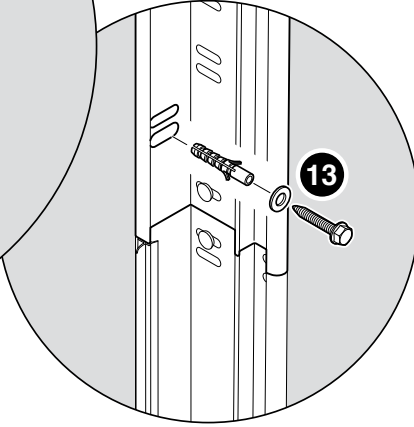
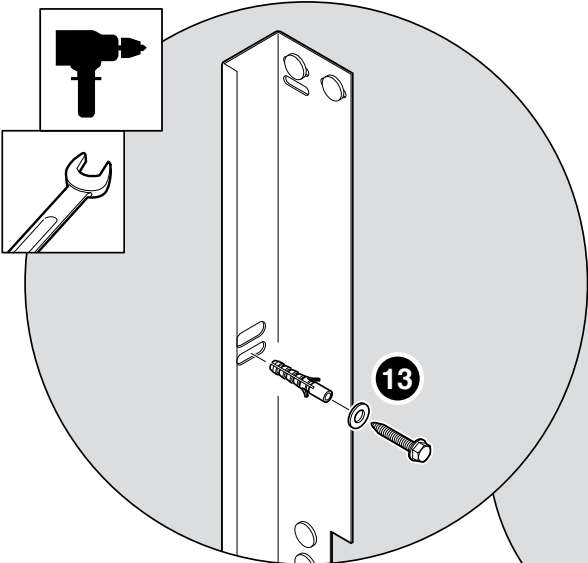
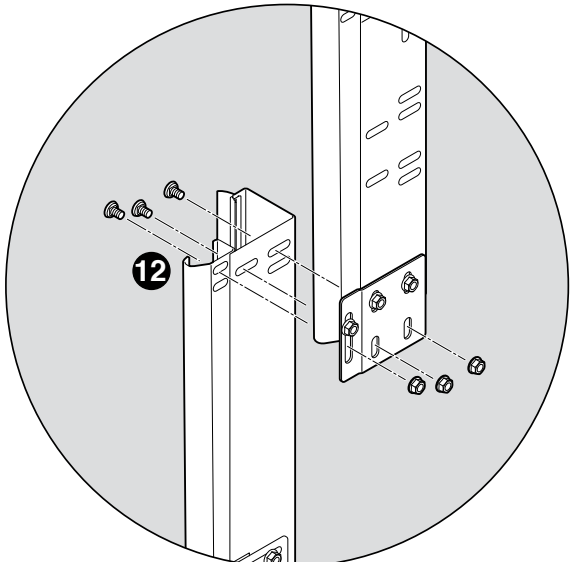
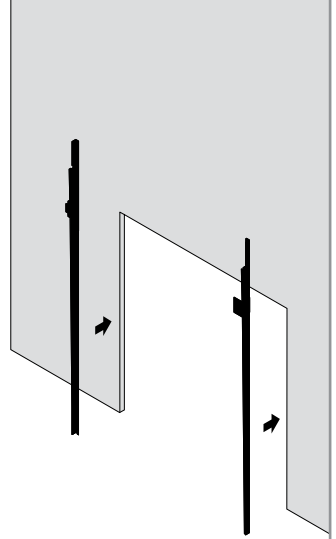
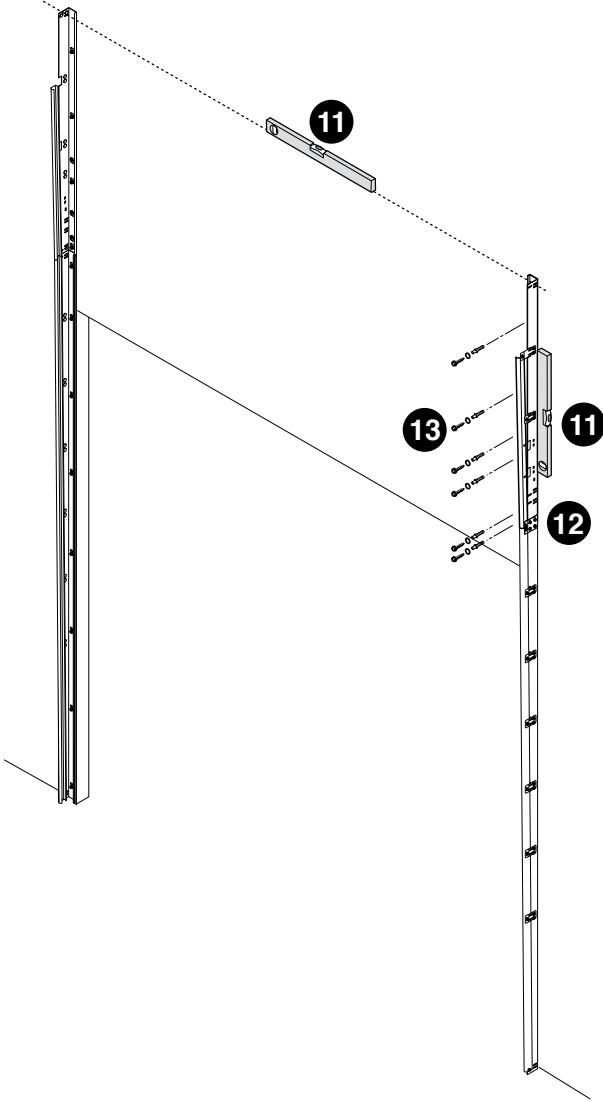




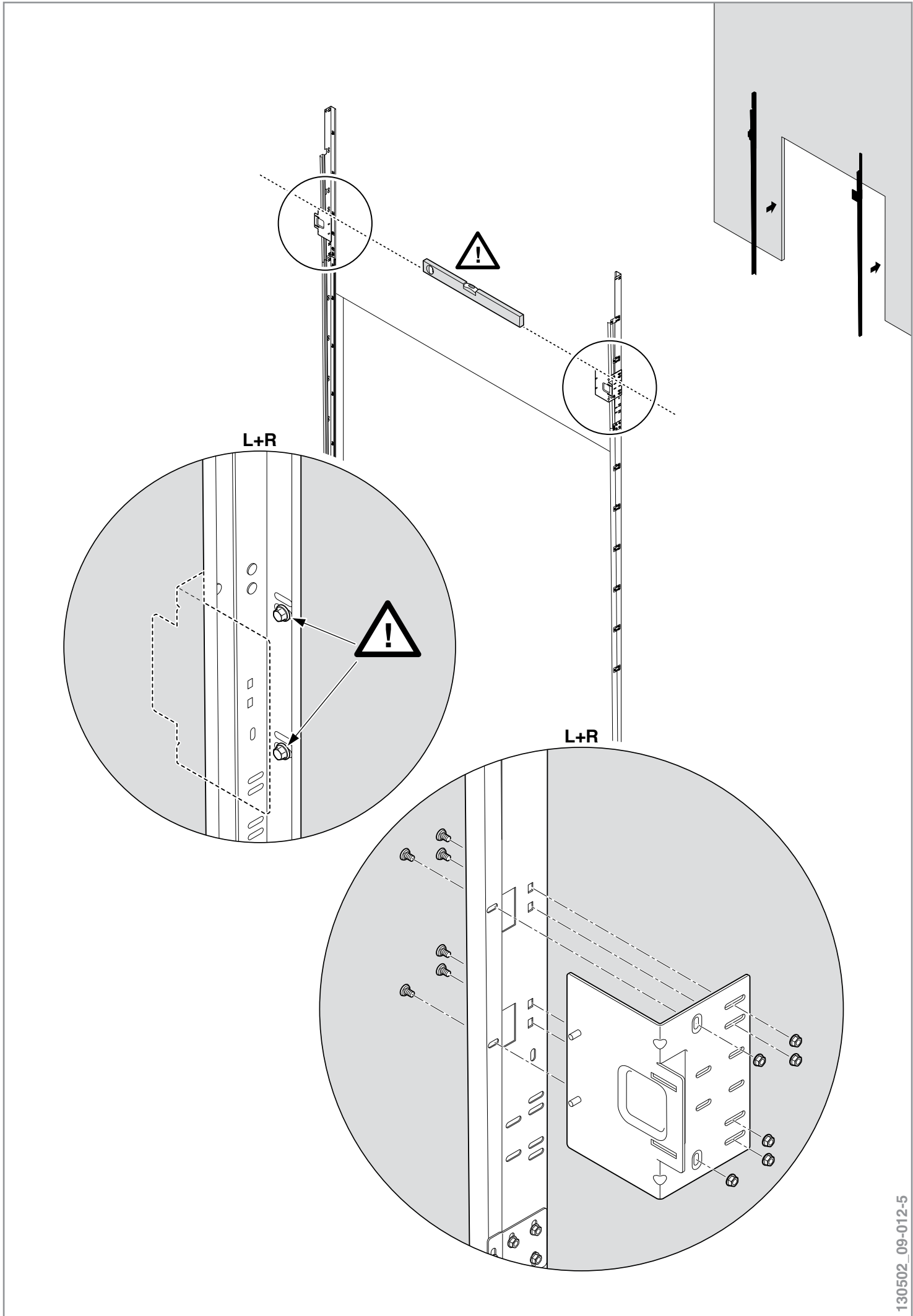
L+R

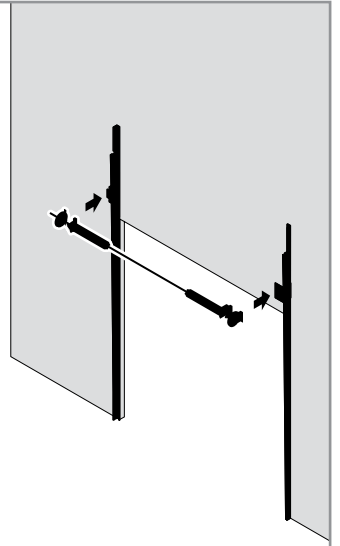
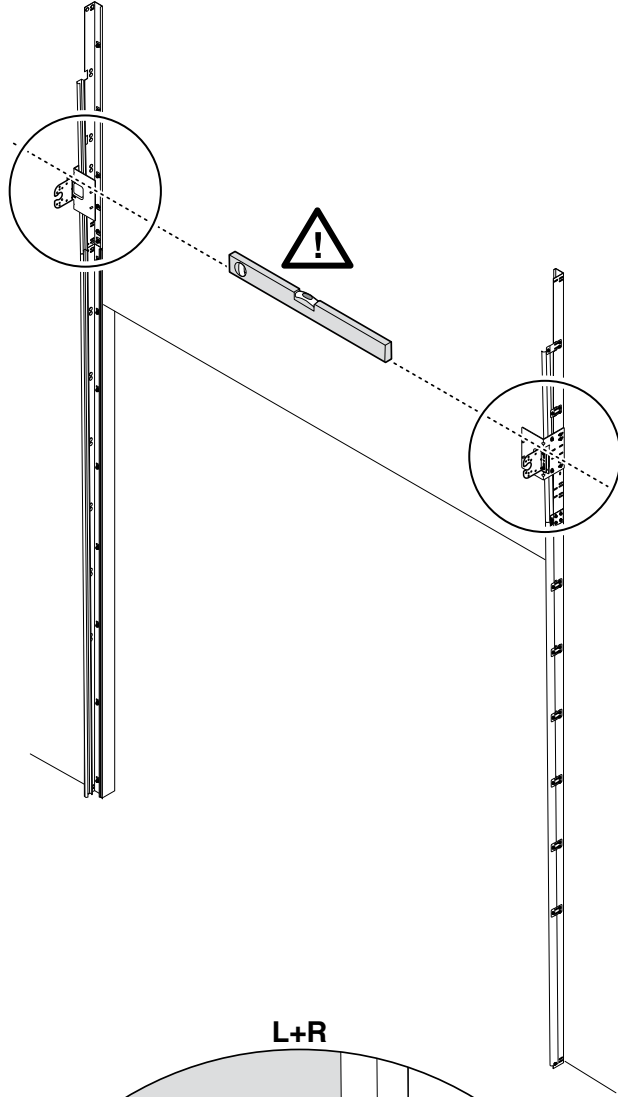
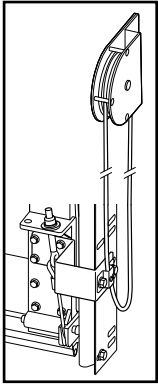




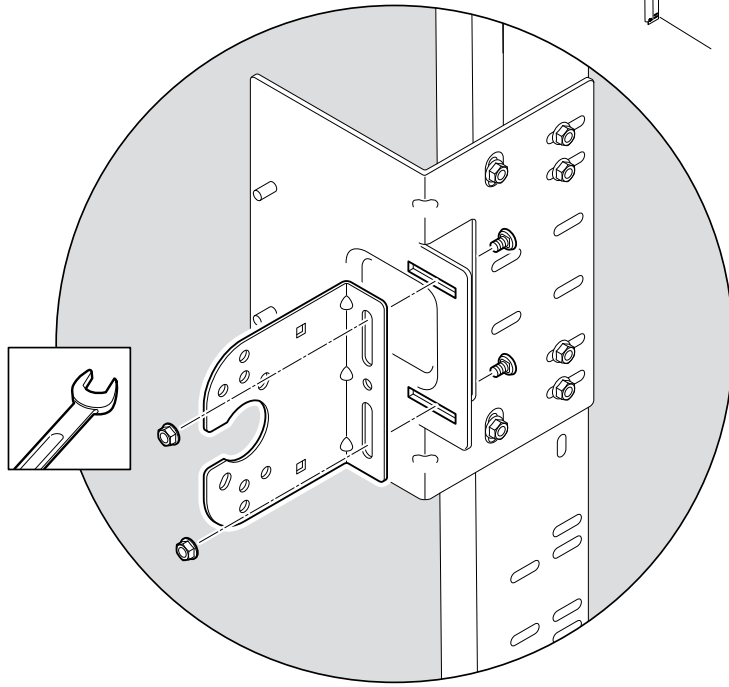


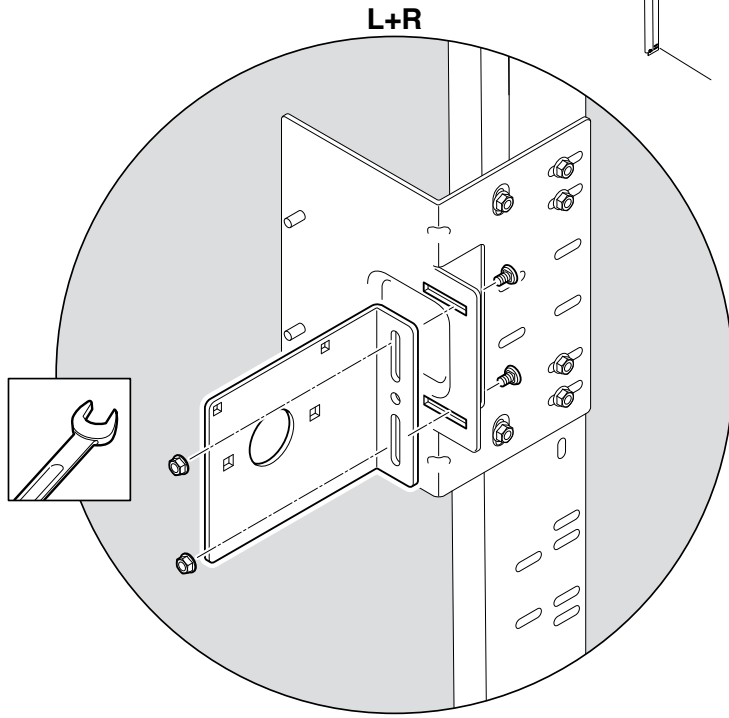
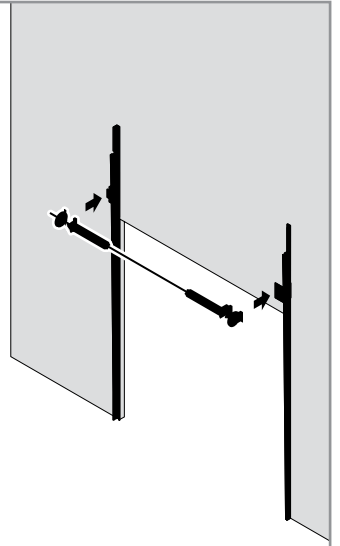
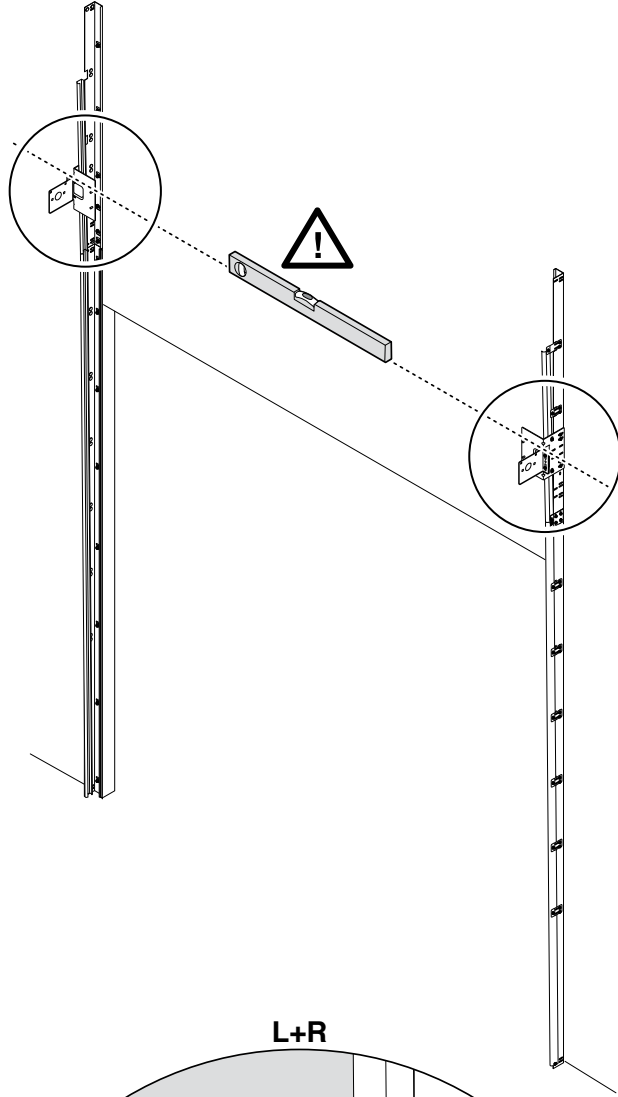
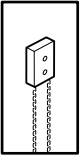


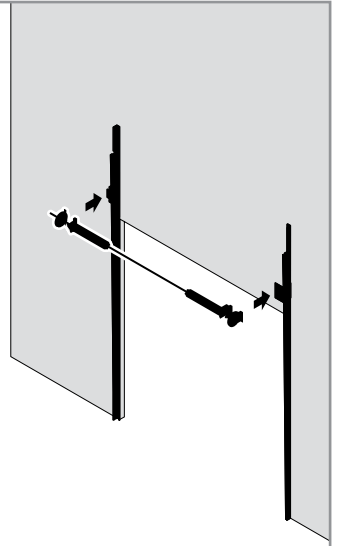
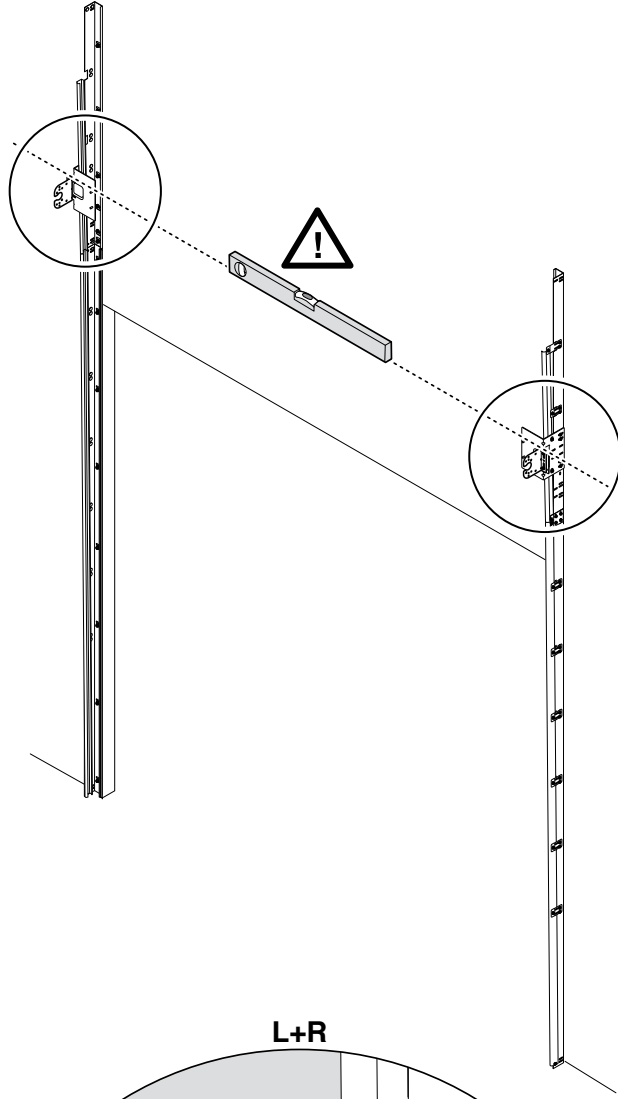
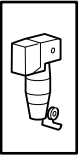




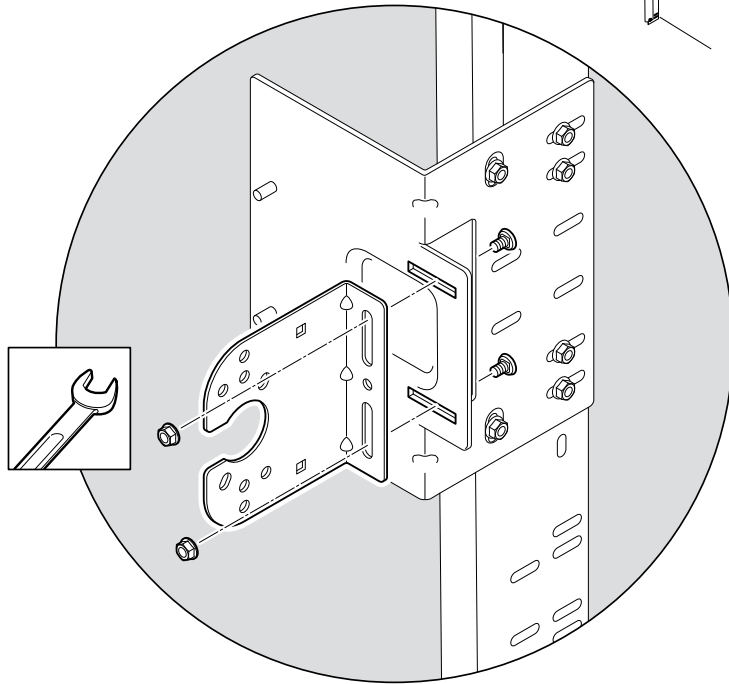
L+R

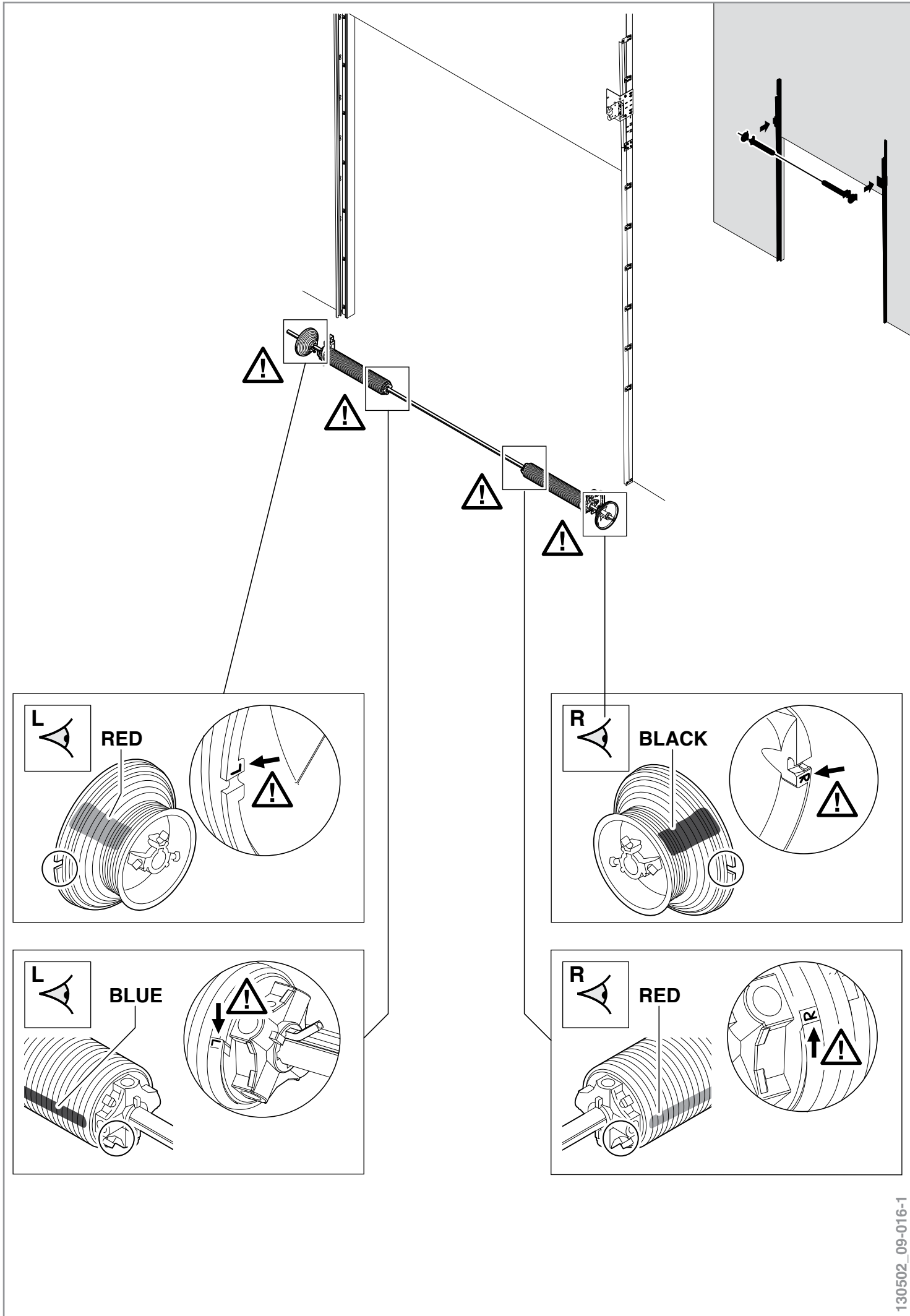


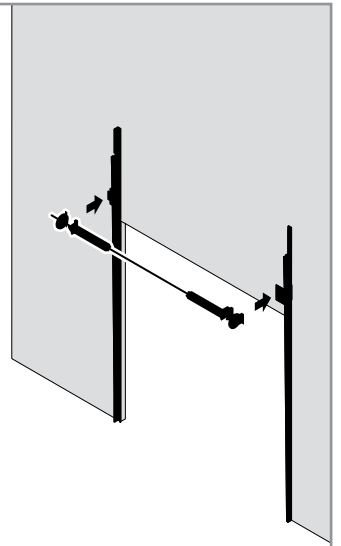
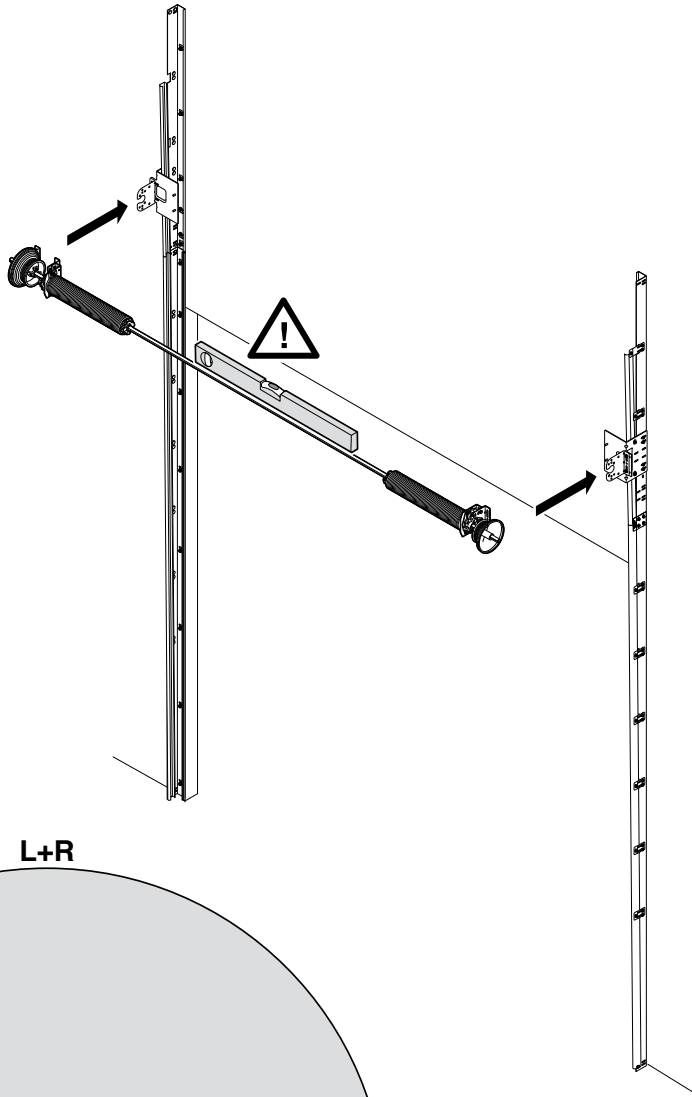
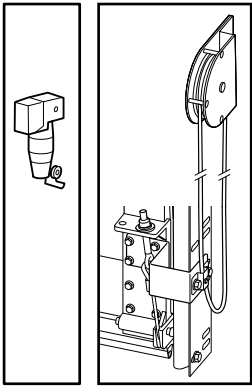




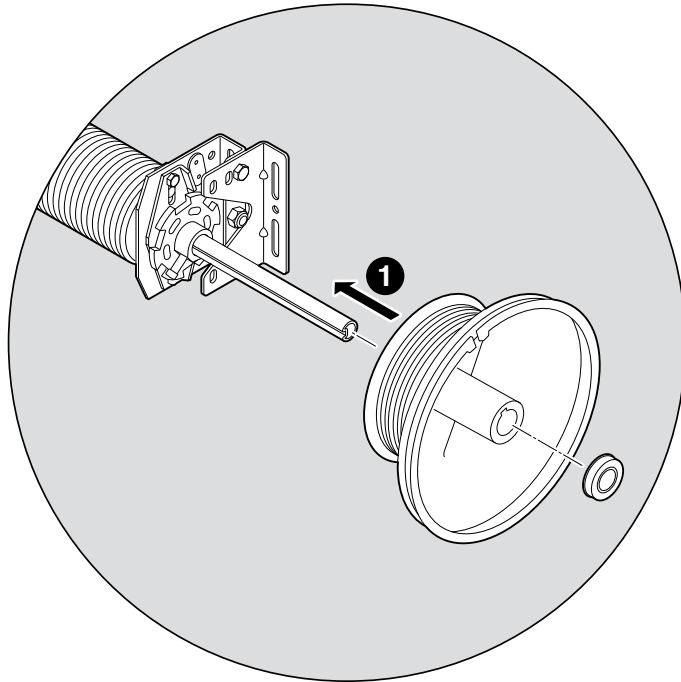
L+R



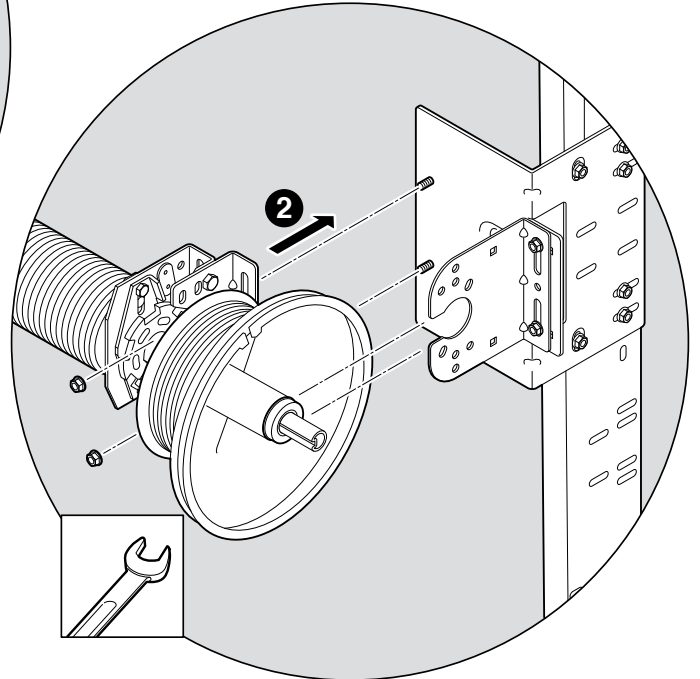


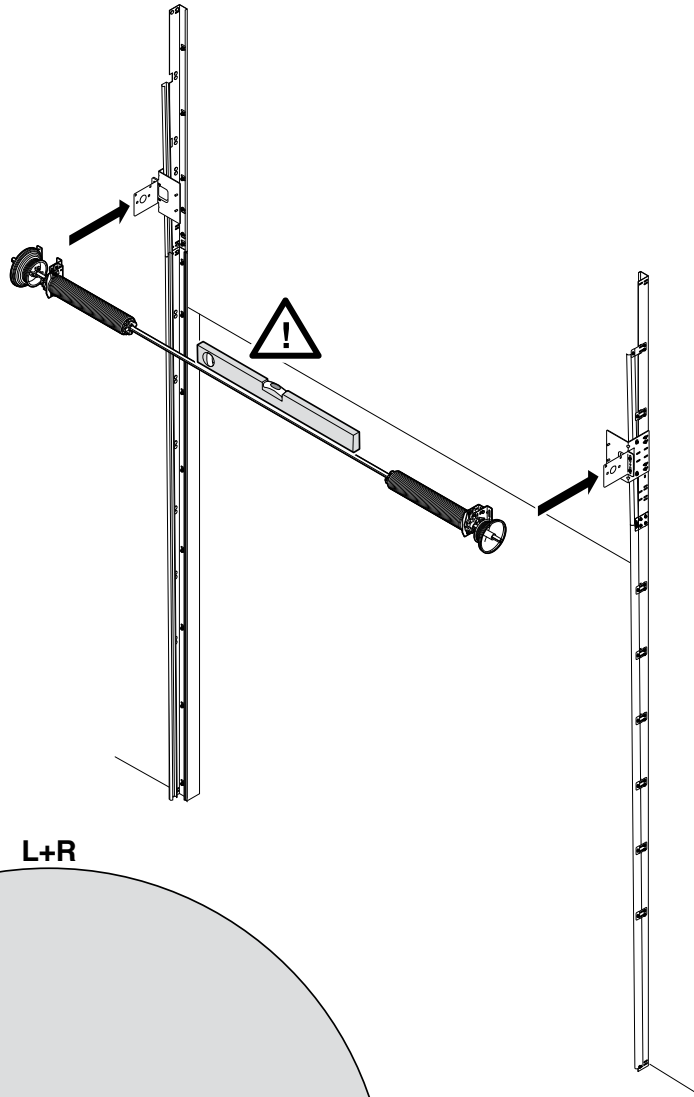
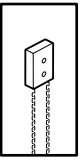


L+R

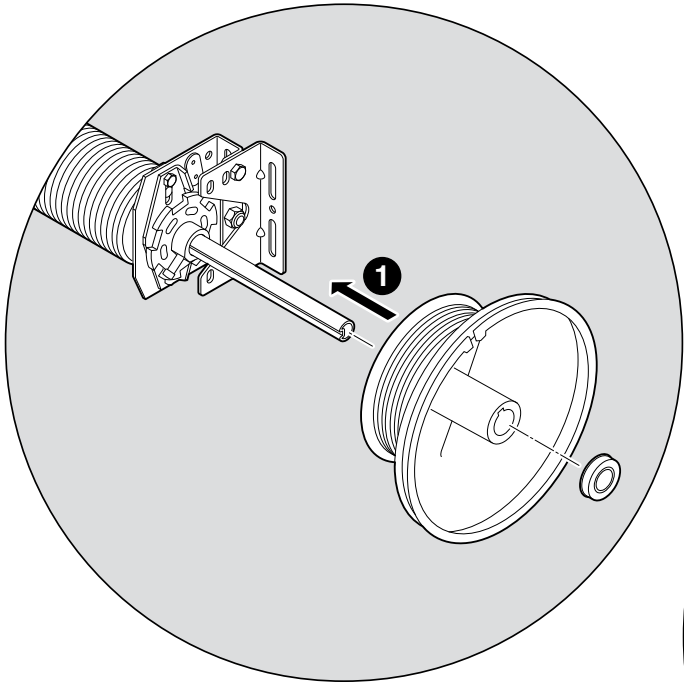


L+R

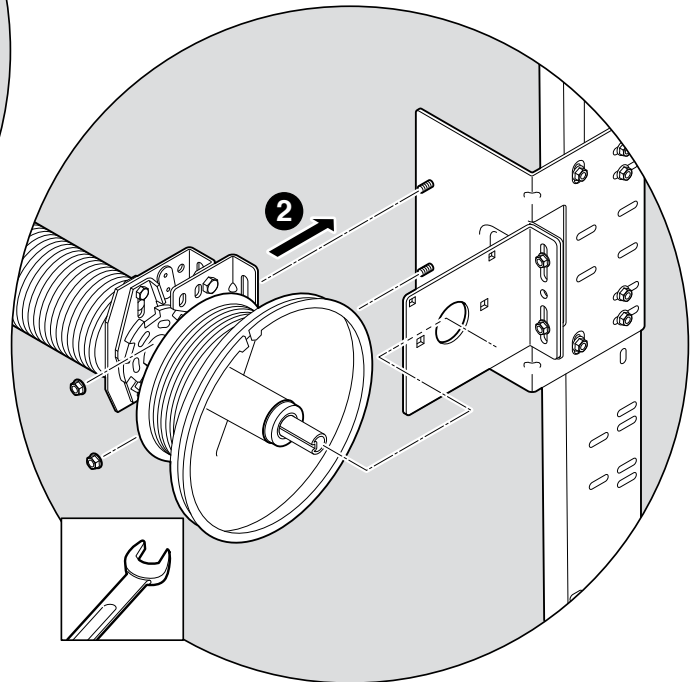


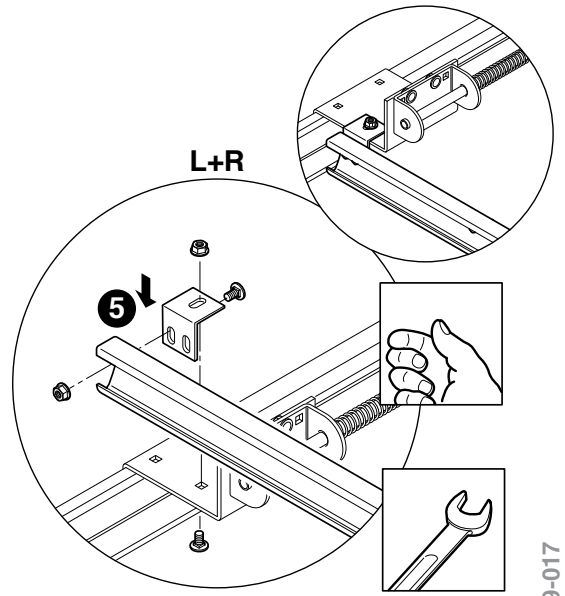
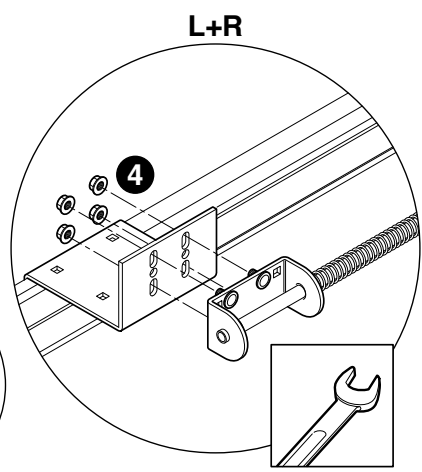
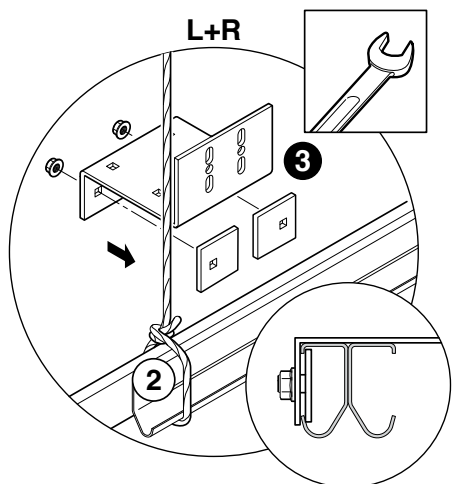
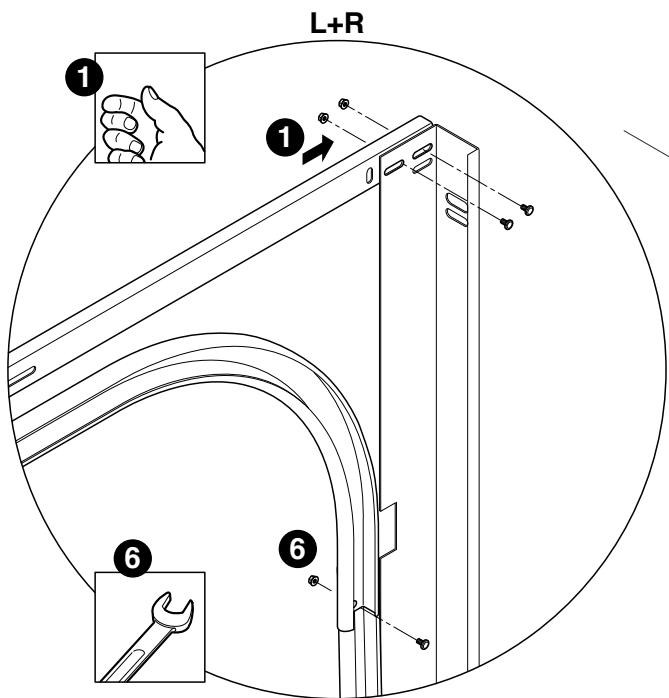
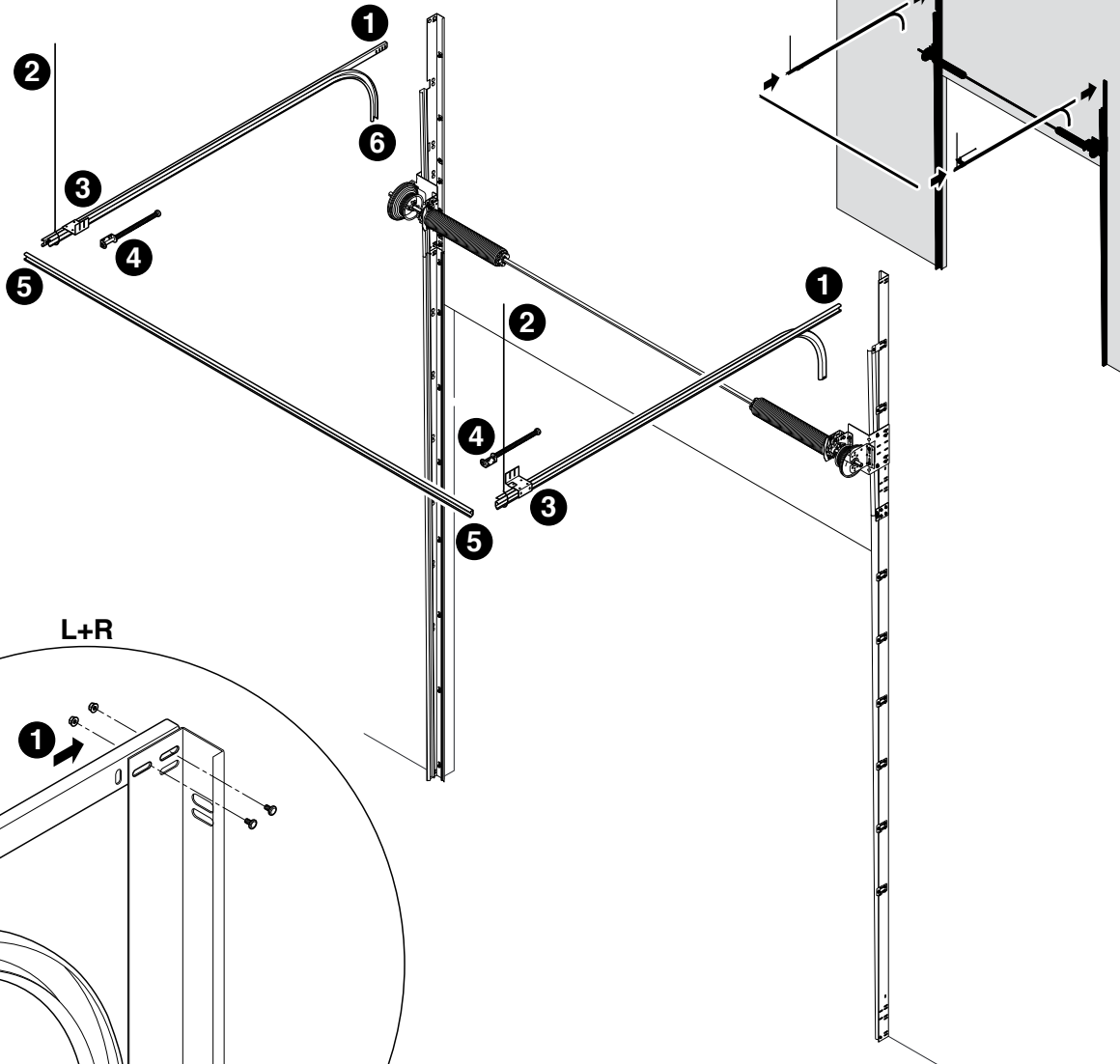


L+R

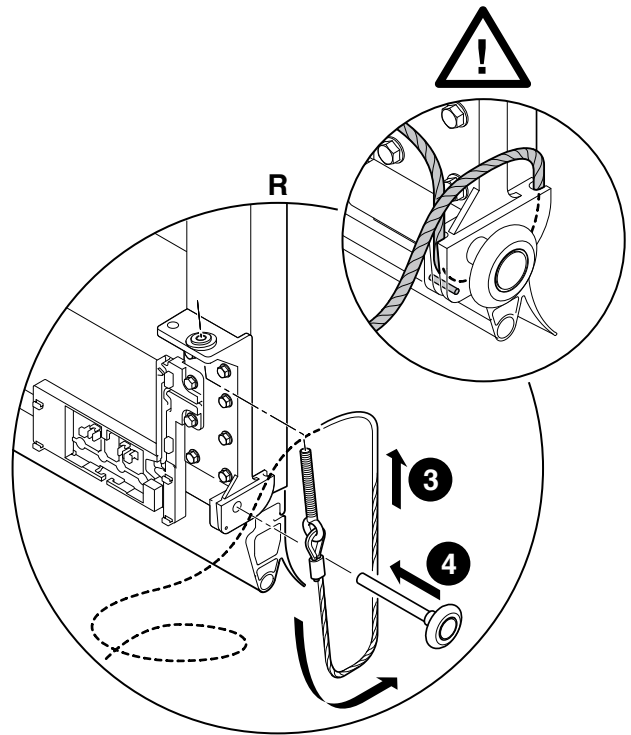
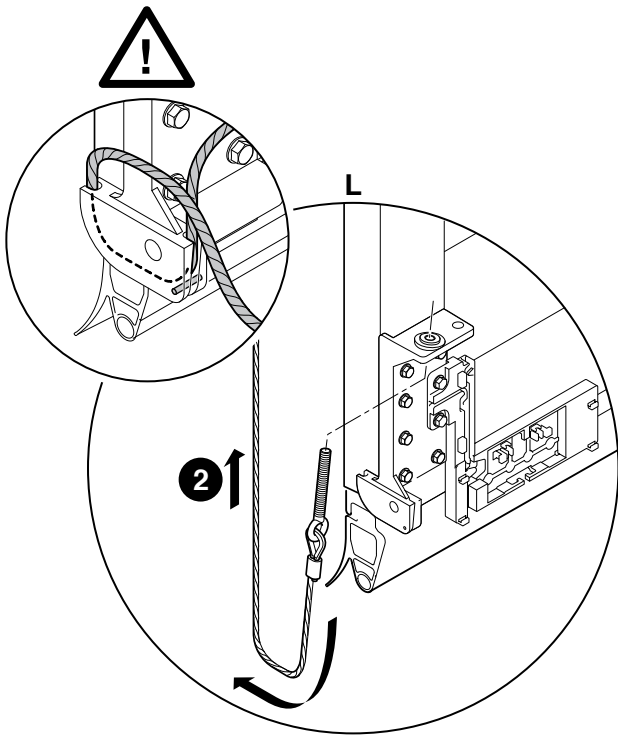
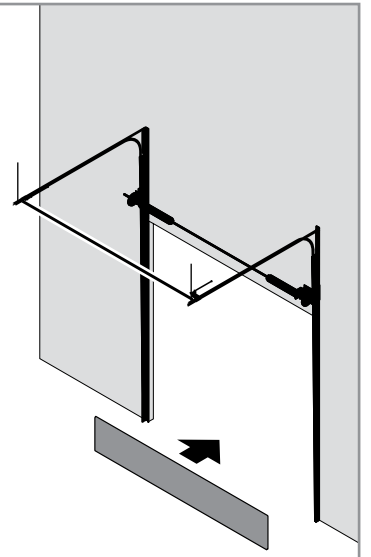
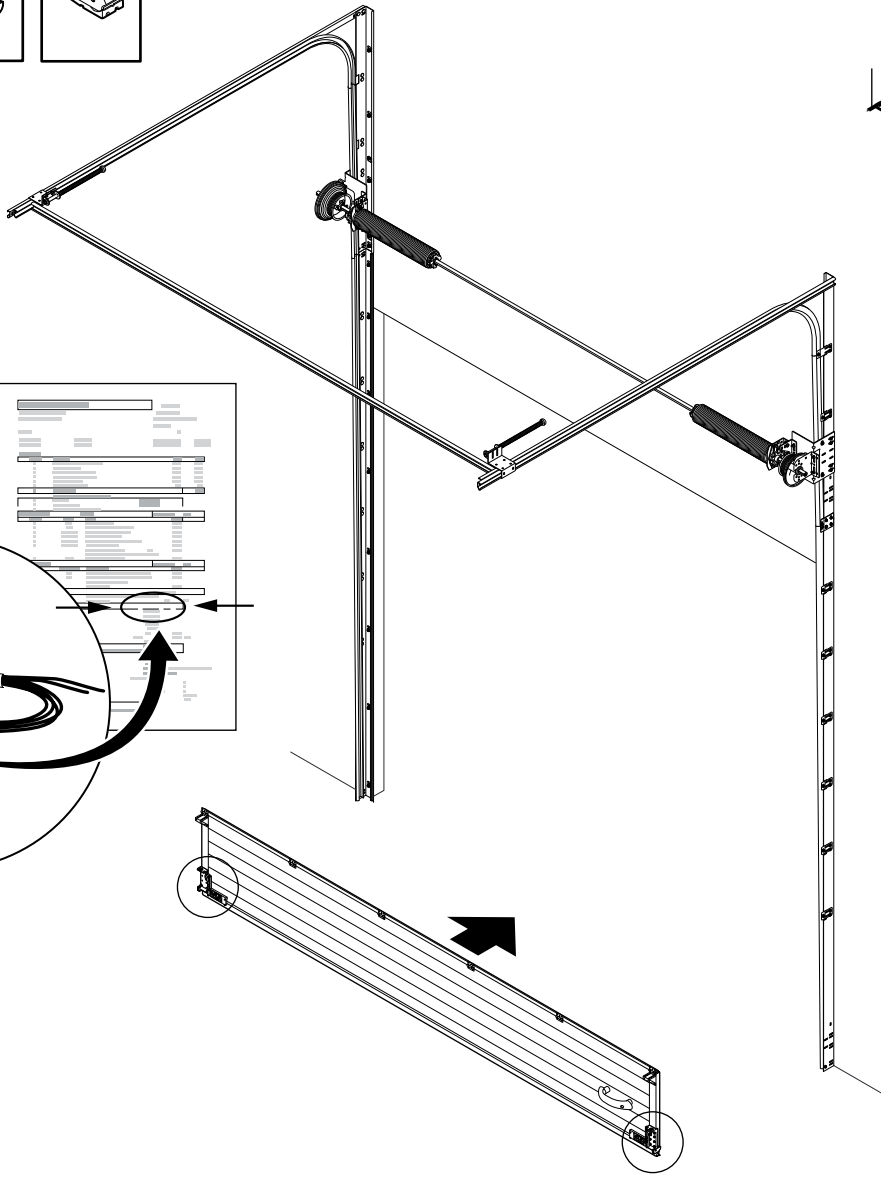
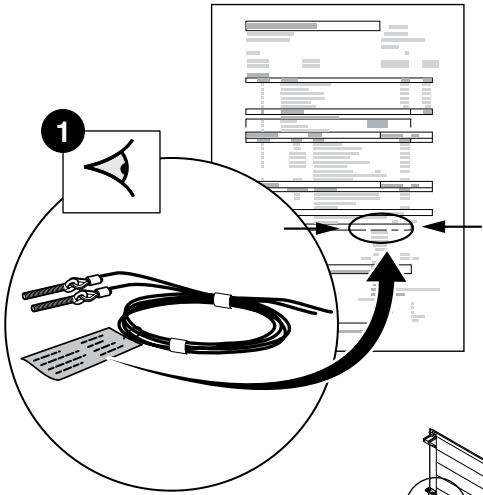
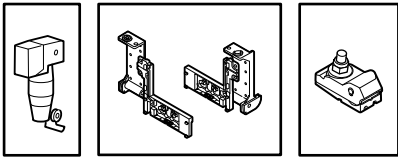


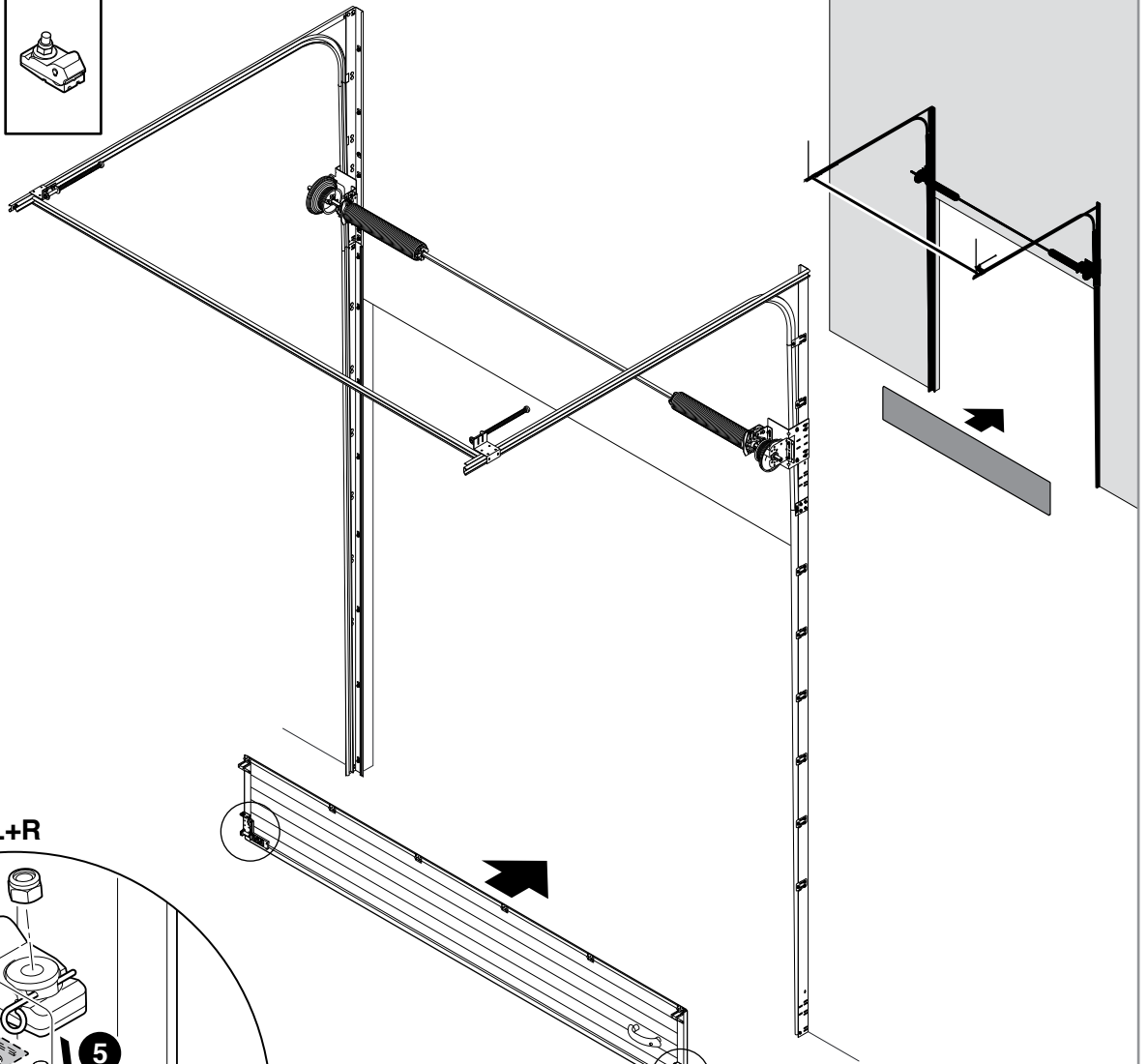
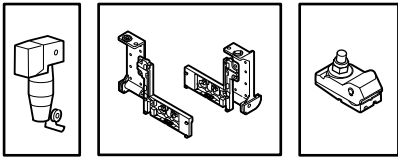
L+R



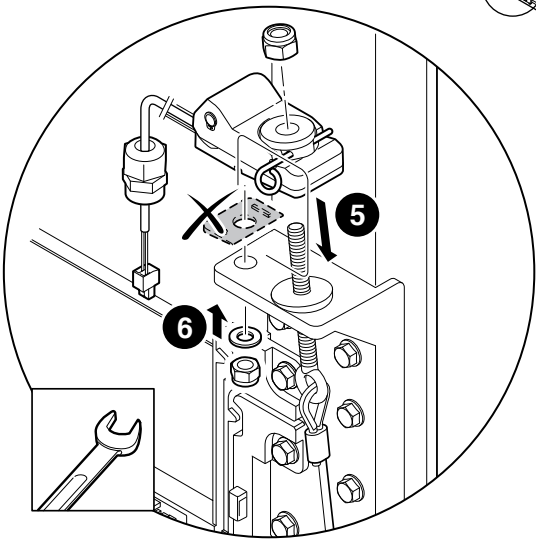




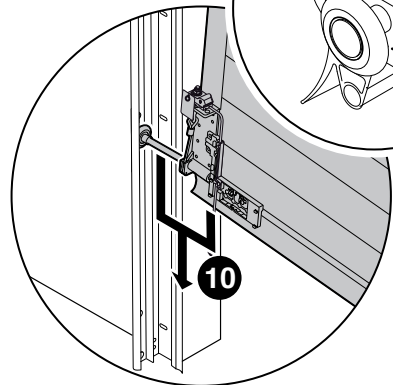
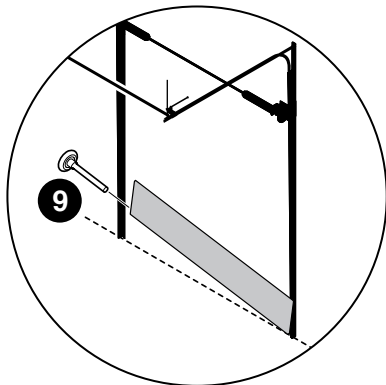
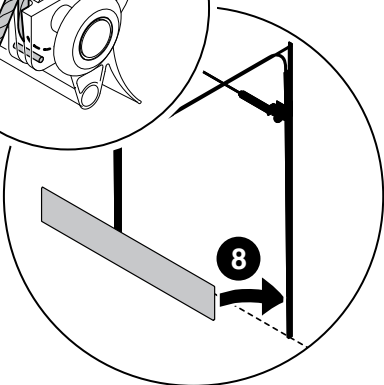
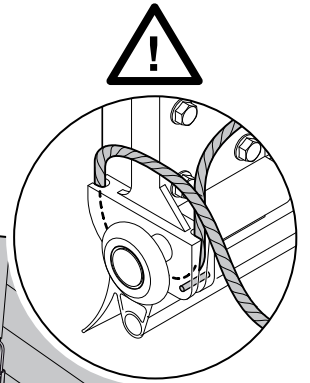
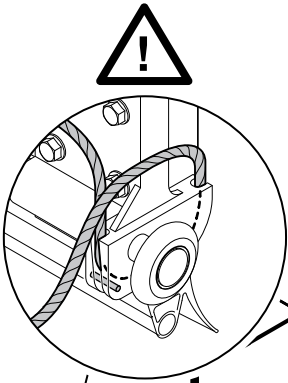
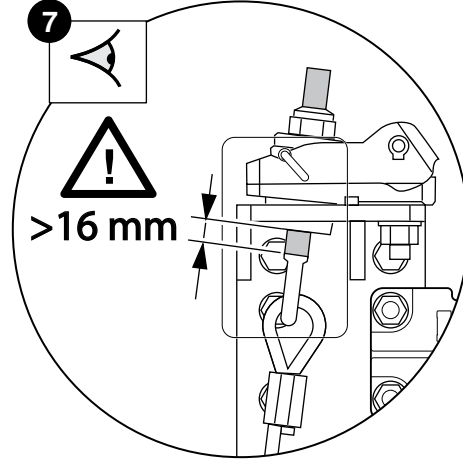


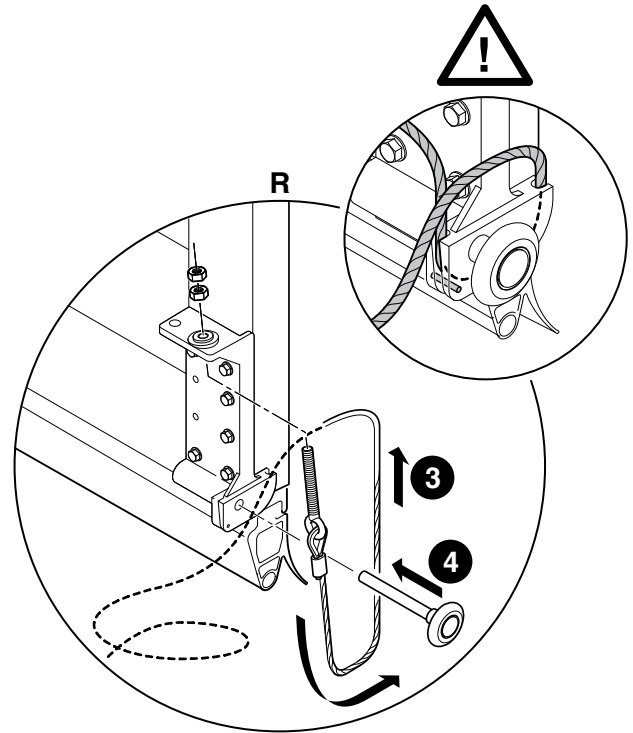
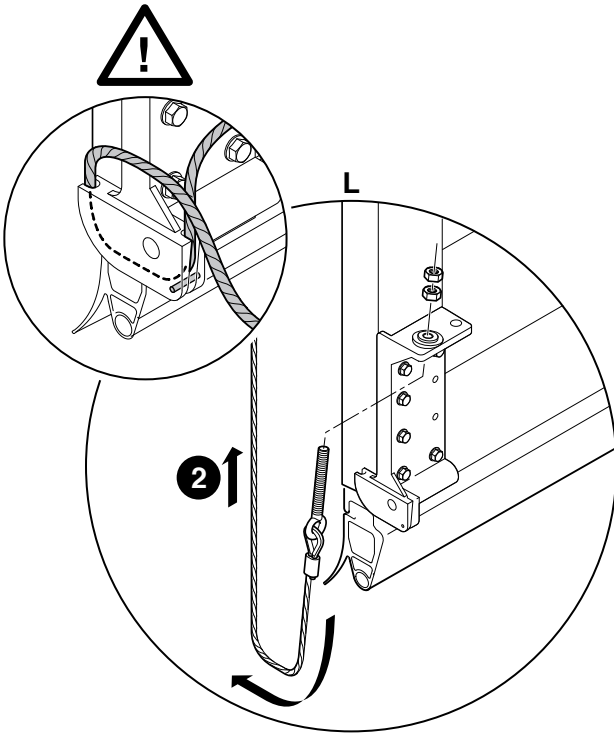
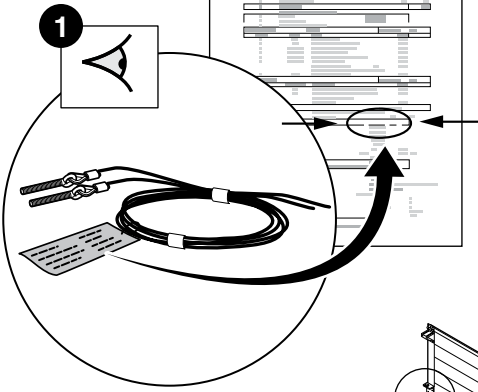
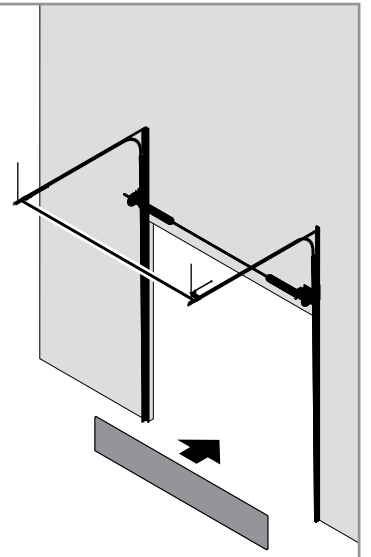
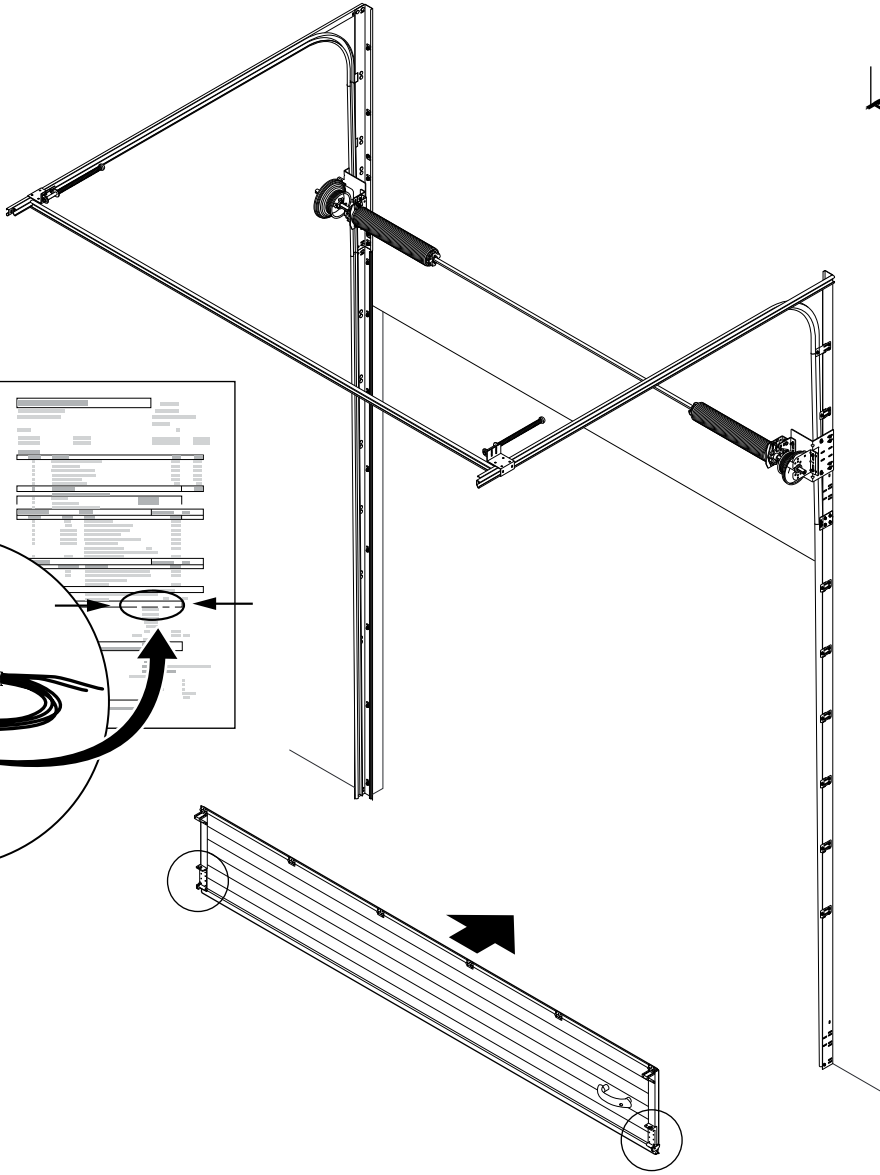
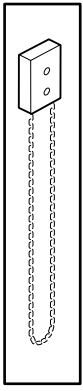
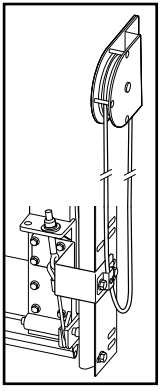


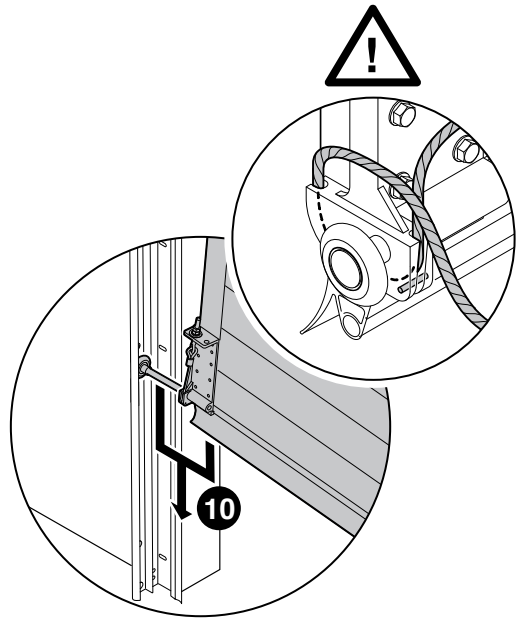
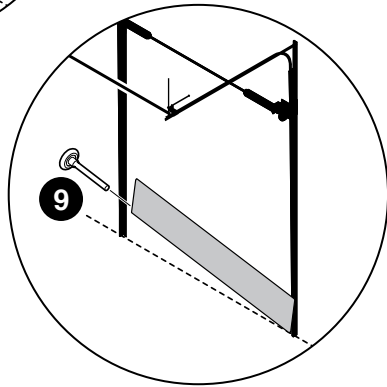
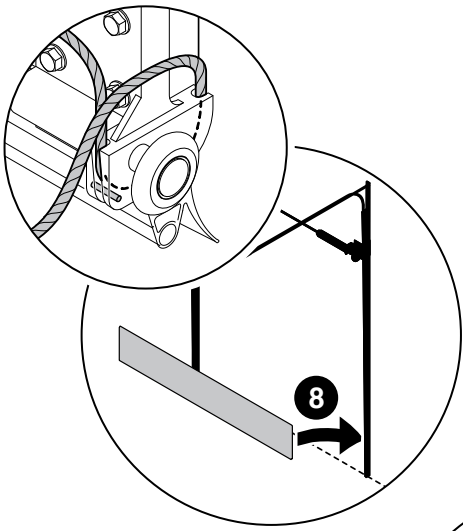
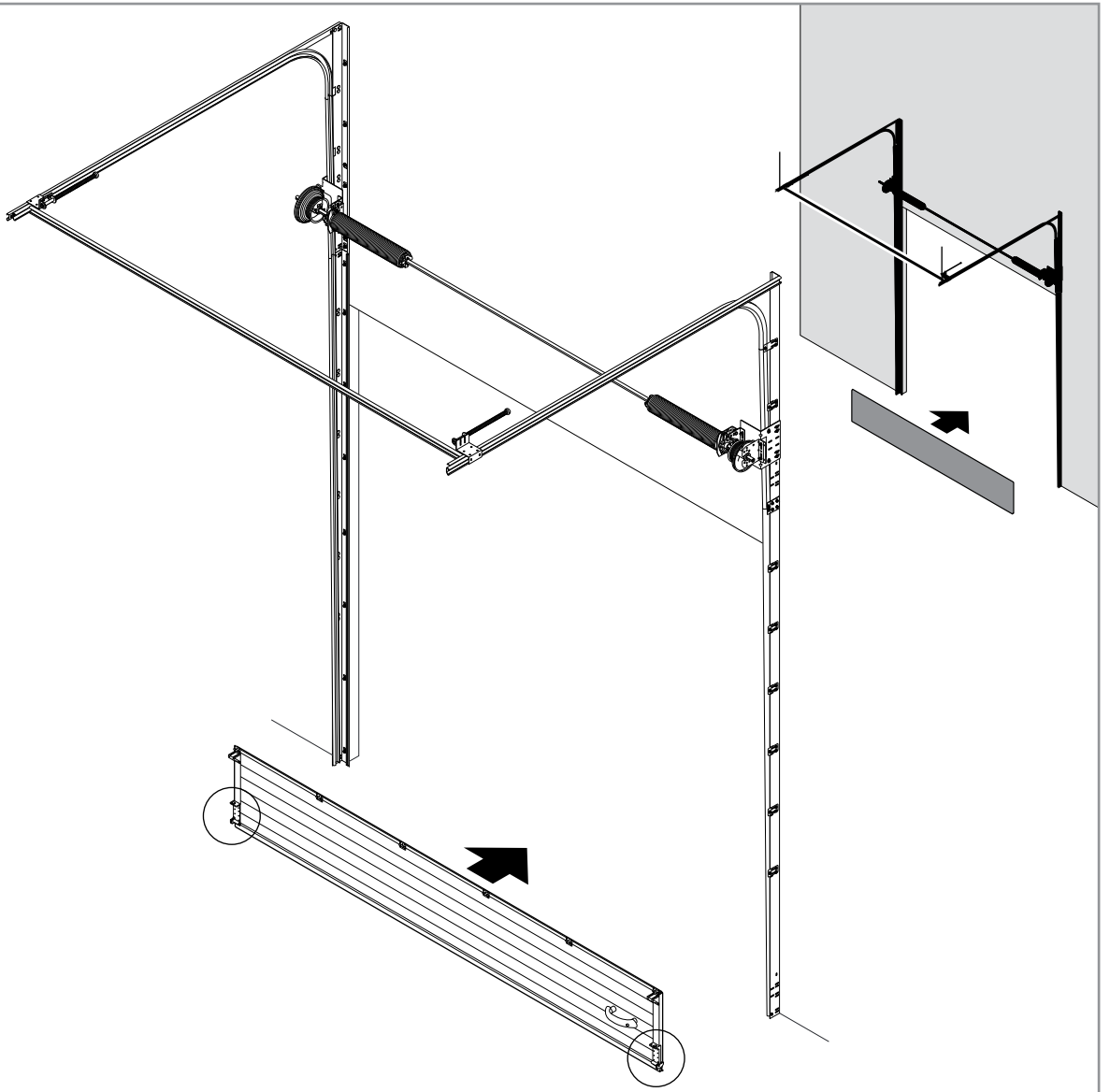
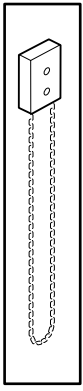
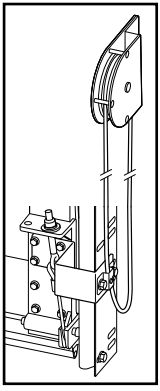
L+R

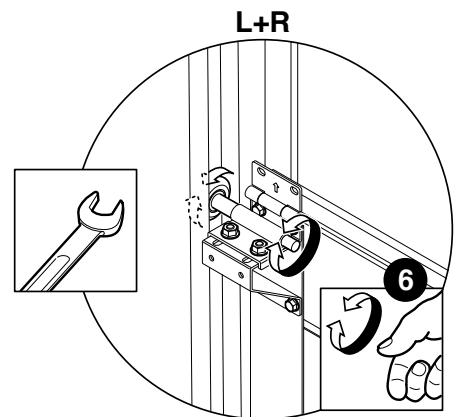
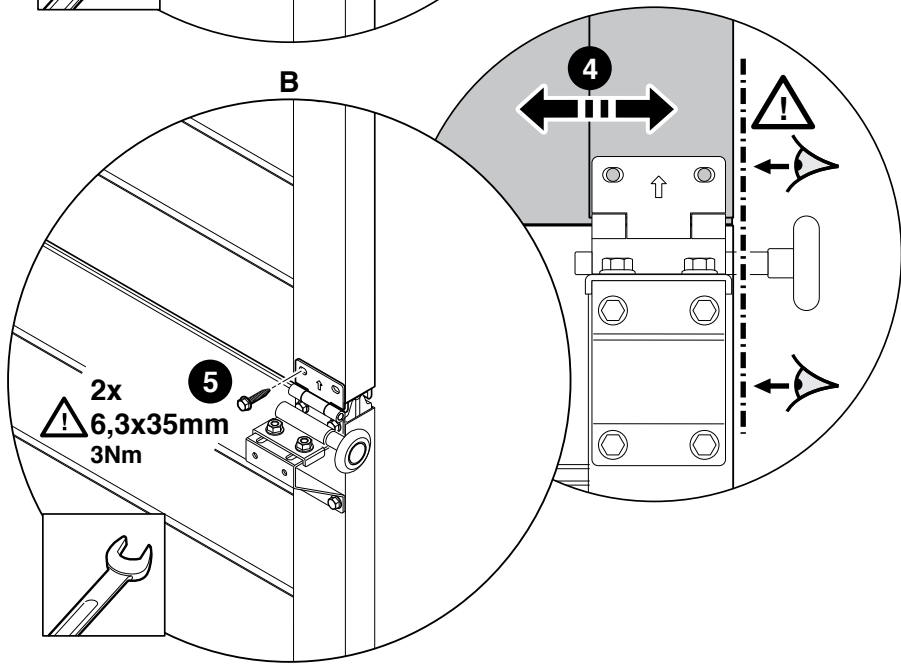
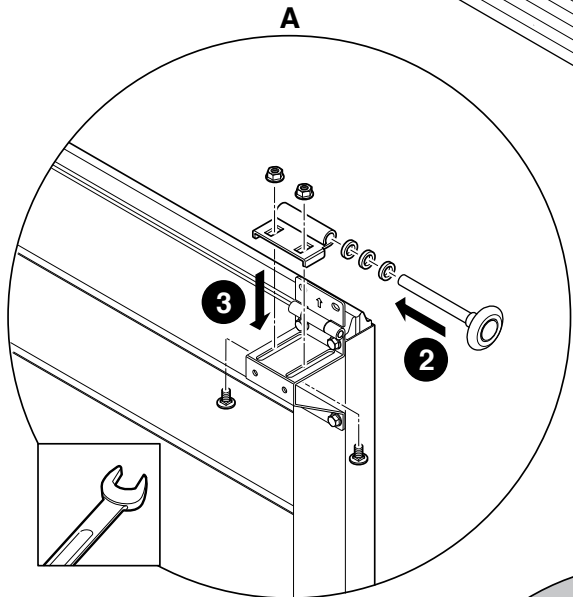
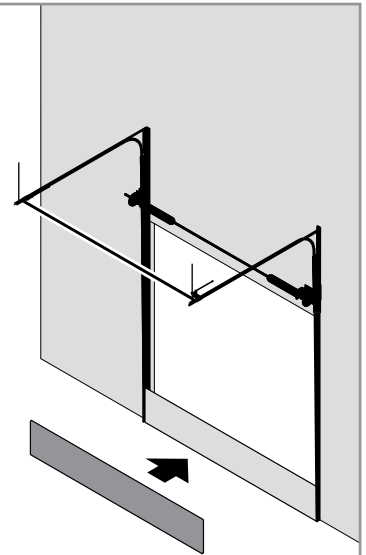
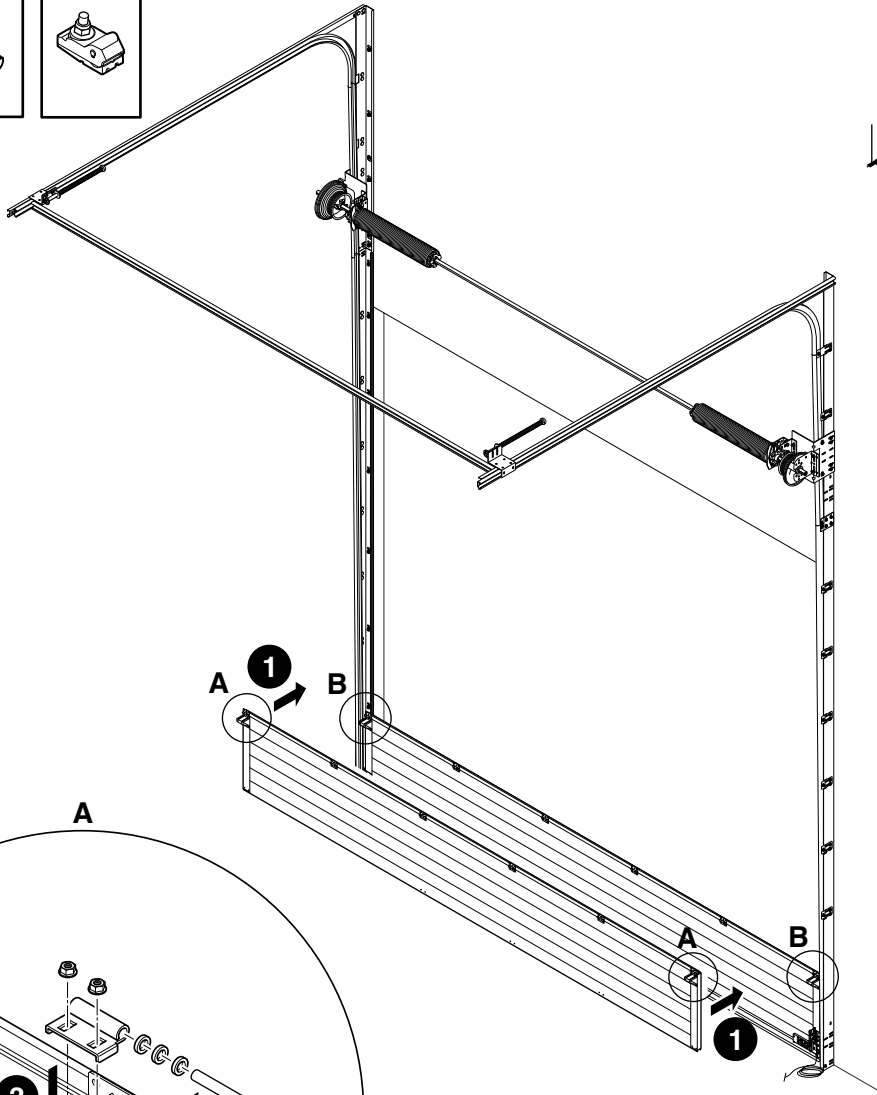
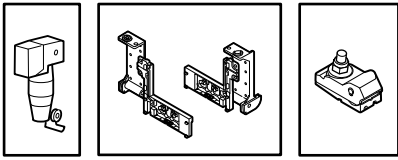


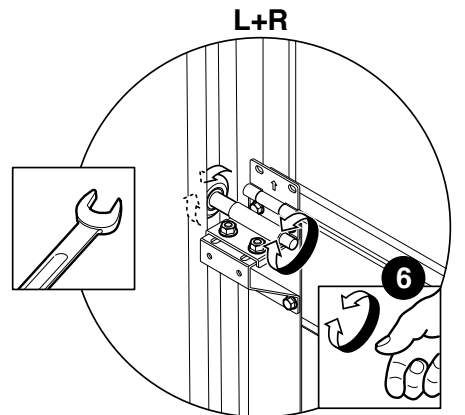
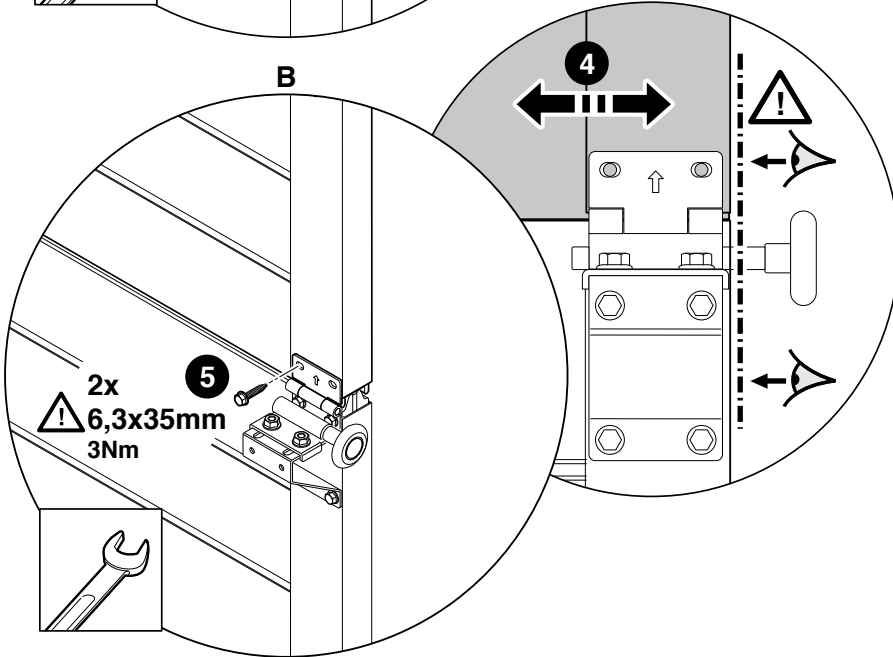
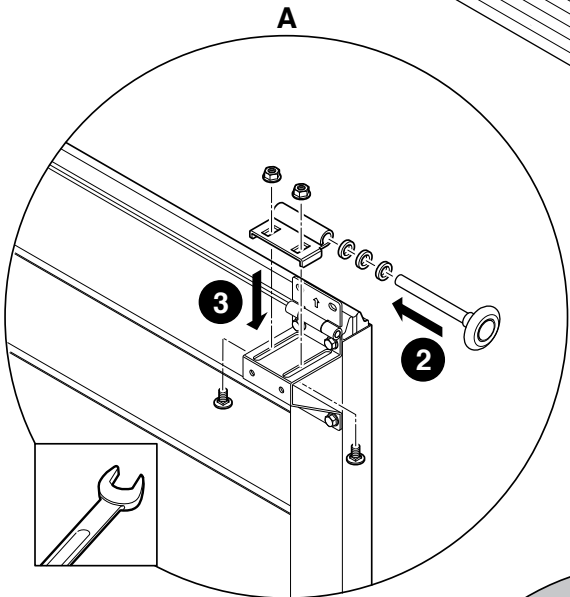
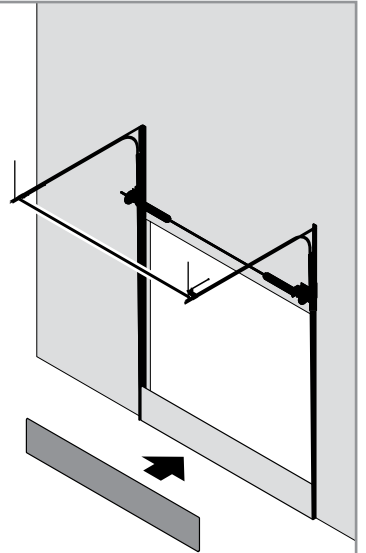
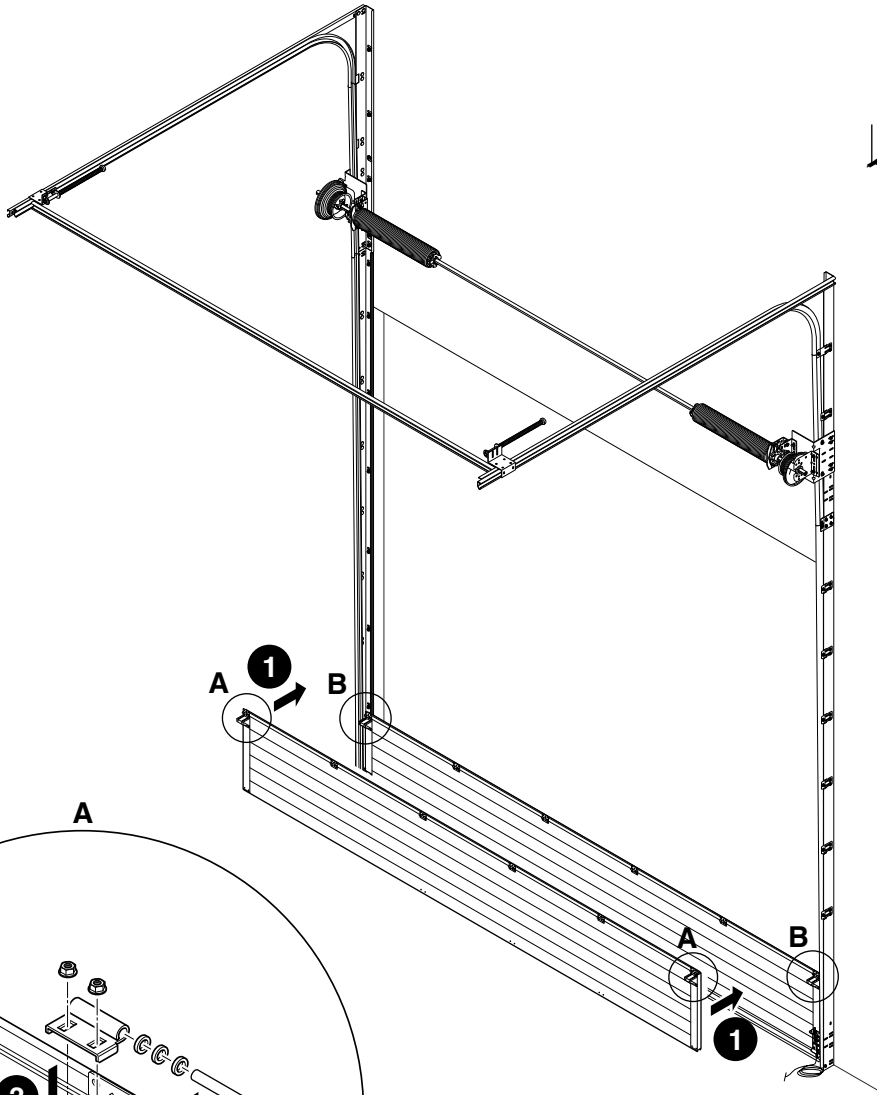
L+R

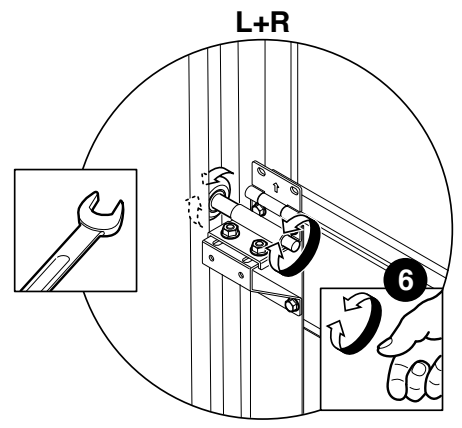
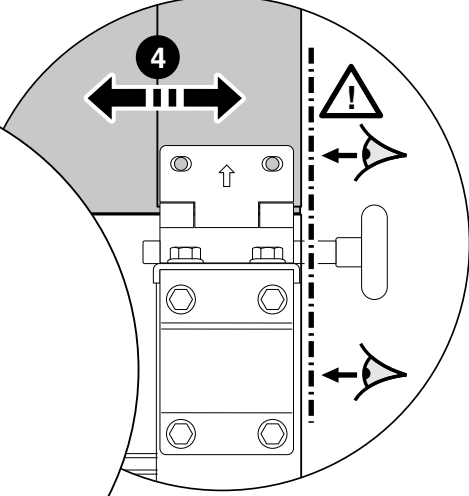
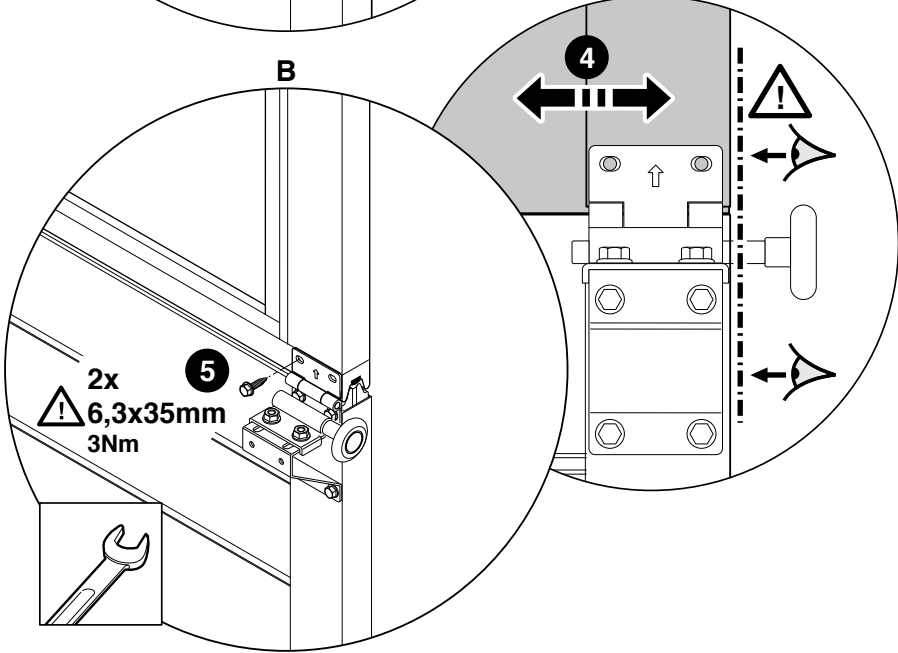
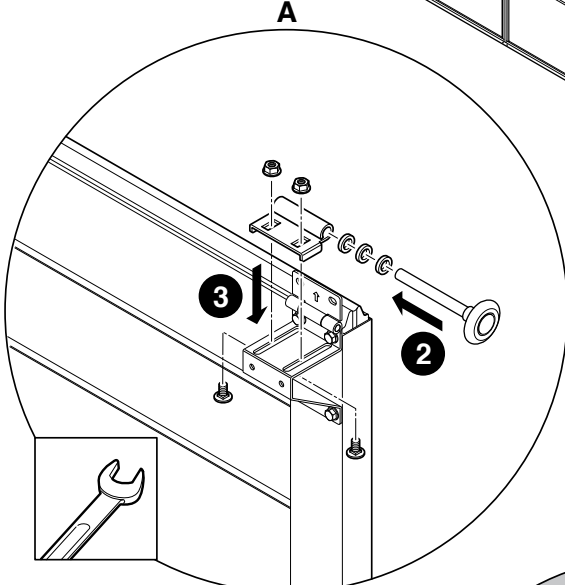
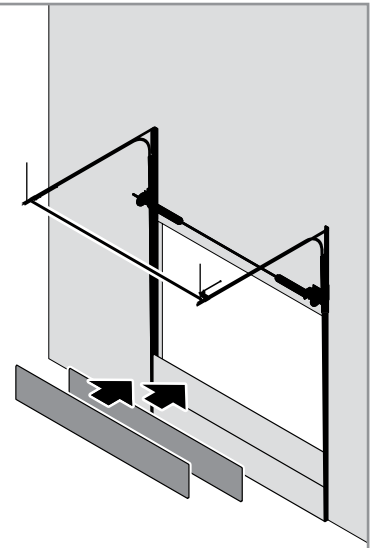
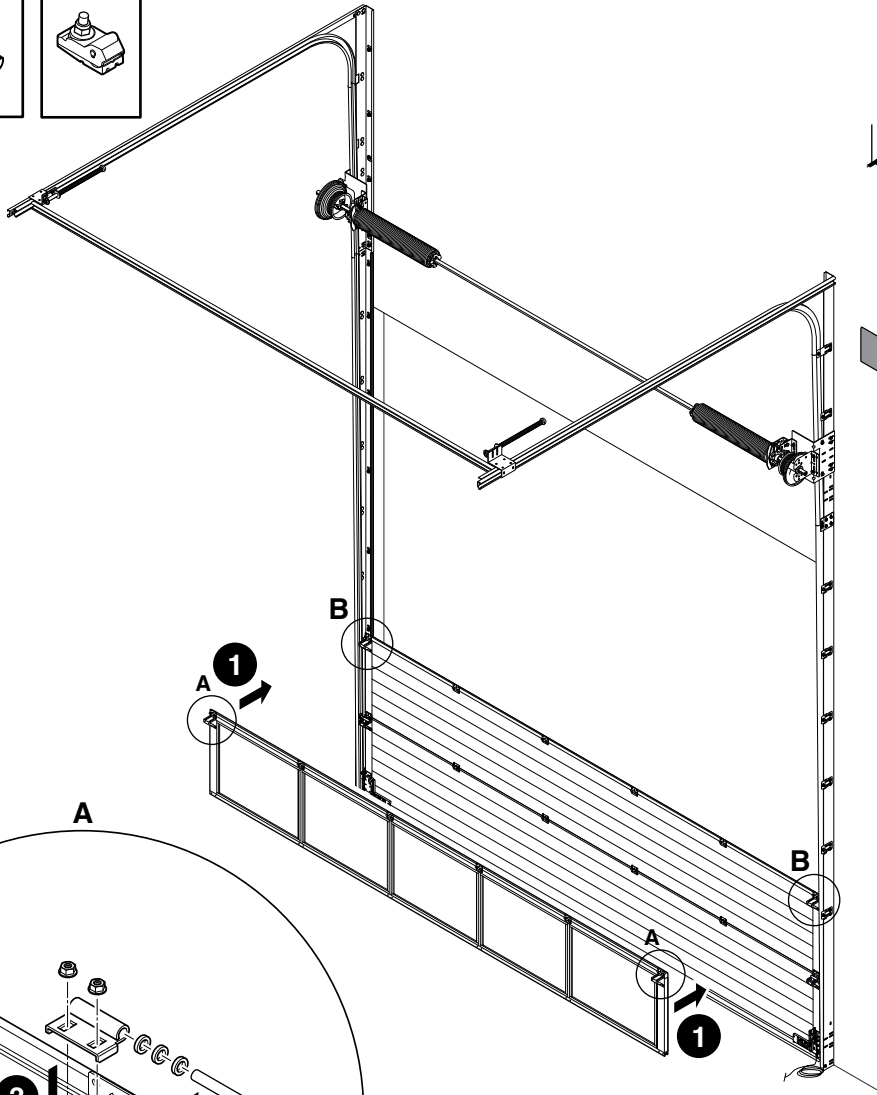
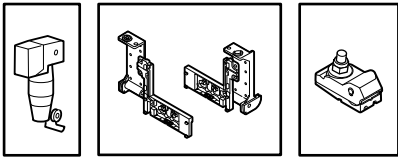


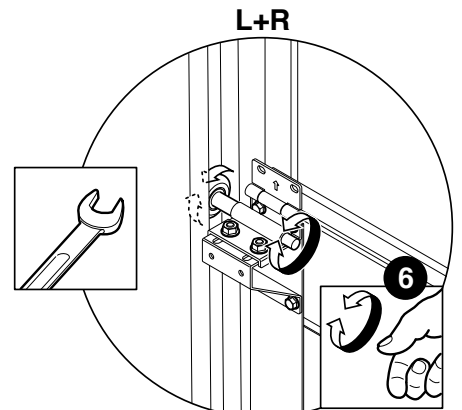
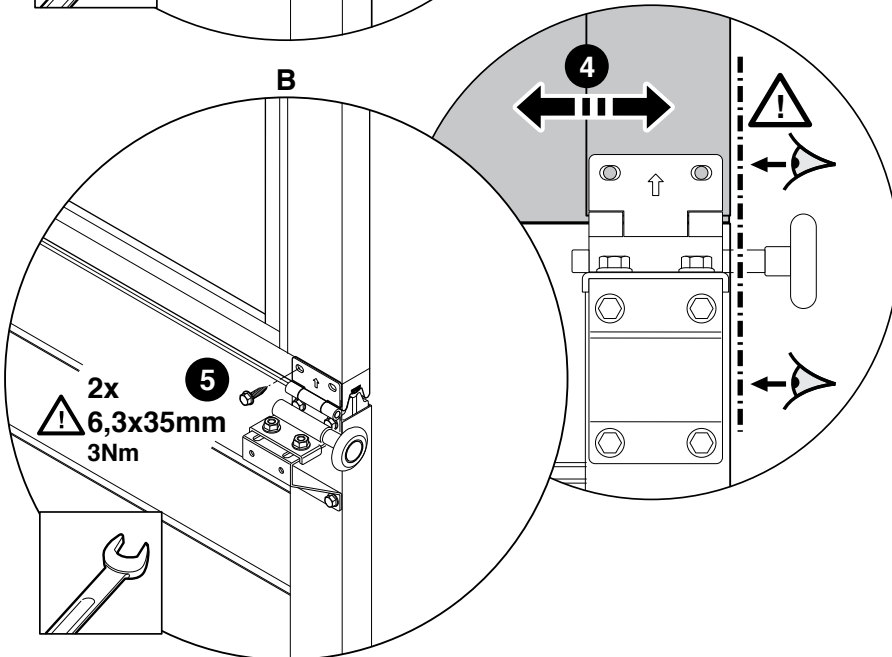
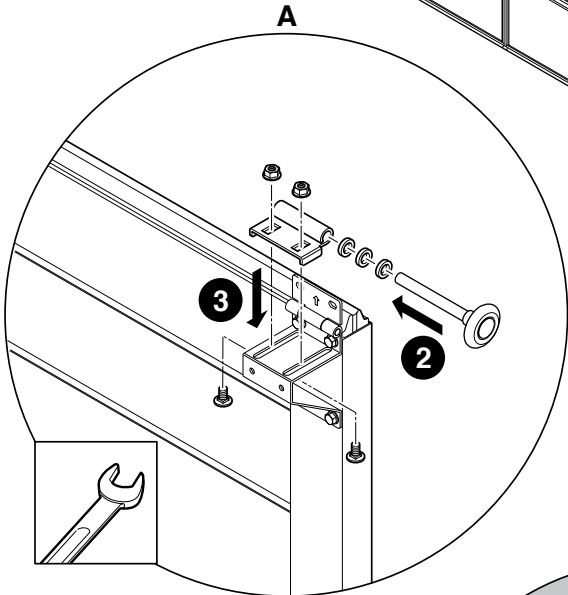
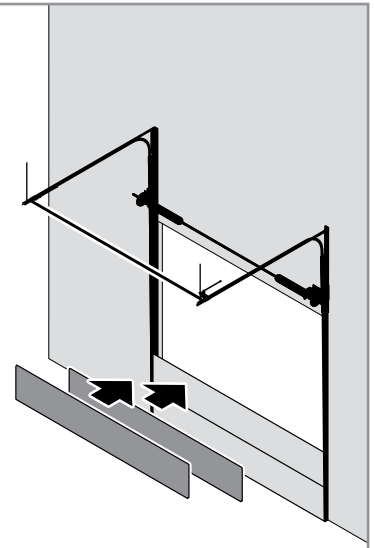
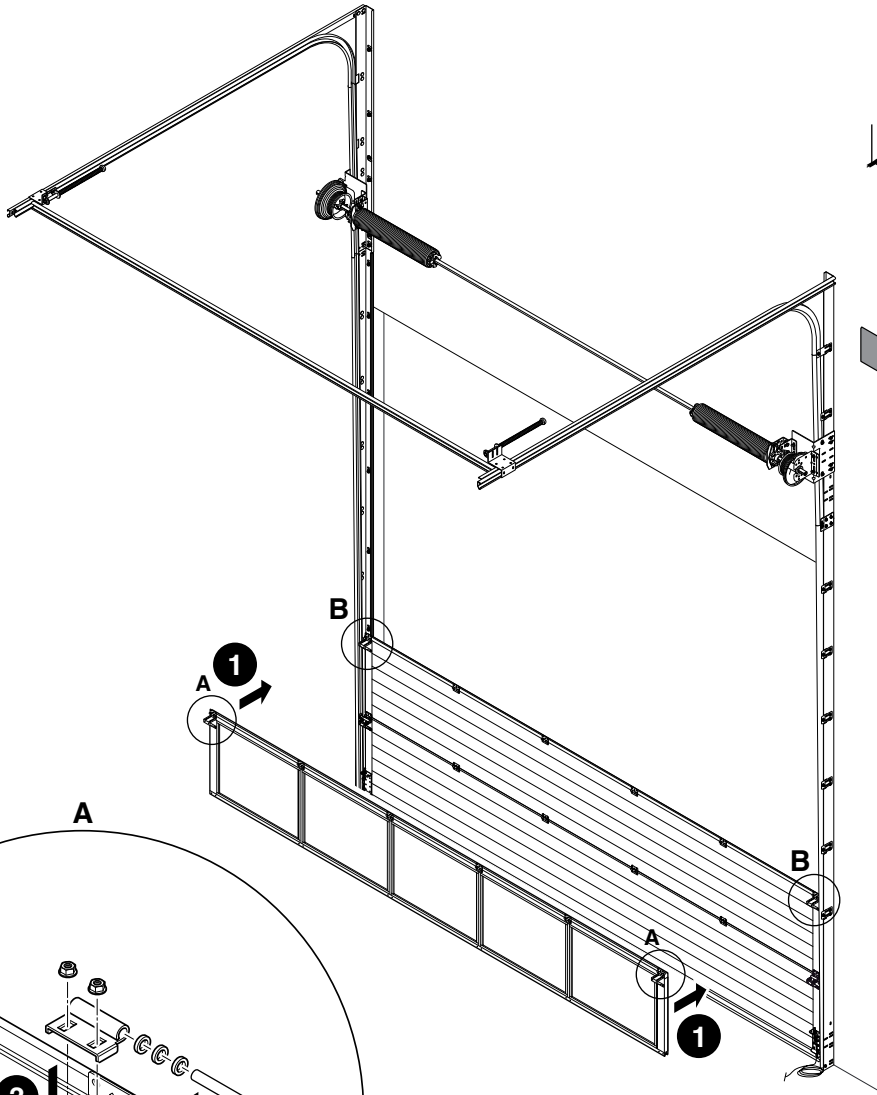
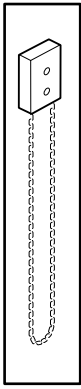
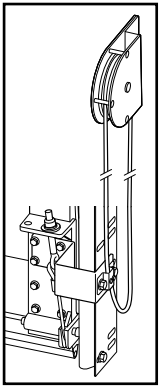




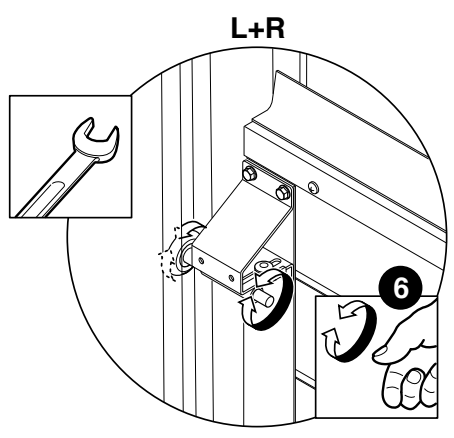
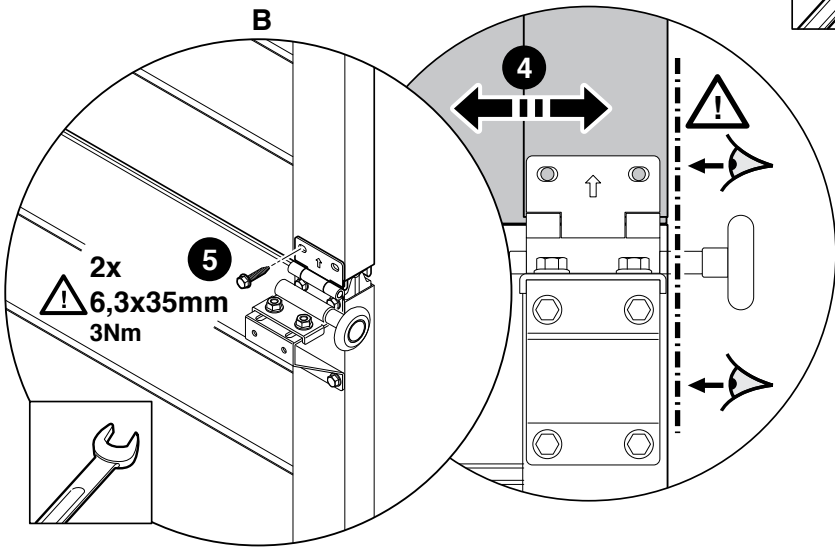
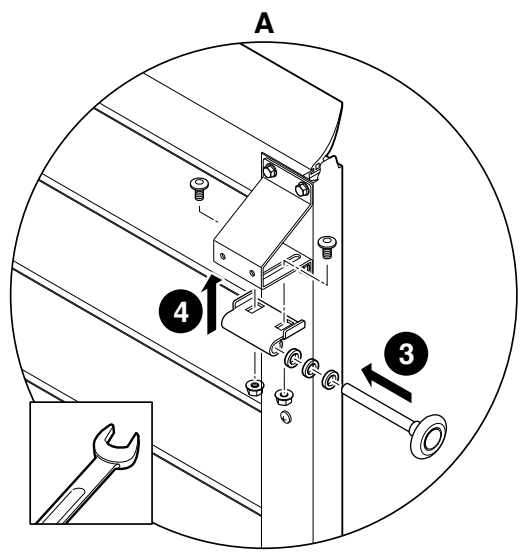
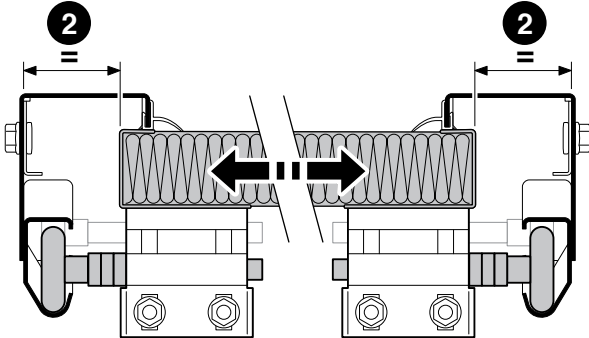
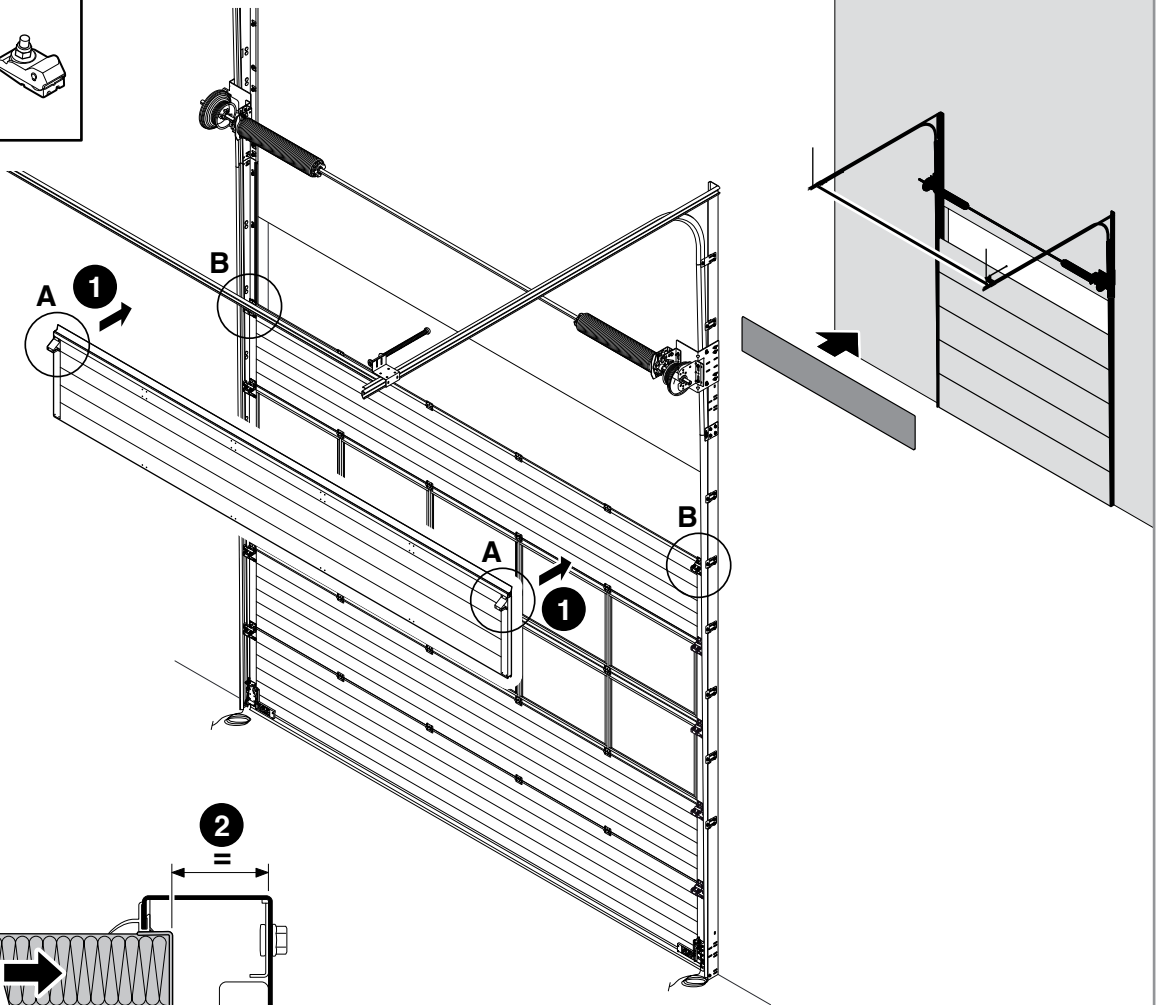
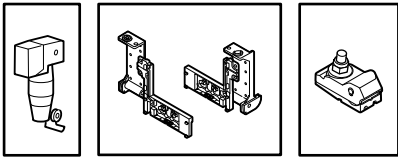


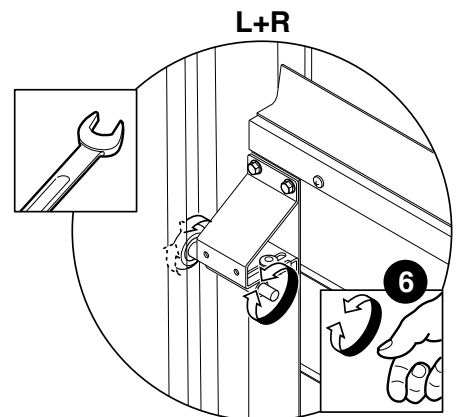
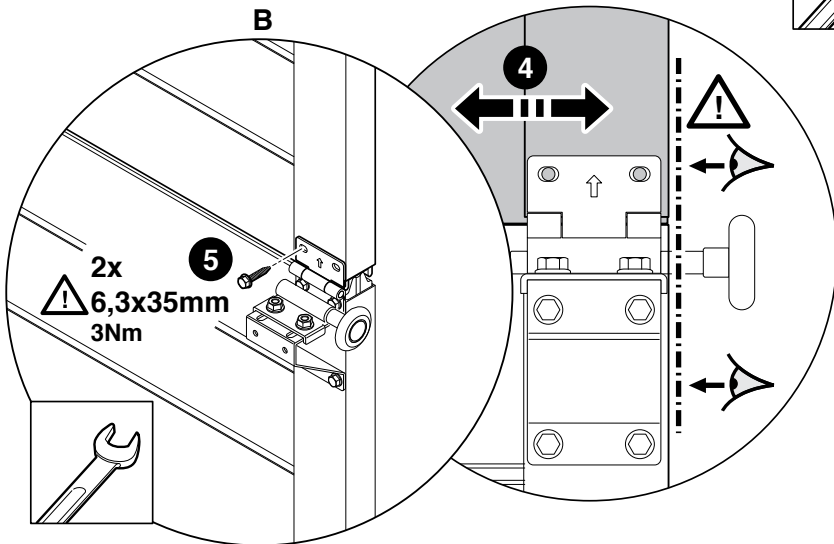
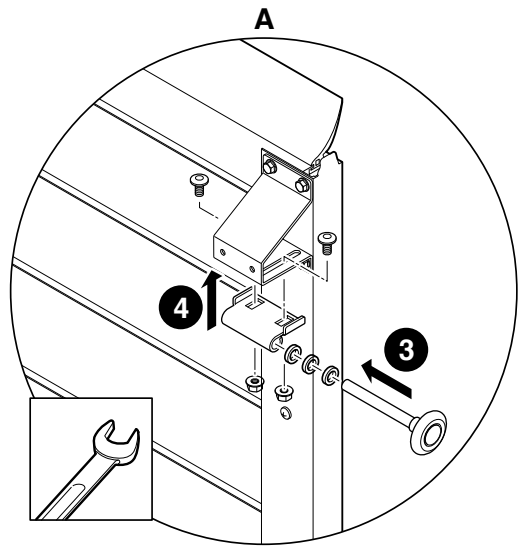
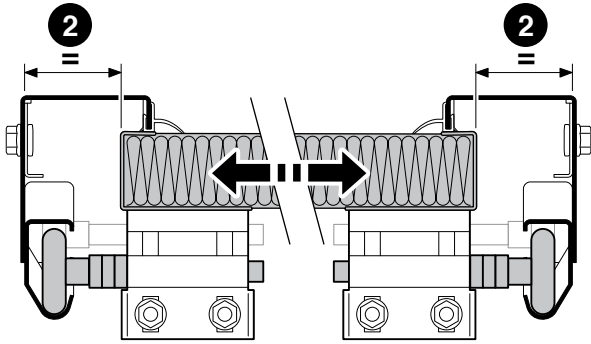
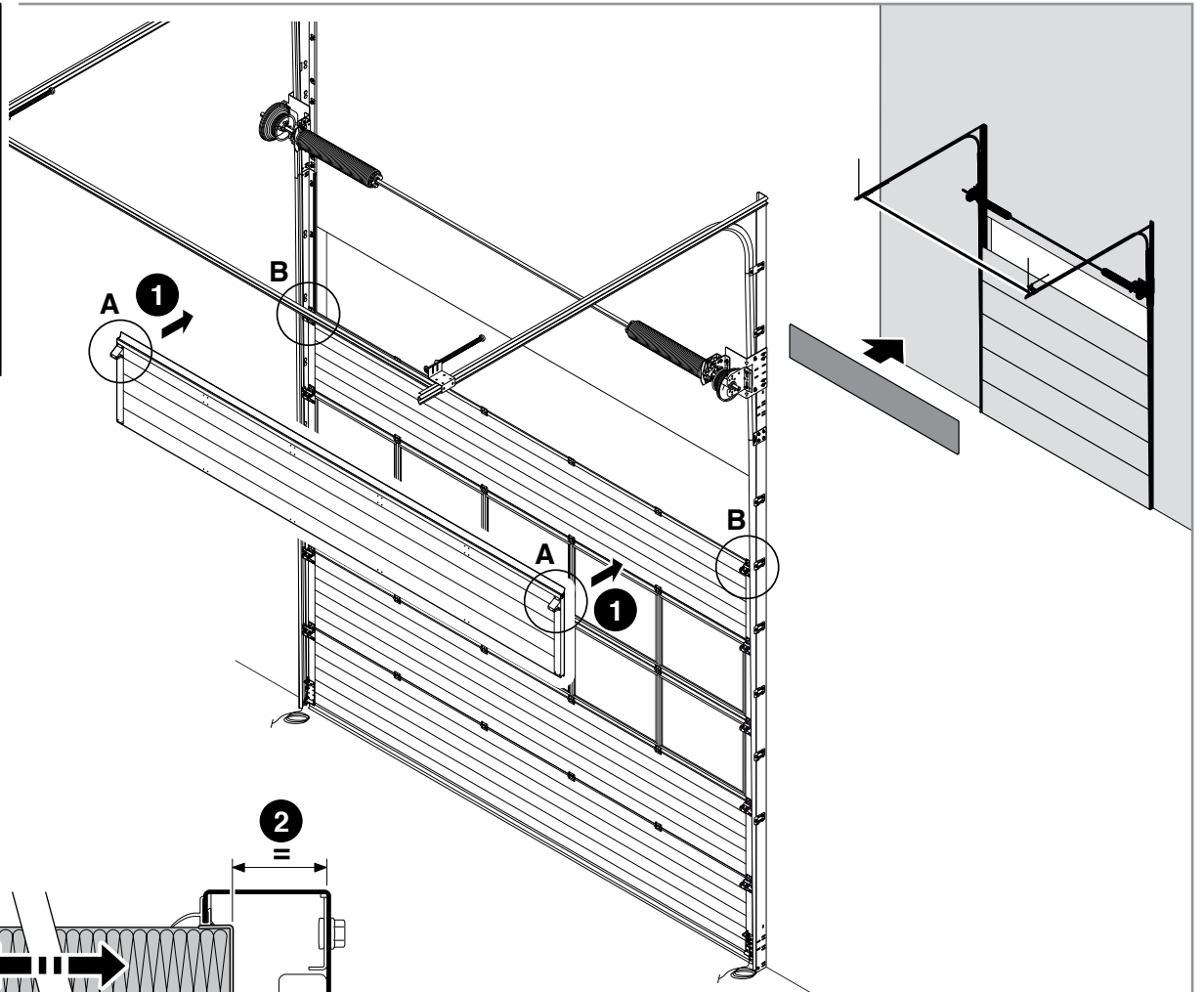
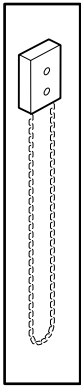
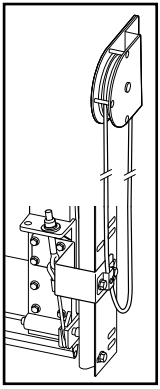


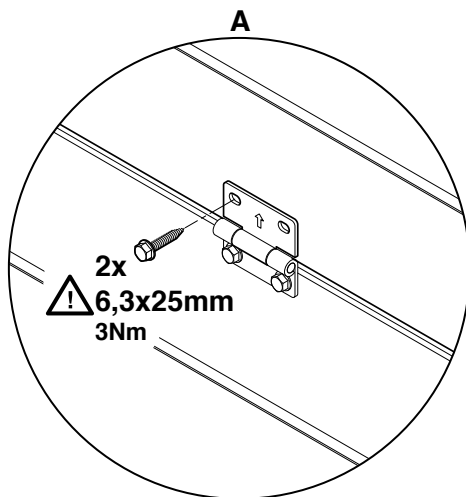
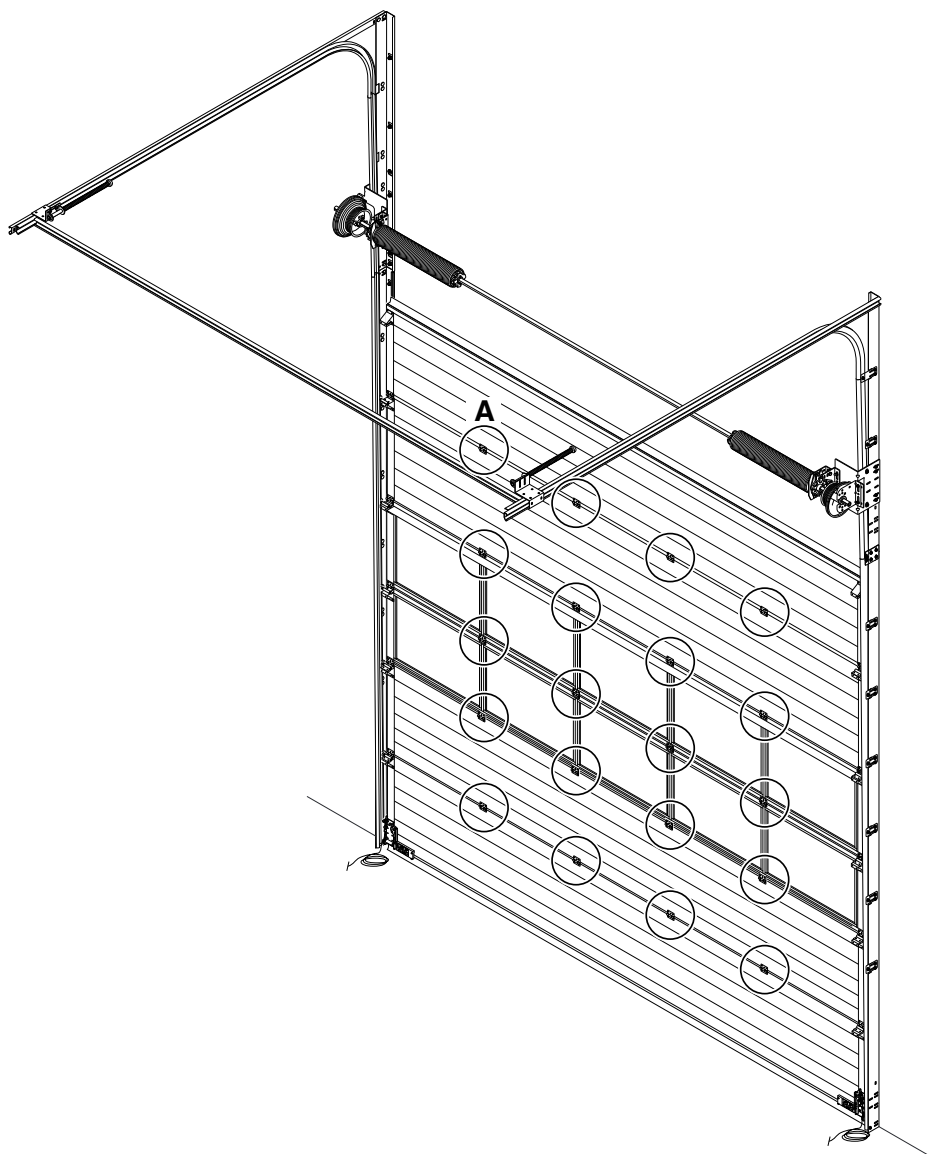


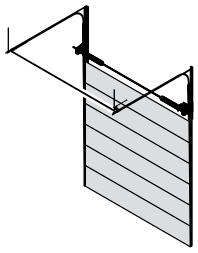
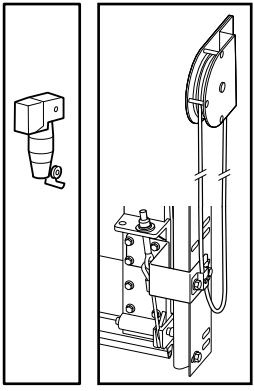




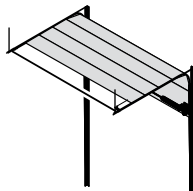
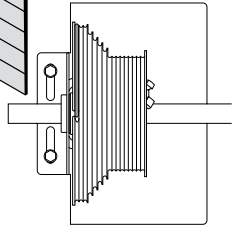




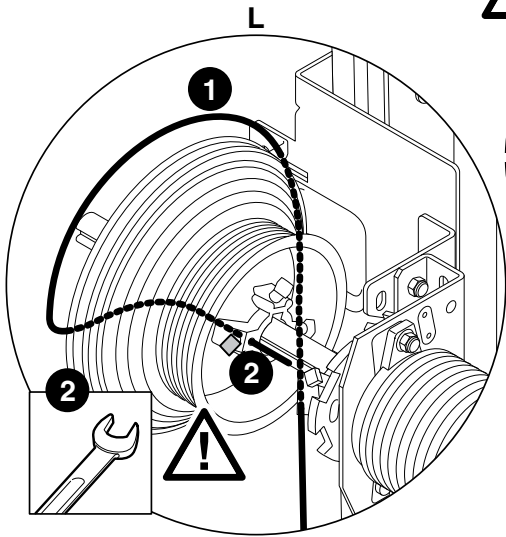
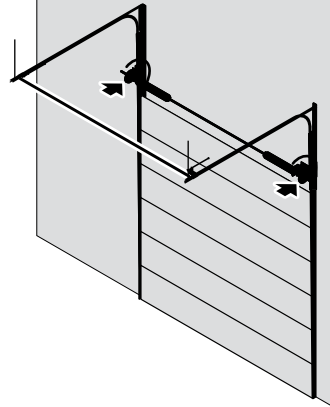
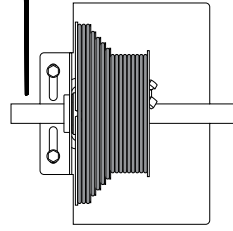




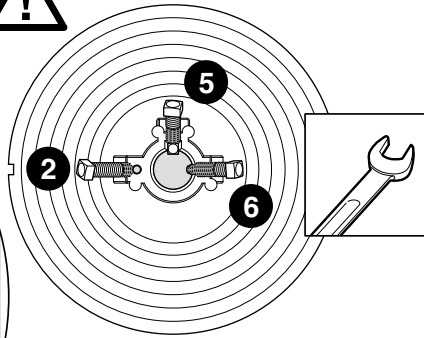
L+R



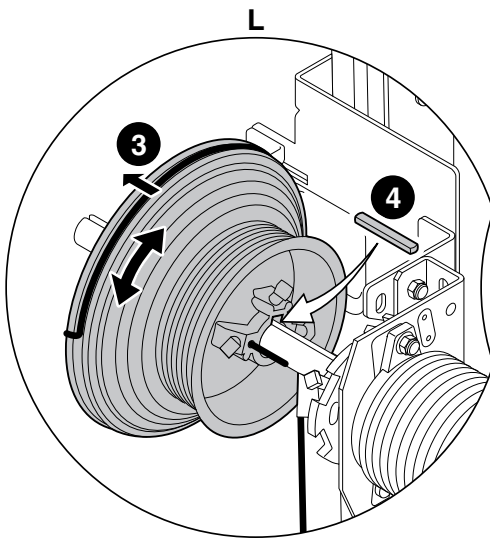
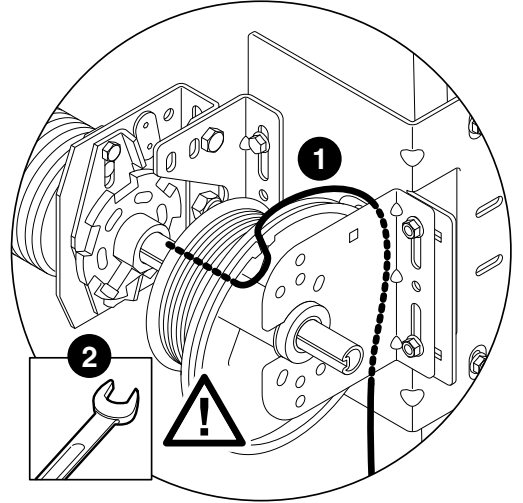
L+R



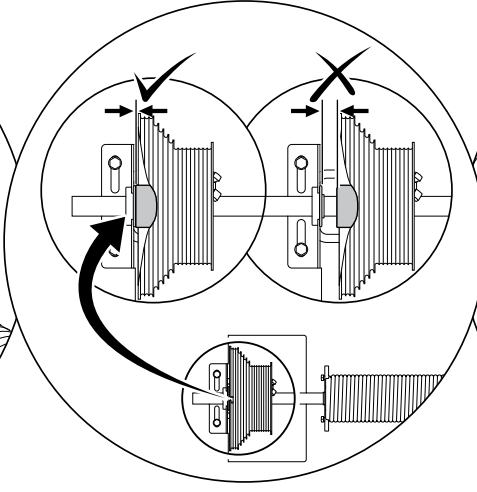
L+R



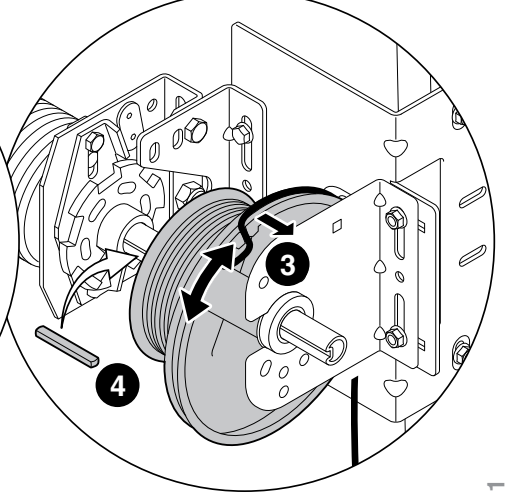
R

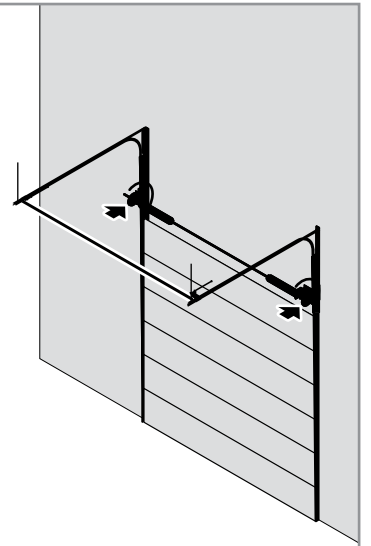
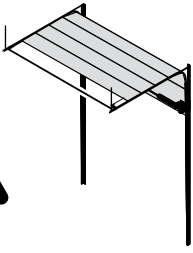
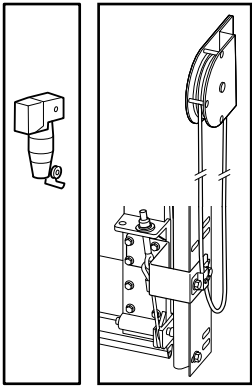


L+R

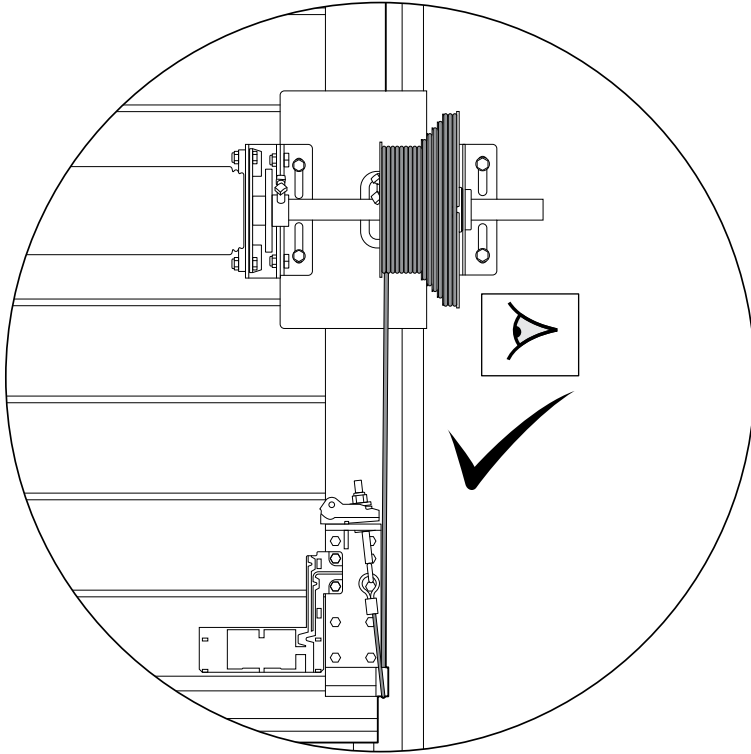


R

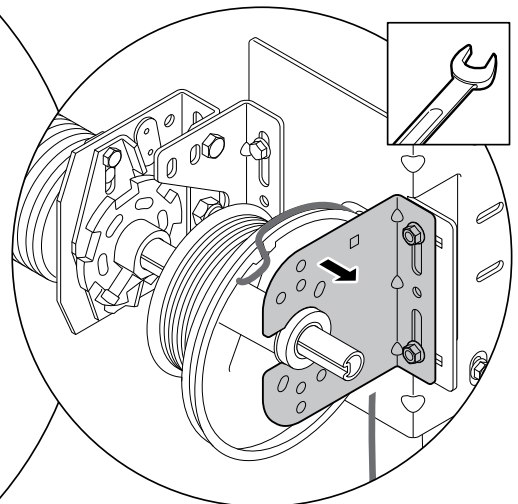
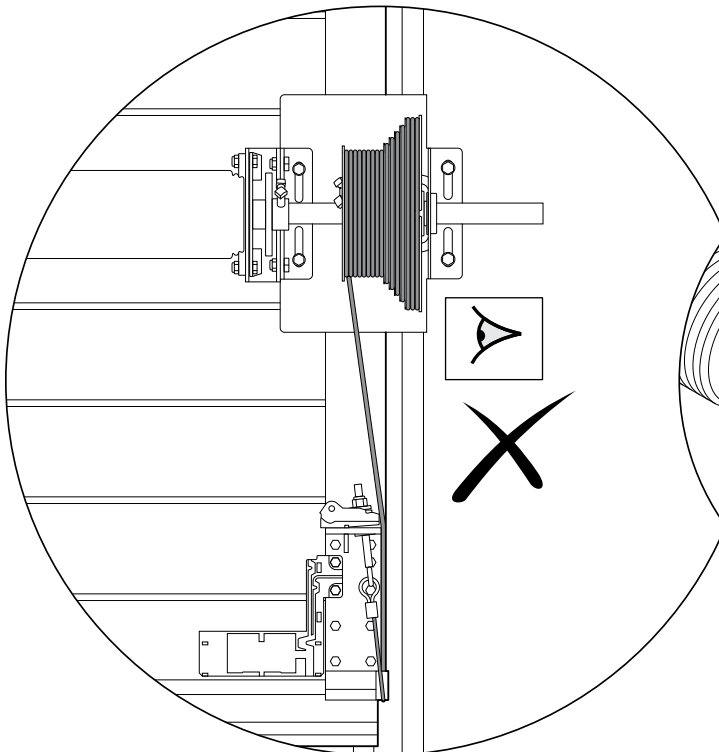


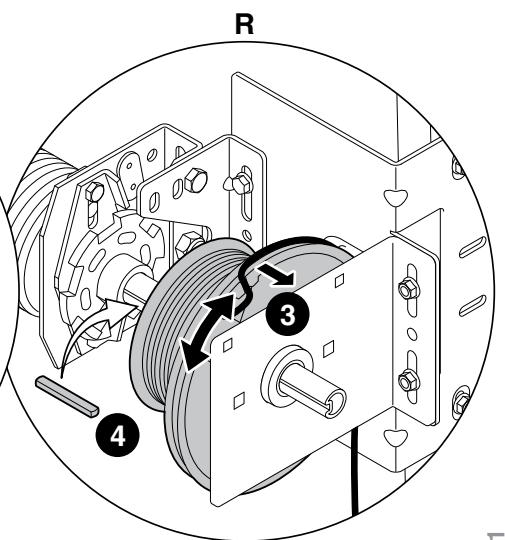
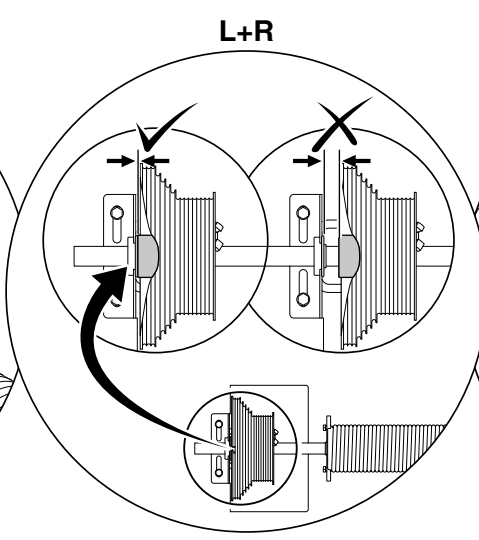
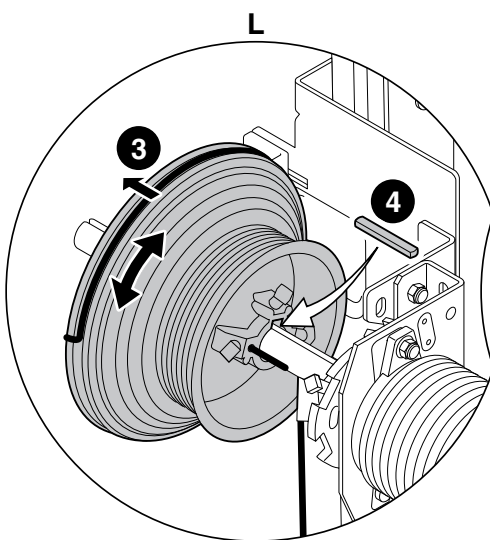
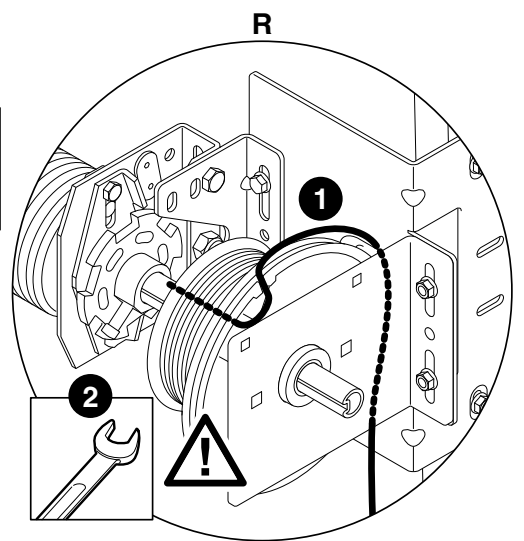
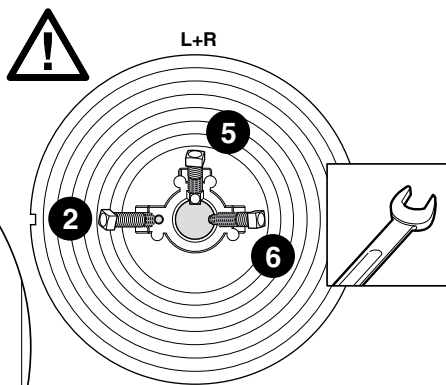
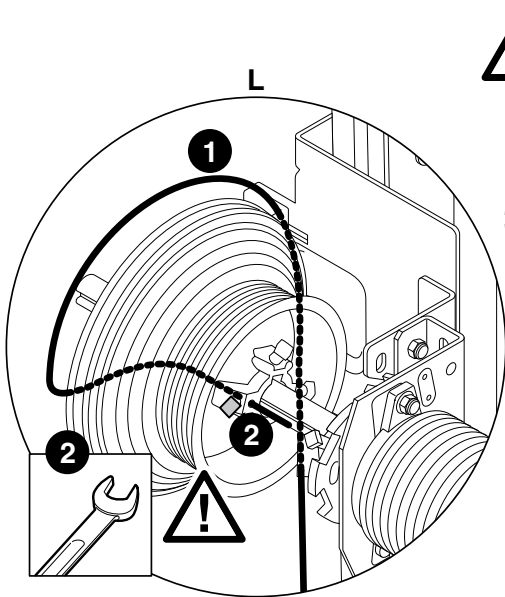
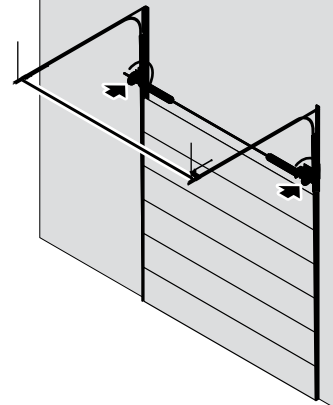
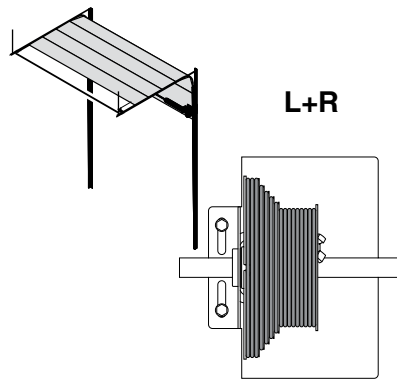
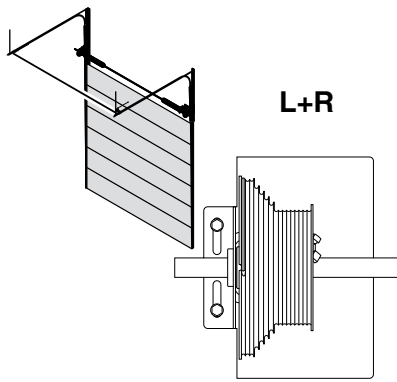
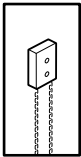


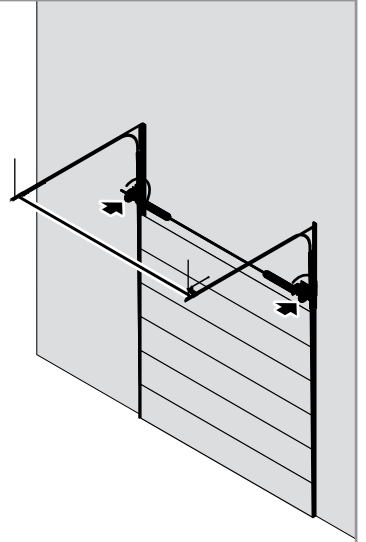
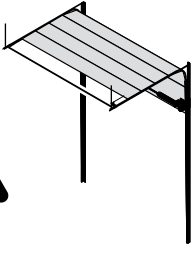
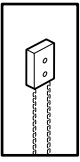
L+R



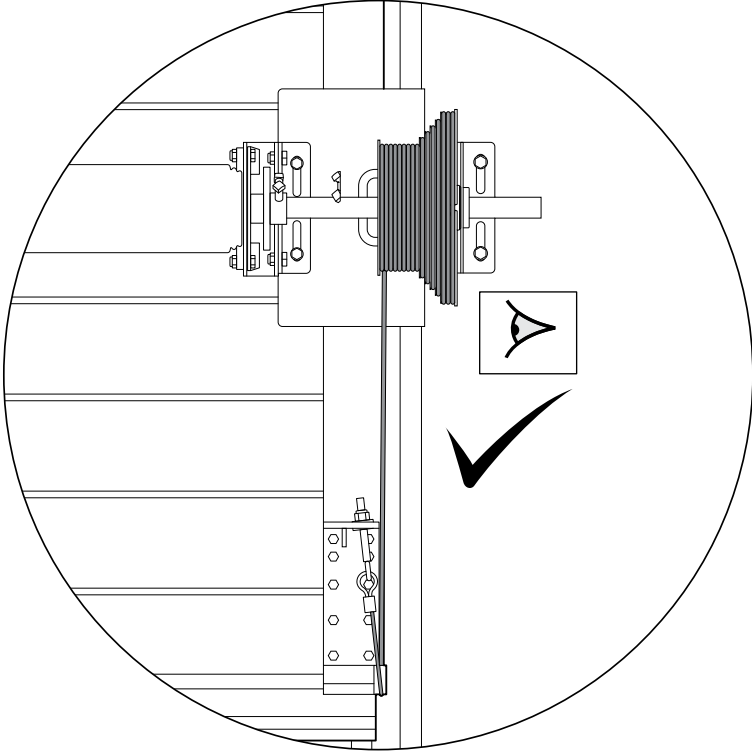
L+R



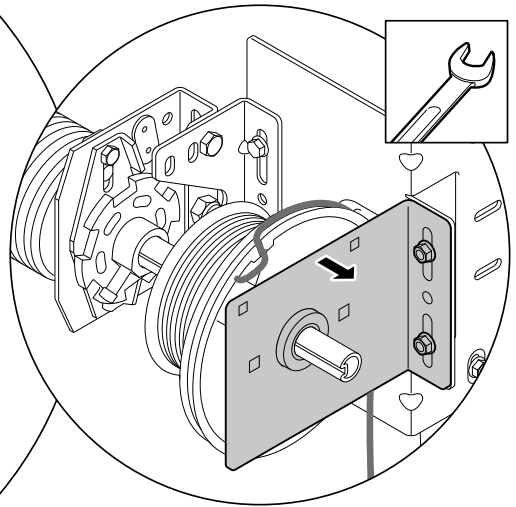
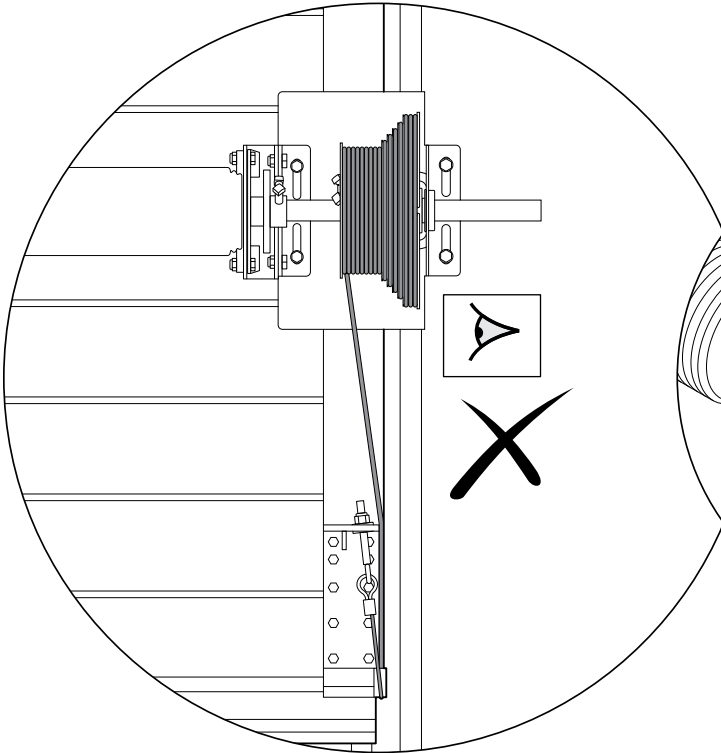


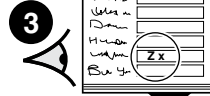
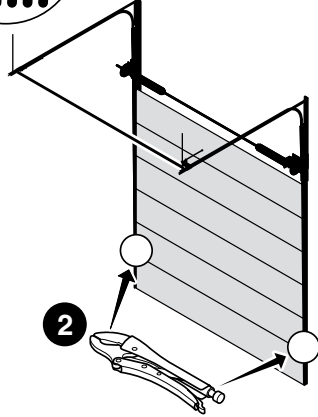
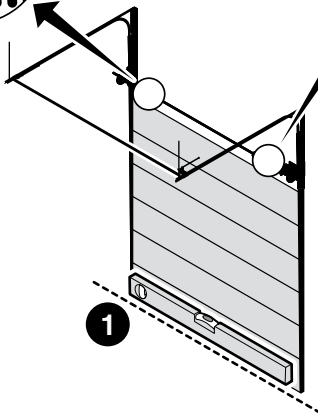
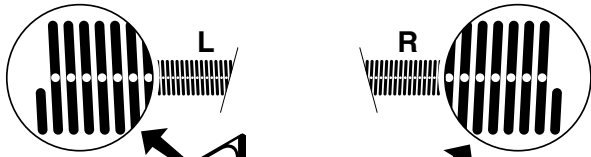


L+R

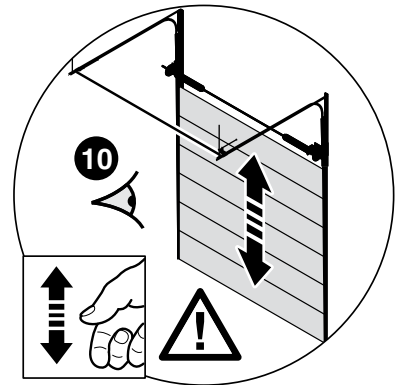
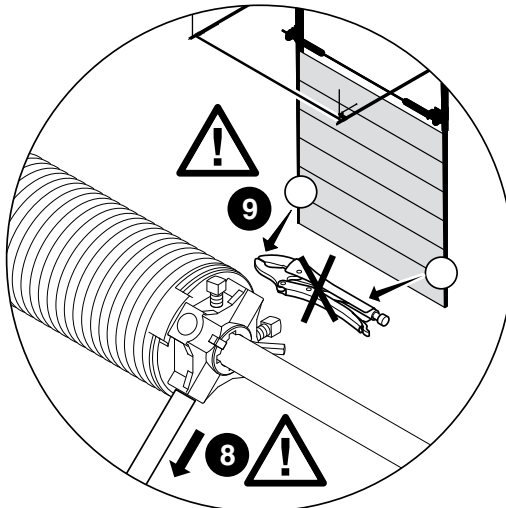
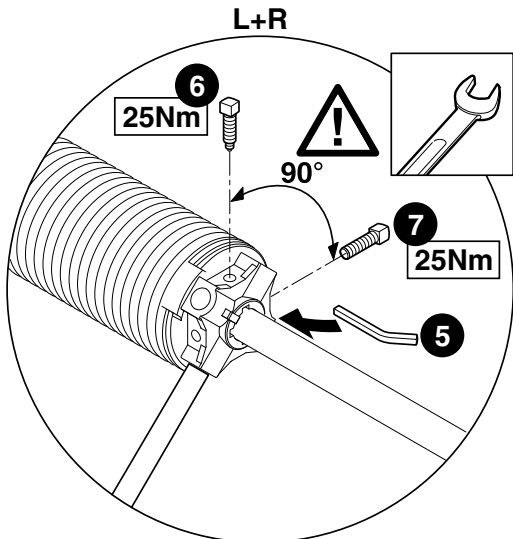
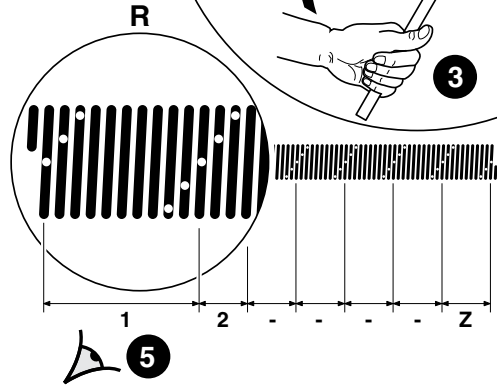
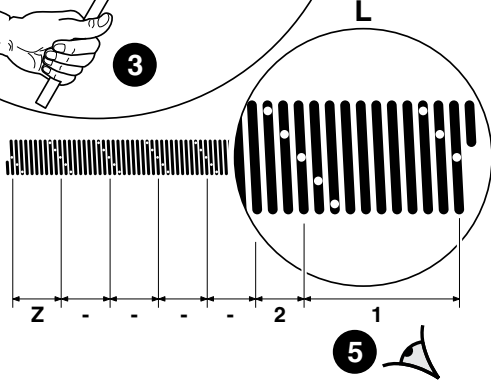
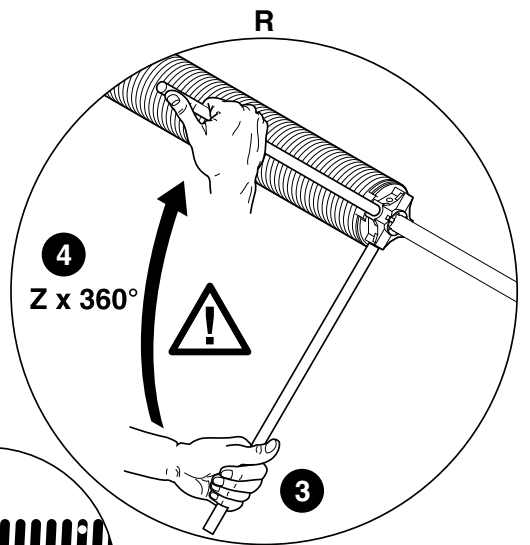
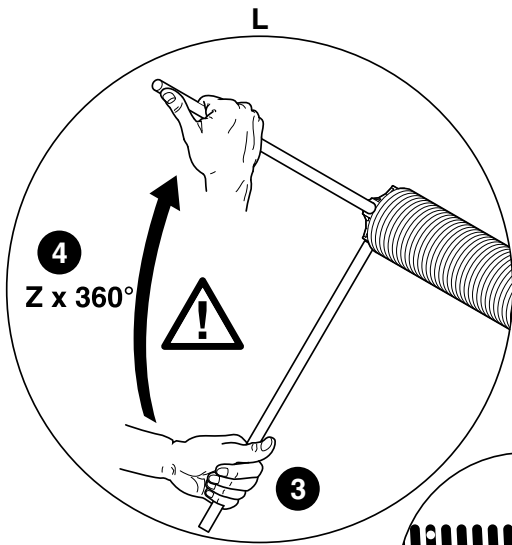
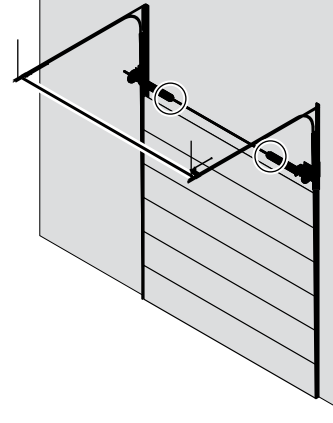


L+R

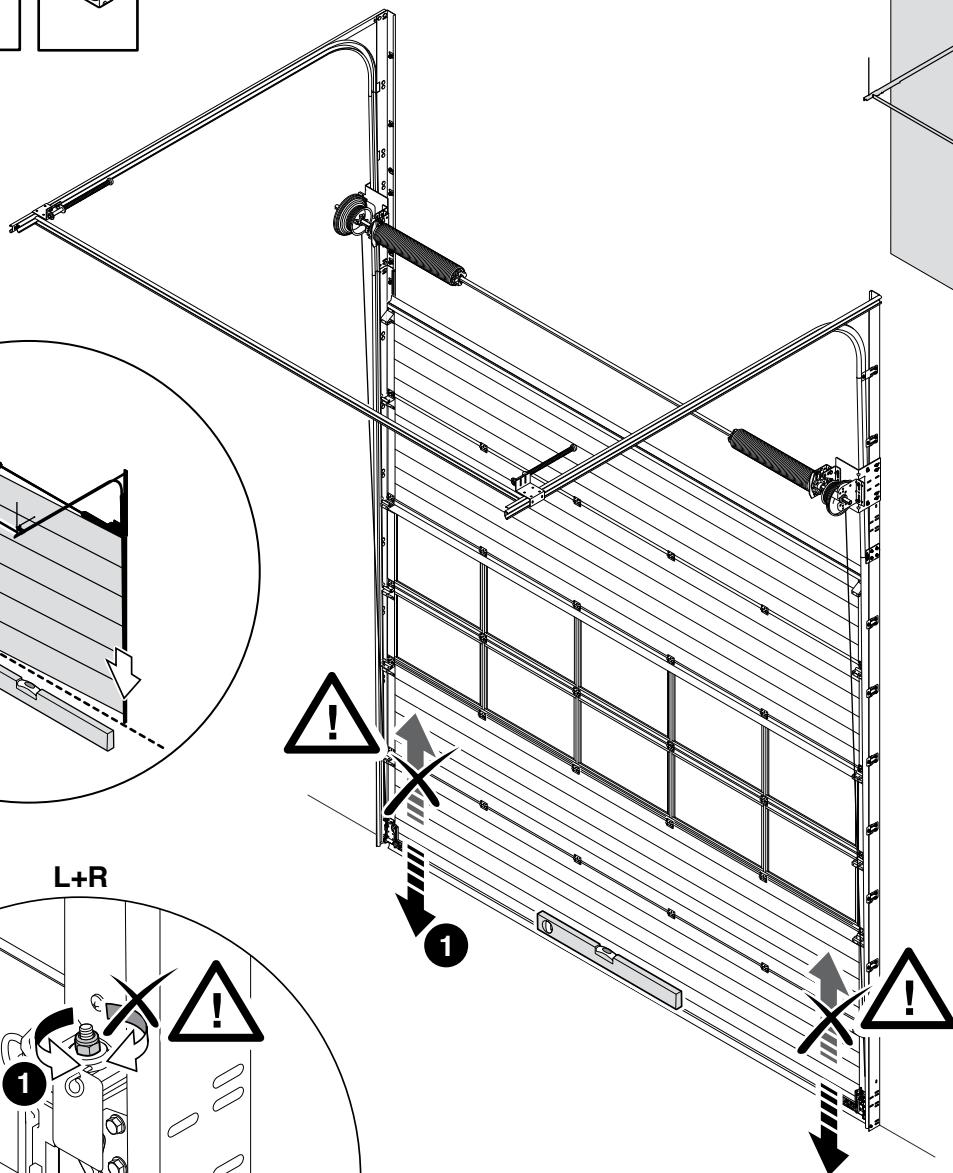
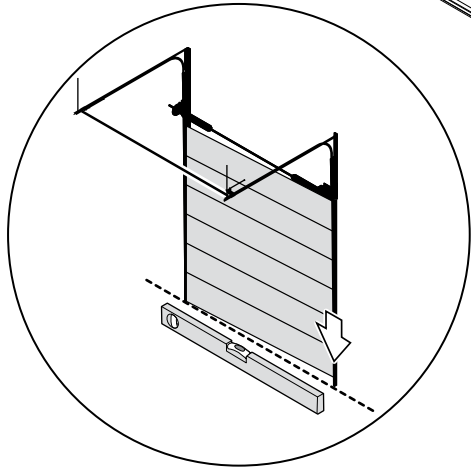
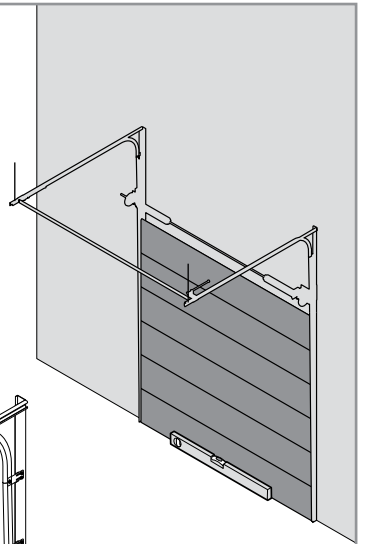
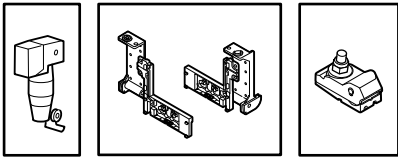




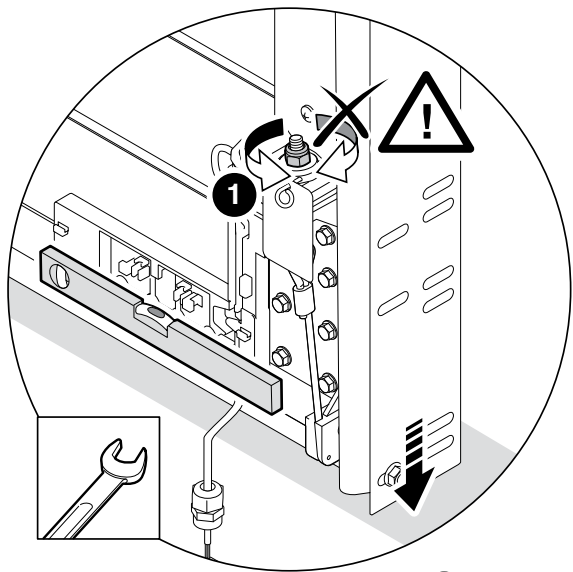
Z x 360°



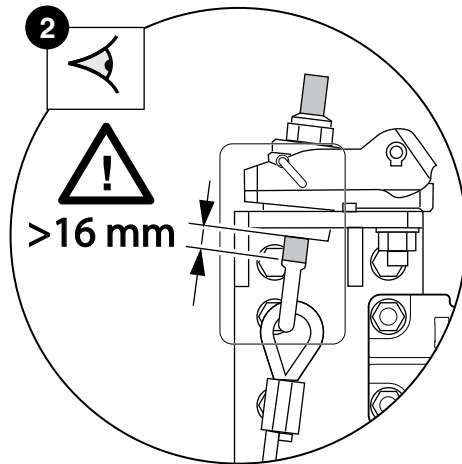




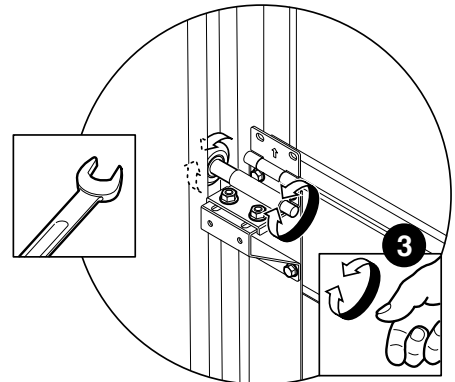
L+R

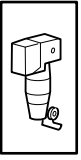


L+R

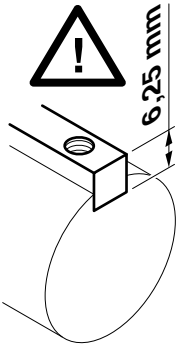


L+R

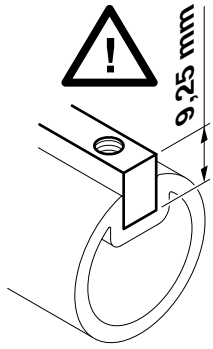




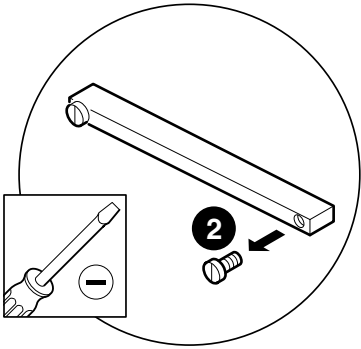
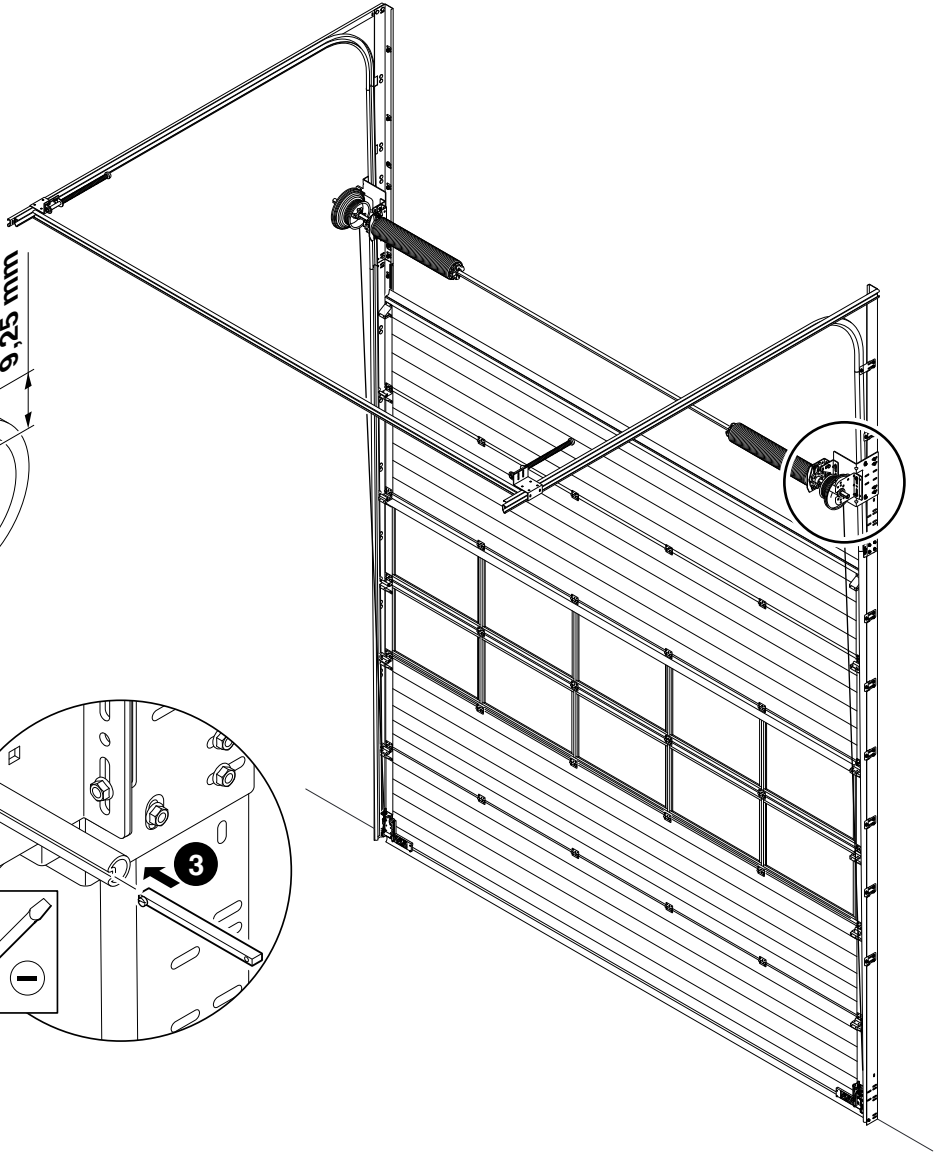
1



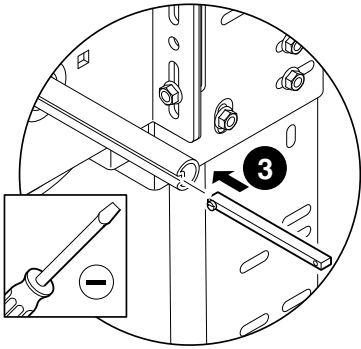
6,25 mm



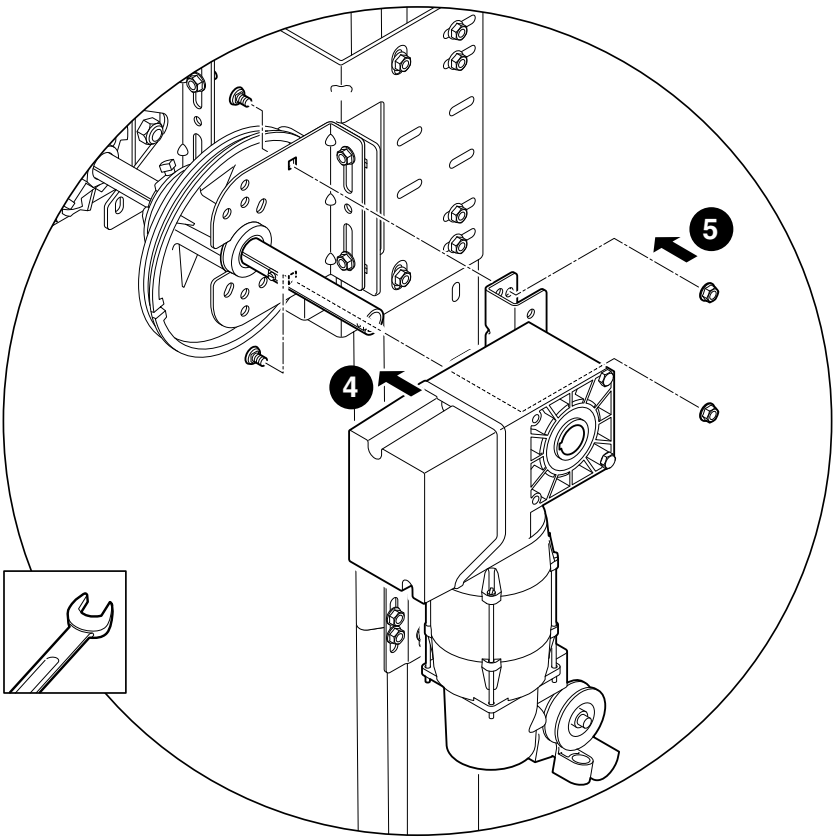
9,25 mm



2

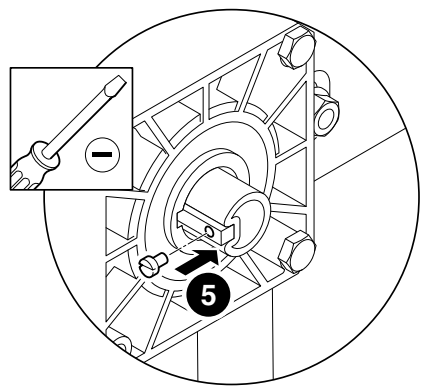


3

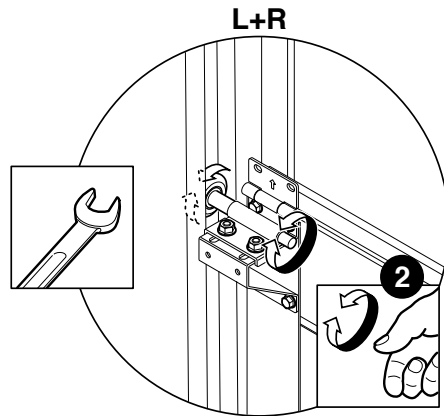
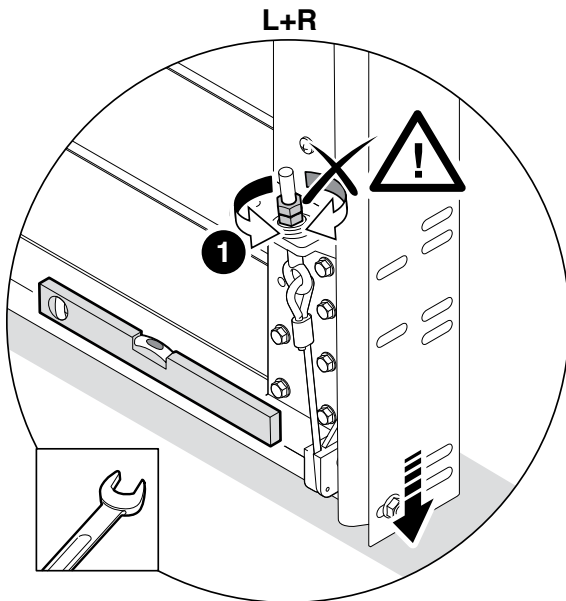
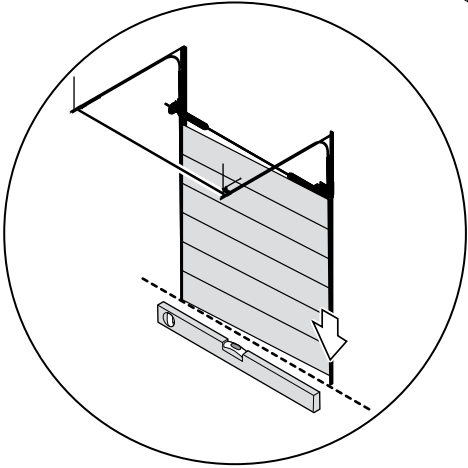
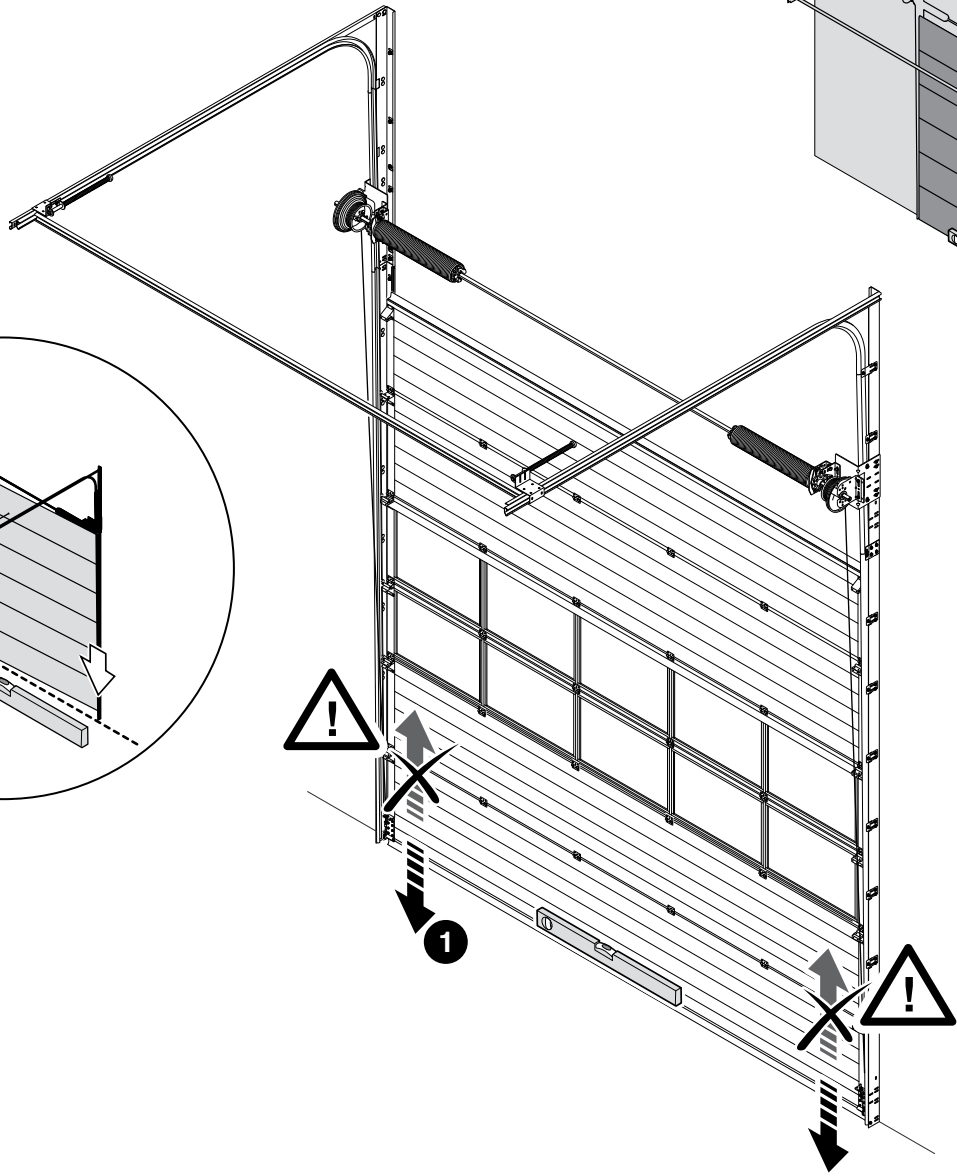
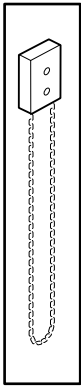
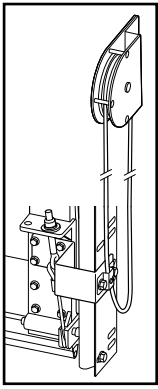


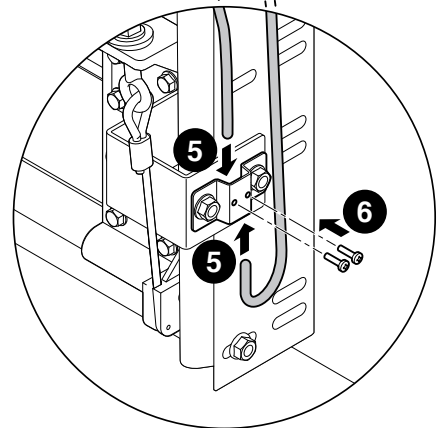
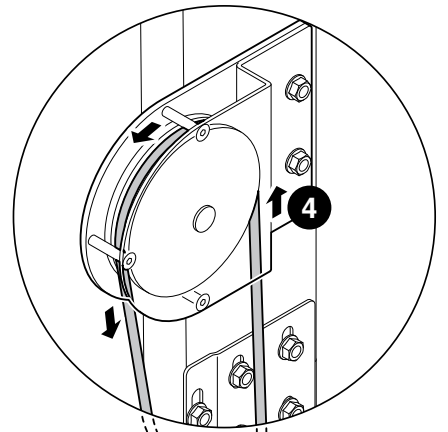
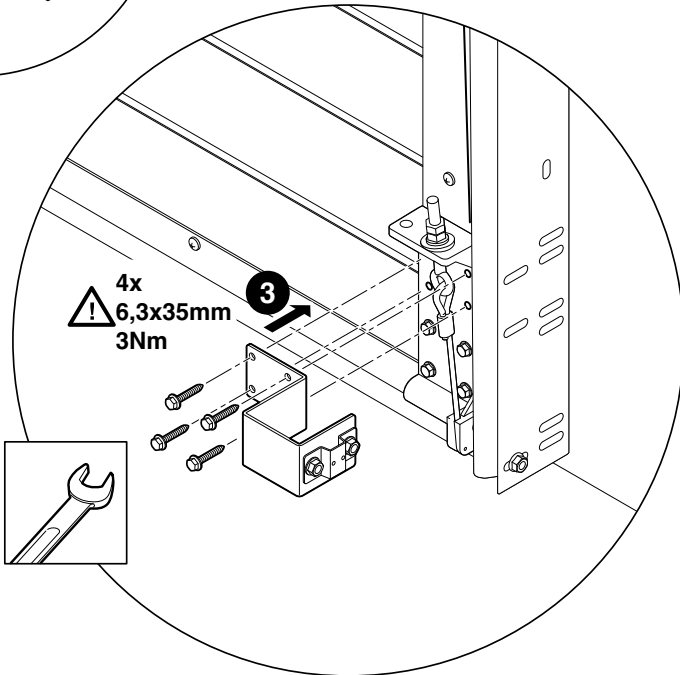
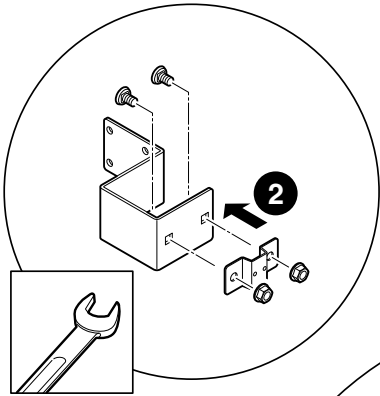
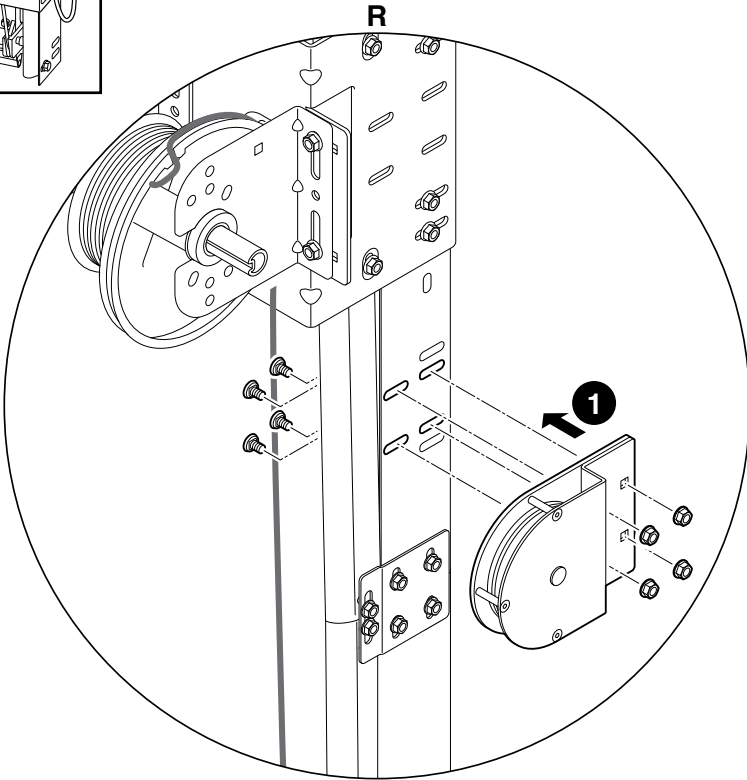
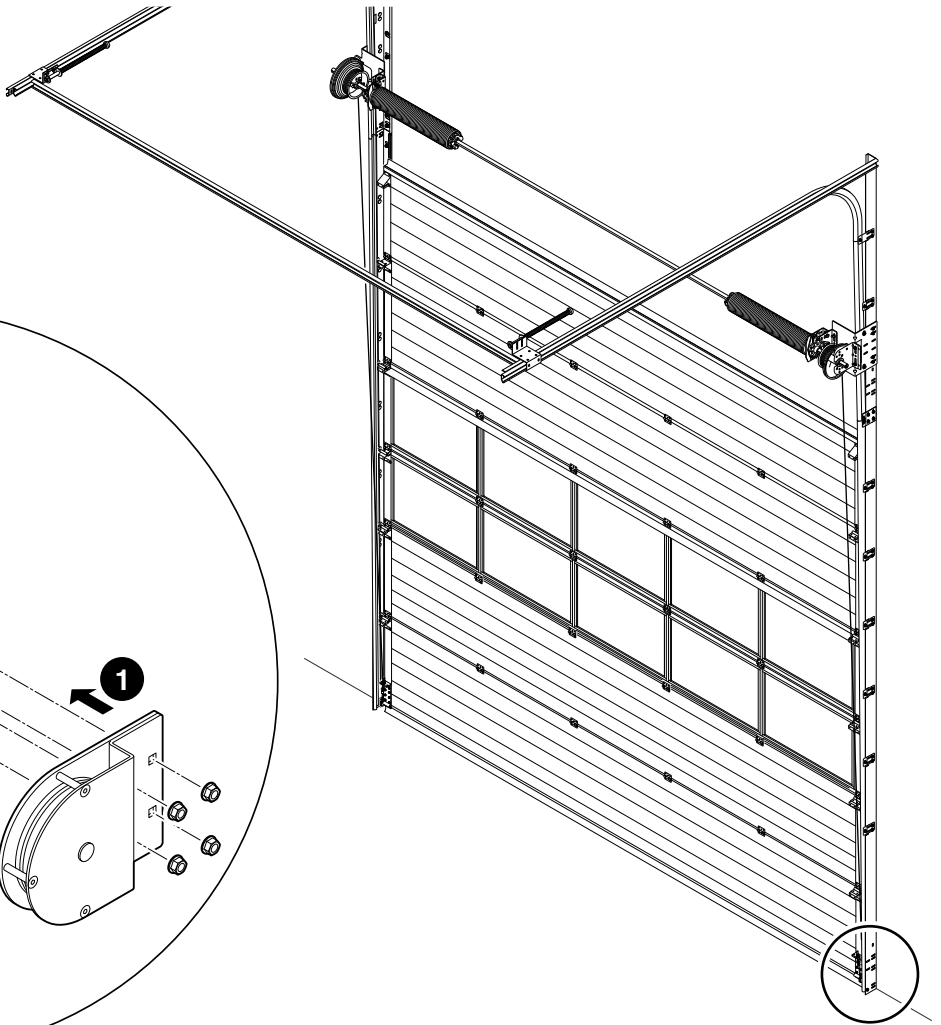
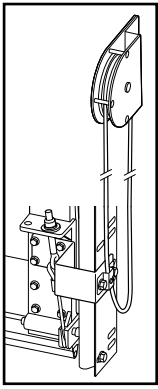
4

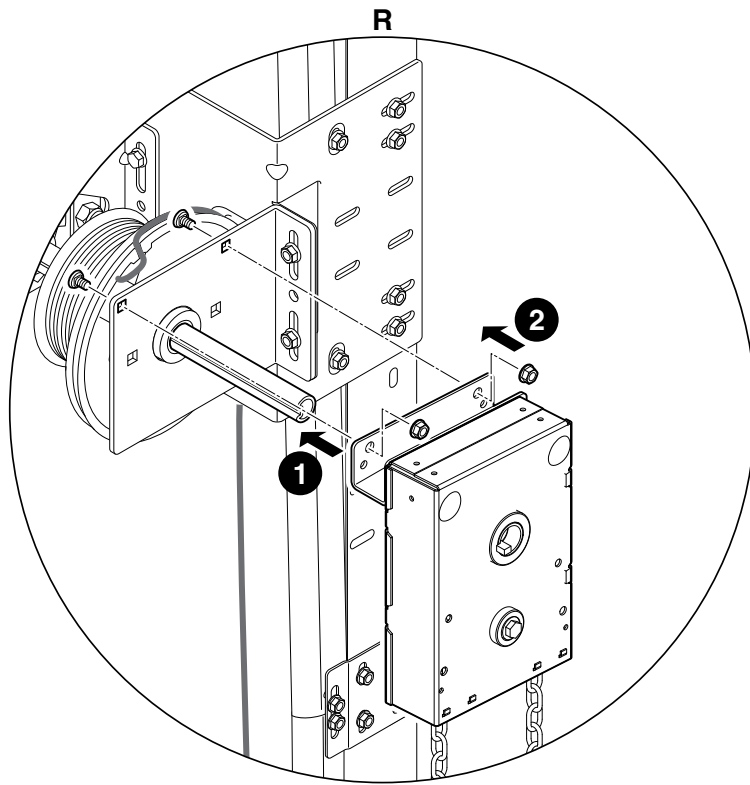
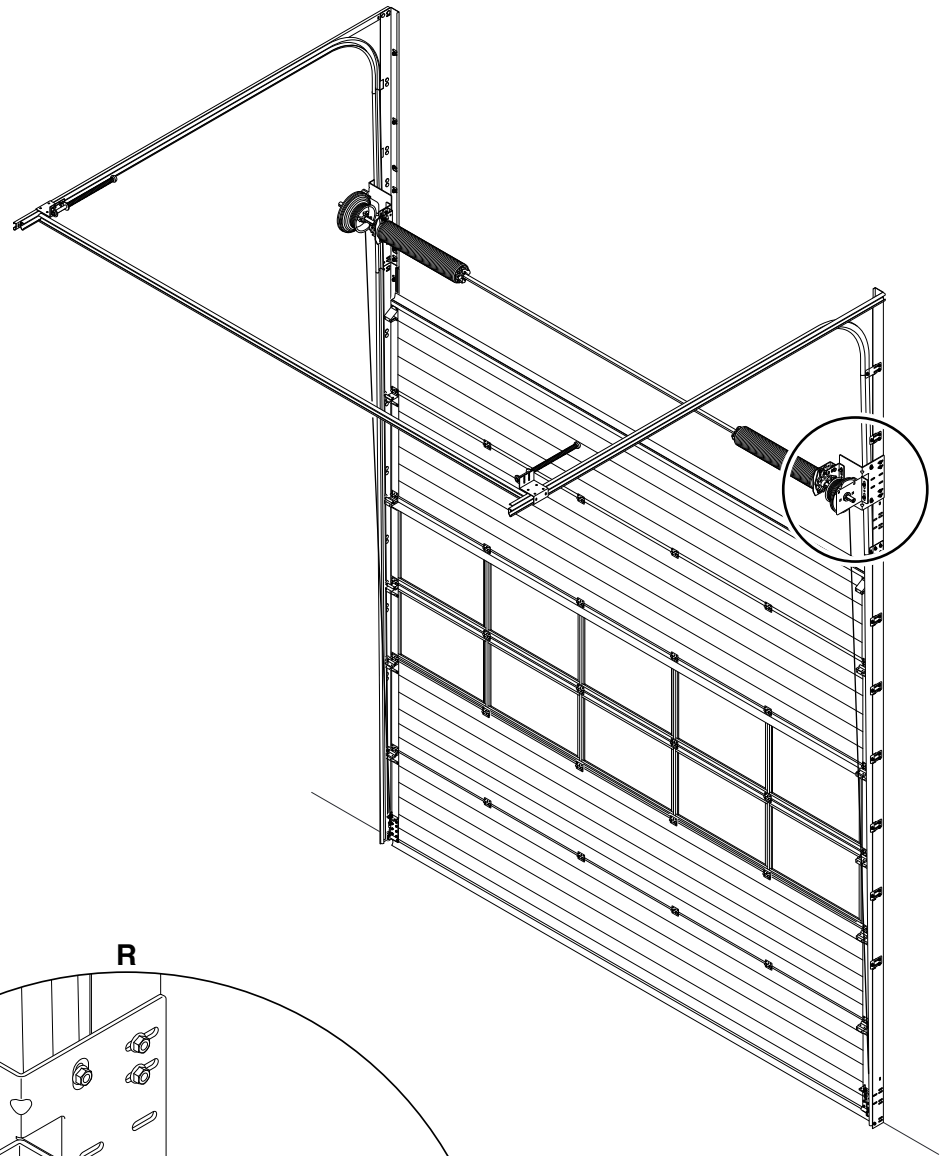
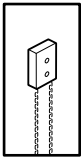
5

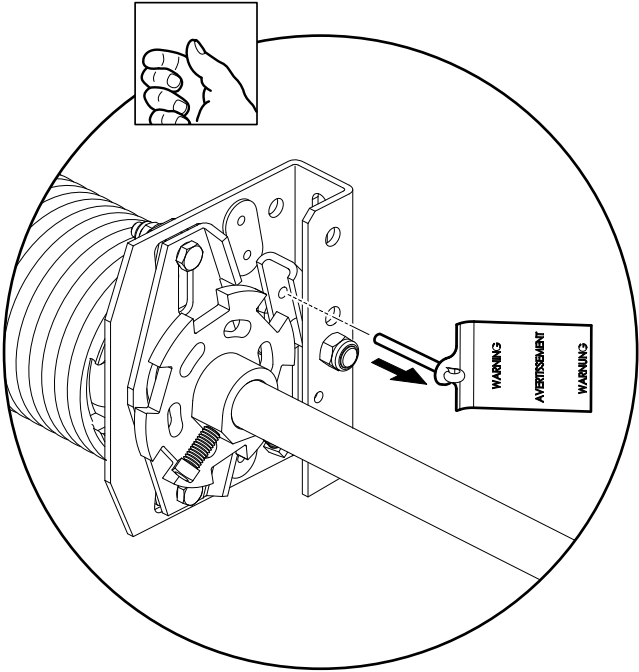
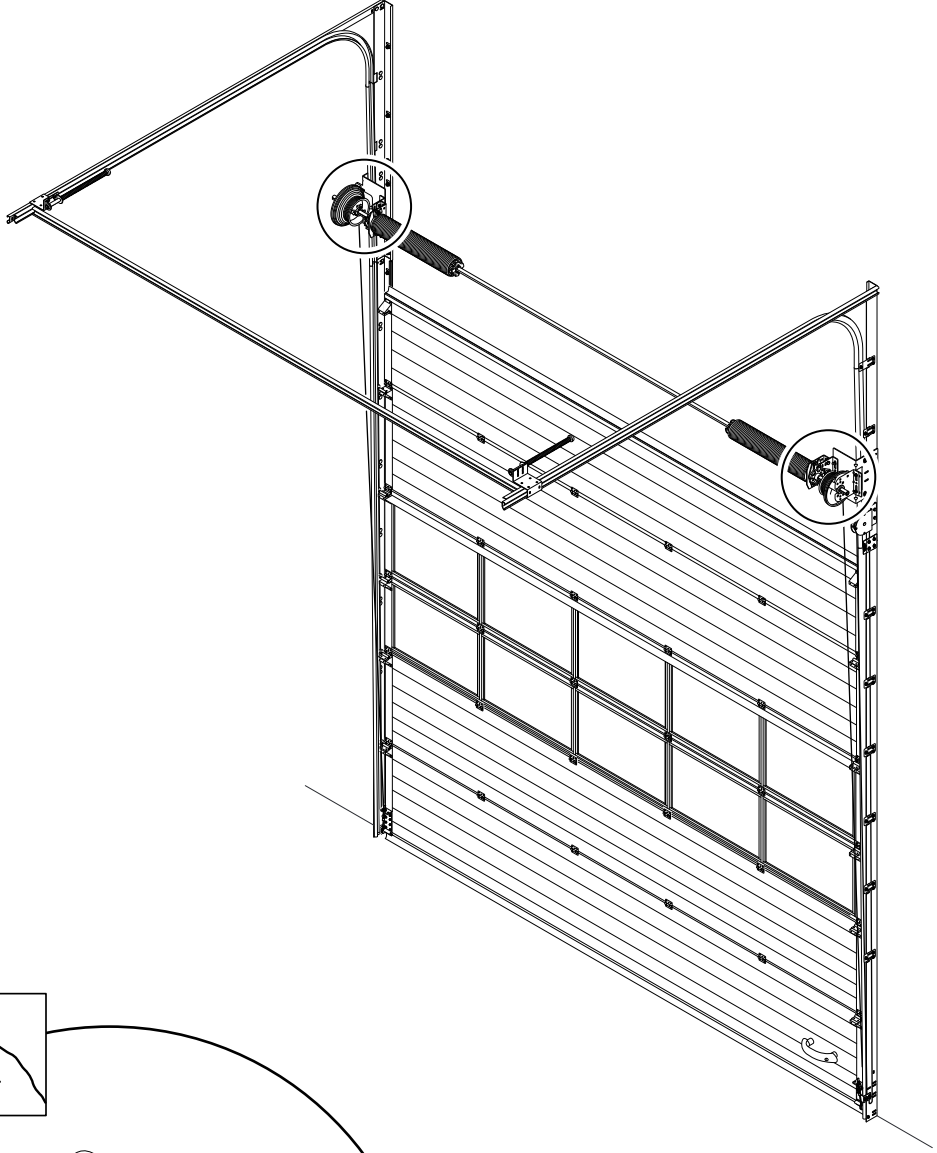
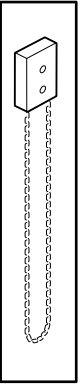
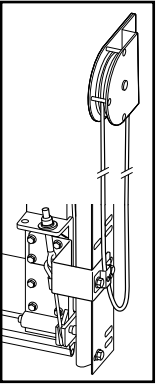


5











© **Copyright Alpha deuren International b.v.**

This manual was prepared and issued by Alpha deuren International B.V. Netherlands. It is supplied to approved agents of Alpha deuren International B.V. All rights are reserved. The information in this document is the property of Alpha deuren International B.V., the Netherlands. Disclosure of this information or any part of it to third parties is prohibited, except with prior and express written permission of Alpha deuren International B.V., the Netherlands.

