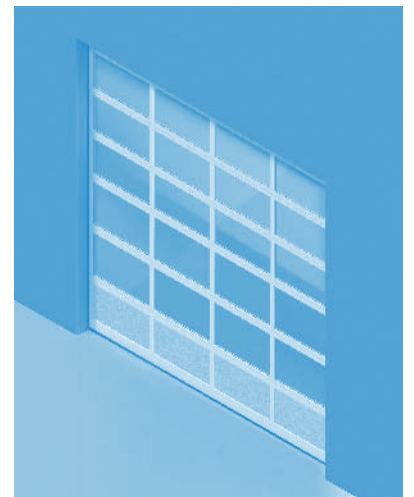
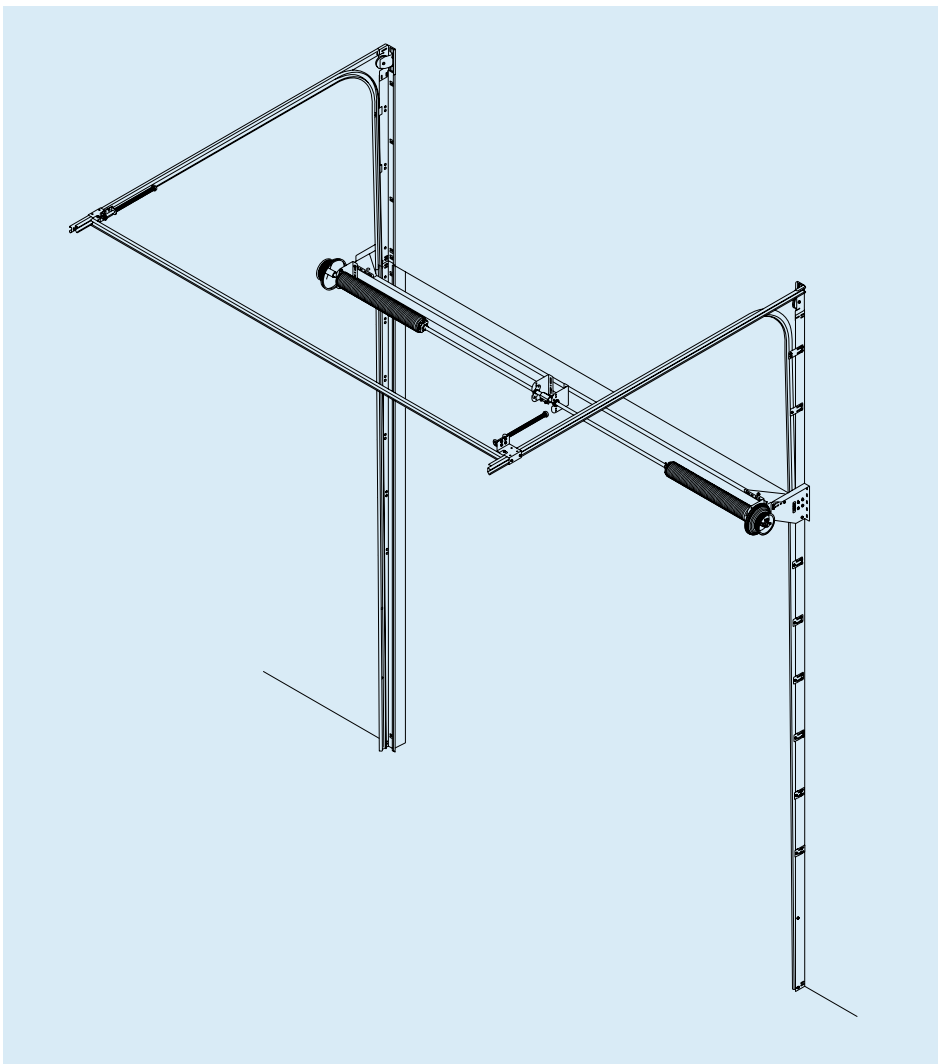
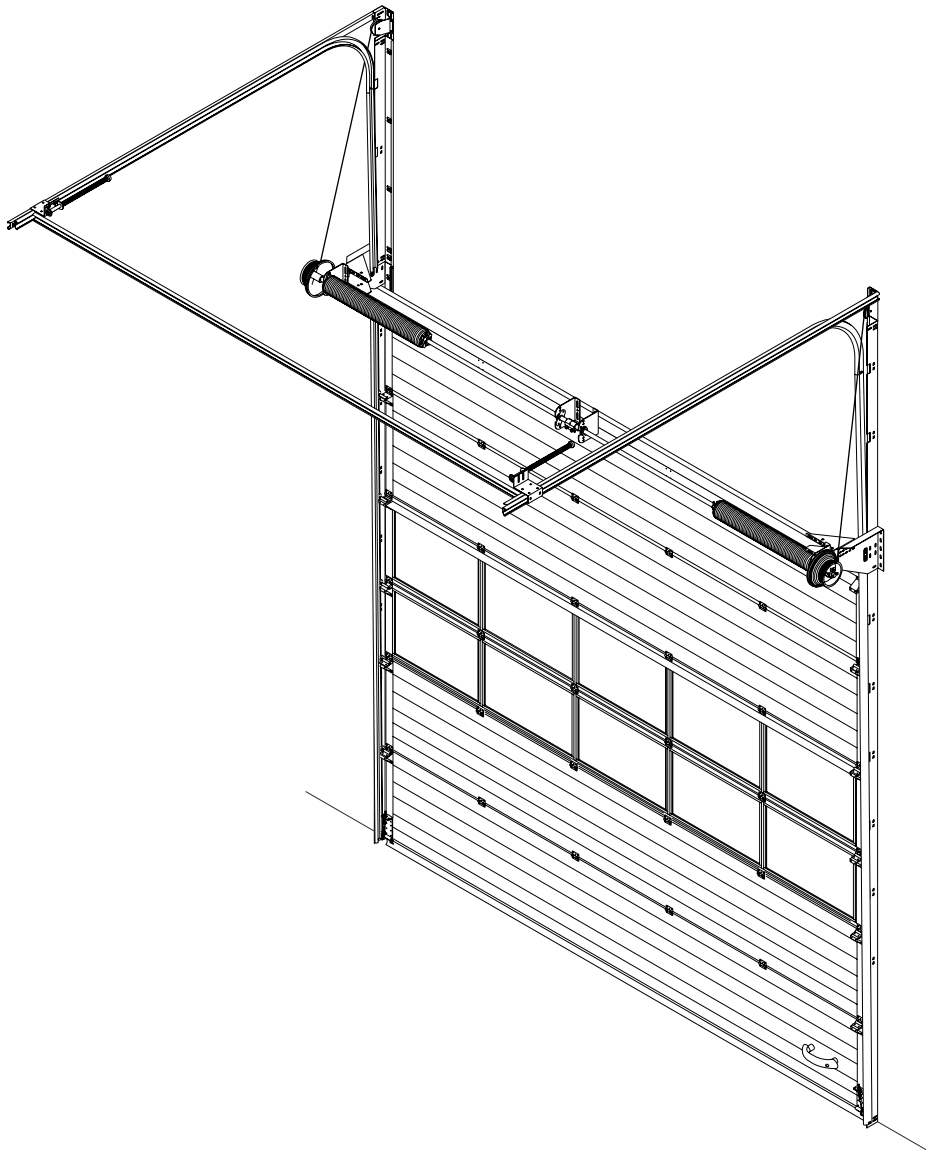


T 400 hF

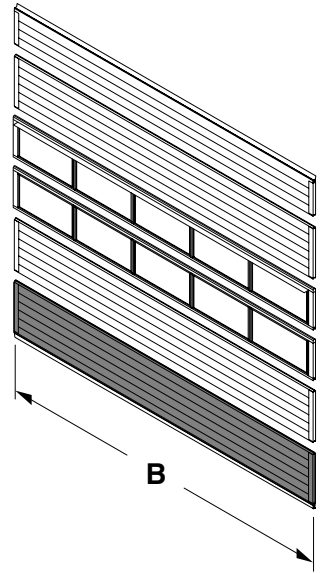






T 400hF

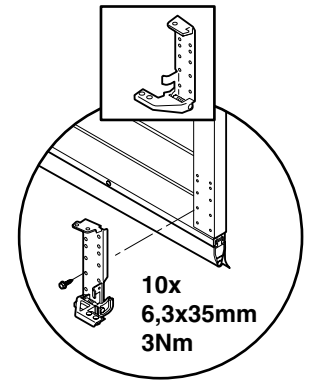
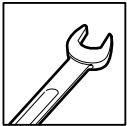
B < 5000mm



2x
6,3x35mm
3Nm
2x
6,3x15mm
3Nm

10x
6,3x35mm
3Nm

2x
6,3x25mm
3Nm



10x
6,3x35mm
3Nm

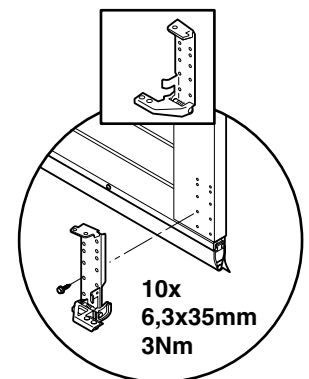
4x
6,3x35mm
3Nm
4x
6,3x15mm
3Nm

10x
6,3x35mm
3Nm

2x
6,3x25mm
3Nm



B > 5000mm

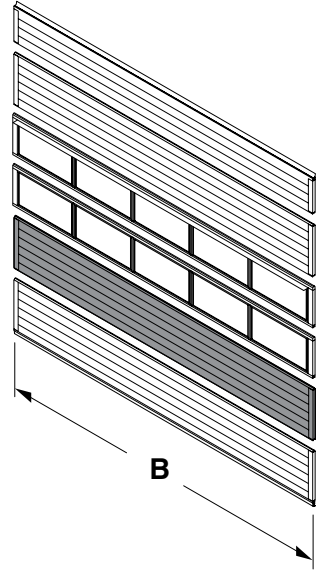


10x
6,3x35mm
3Nm



T 400hF

B < 5000mm

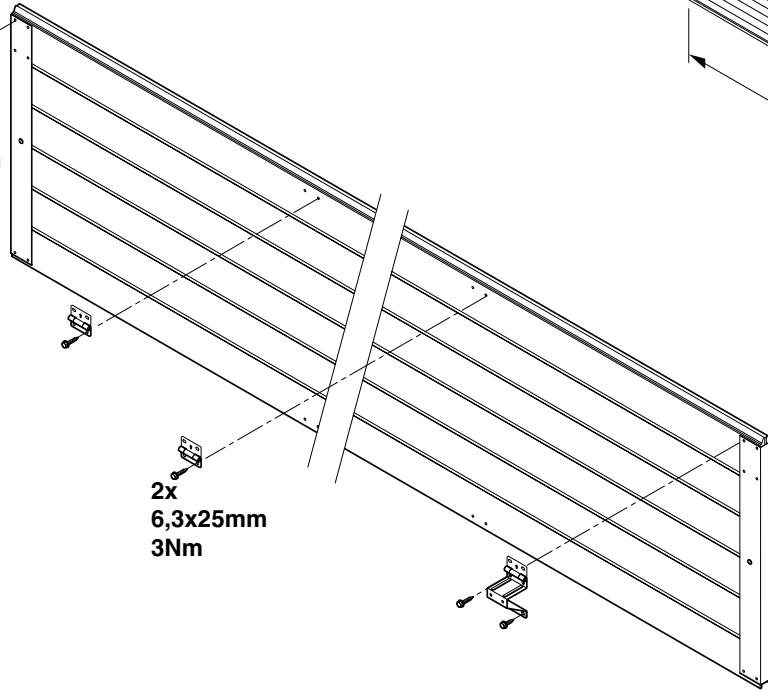


2x
6,3x35mm
3Nm

2x
6,3x15mm
3Nm



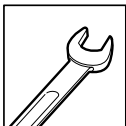
2x
6,3x25mm
3Nm



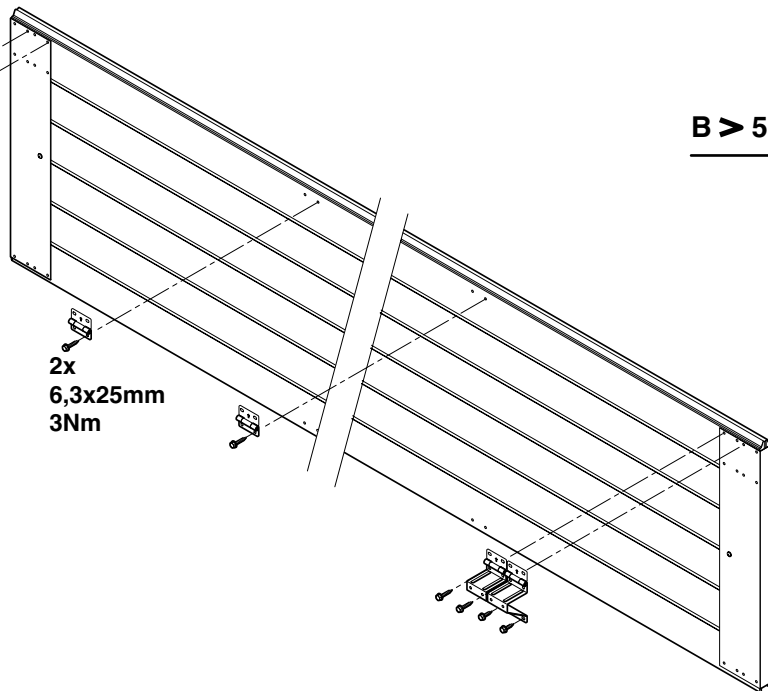
B > 5000mm

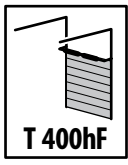
4x
6,3x35mm
3Nm

4x
6,3x15mm
3Nm

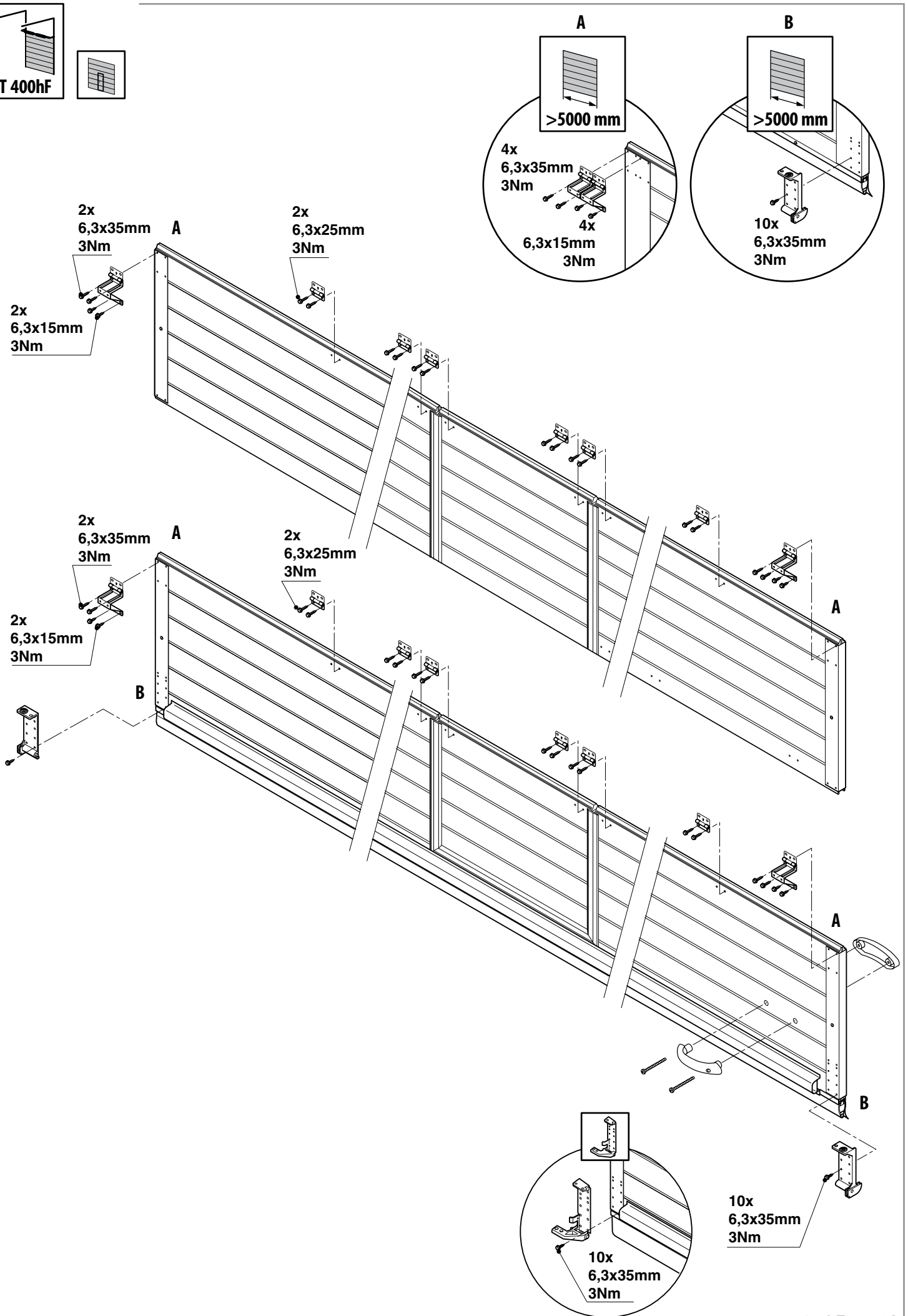


2x
6,3x25mm
3Nm





T 400hF



2x
6,3x35mm
3Nm

2x
6,3x15mm
3Nm

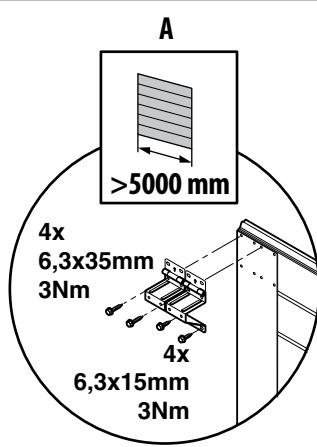
2x
6,3x25mm
3Nm

2x
6,3x35mm
3Nm

2x
6,3x15mm
3Nm

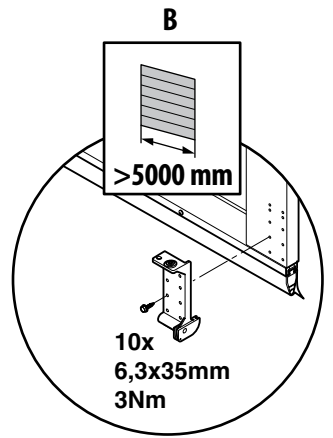
2x
6,3x25mm
3Nm

10x
6,3x35mm
3Nm

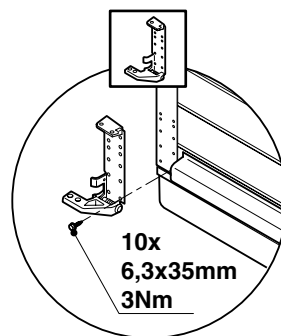


4x
6,3x35mm
3Nm

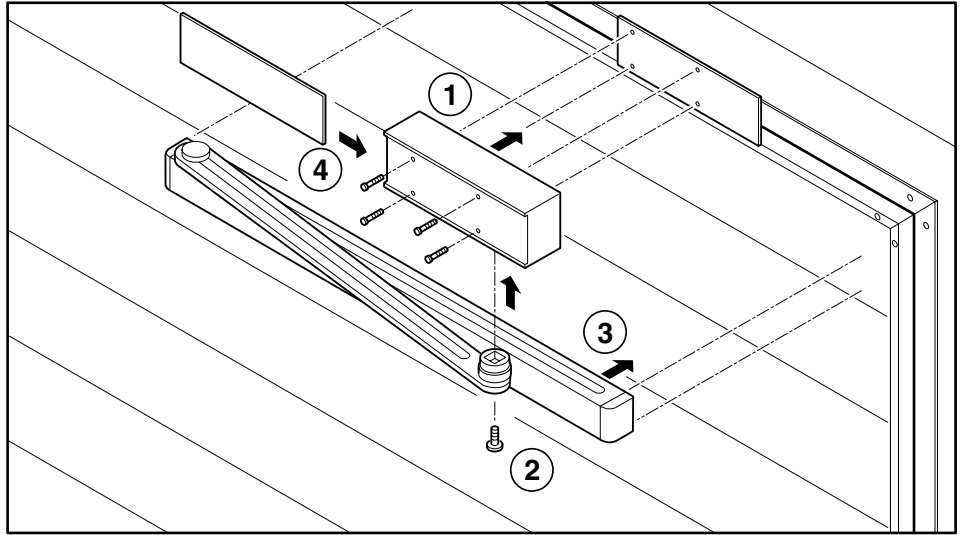
4x
6,3x15mm
3Nm



10x
6,3x35mm
3Nm

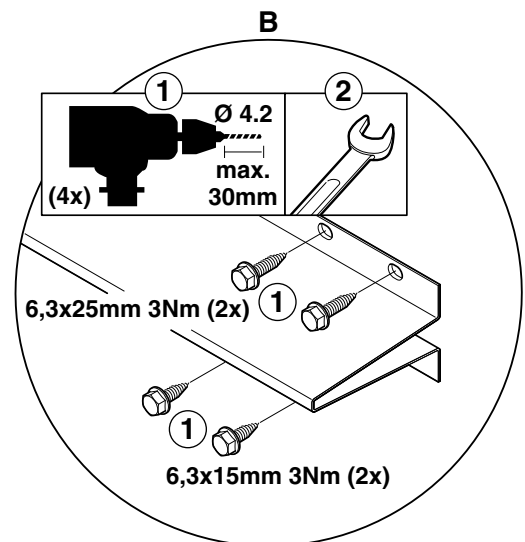
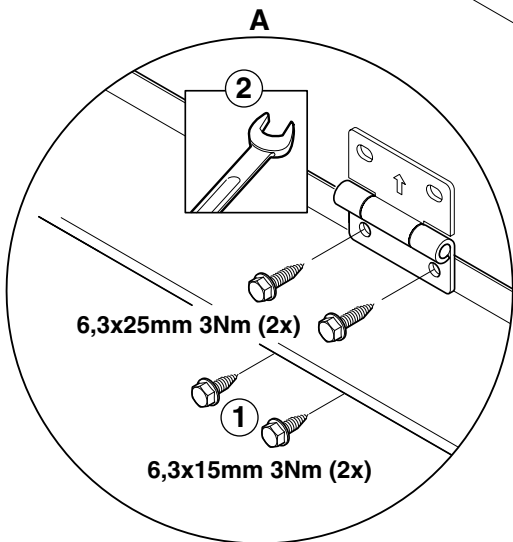
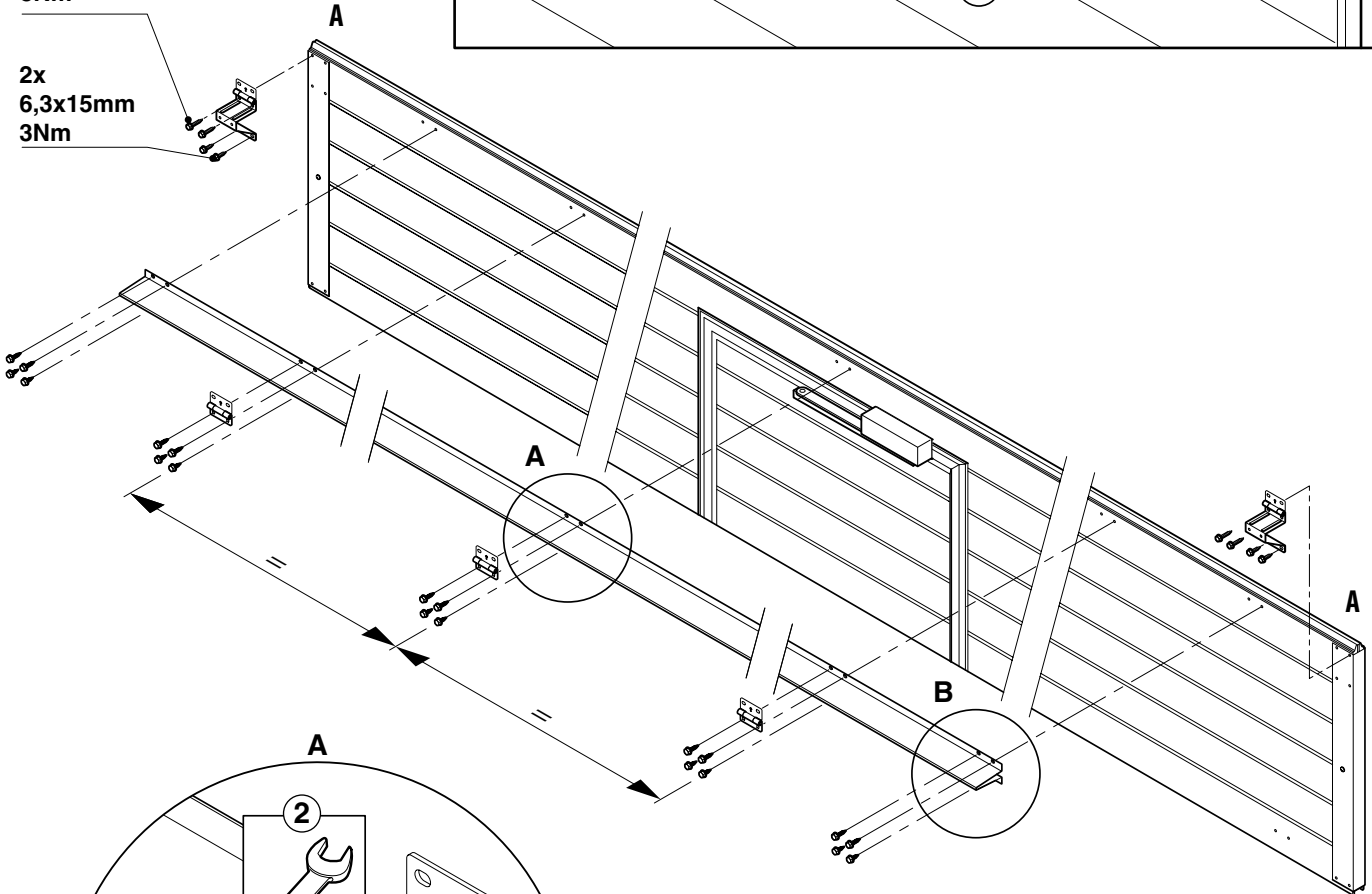


10x
6,3x35mm
3Nm



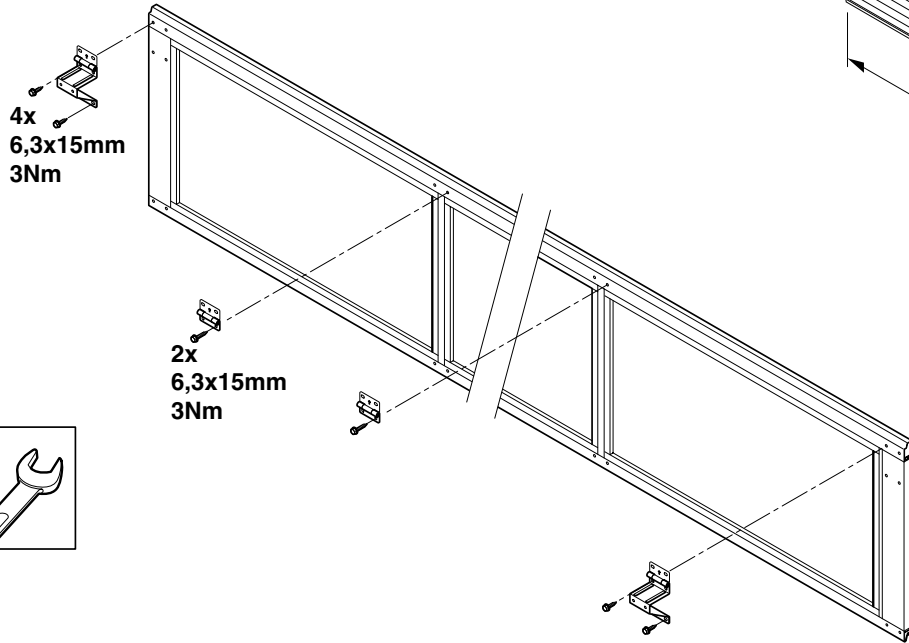
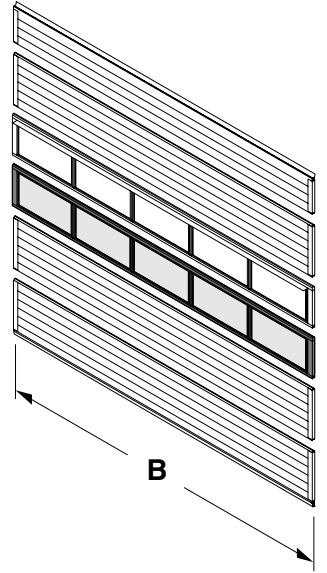
2x
6,3x35mm
3Nm

2x
6,3x15mm
3Nm

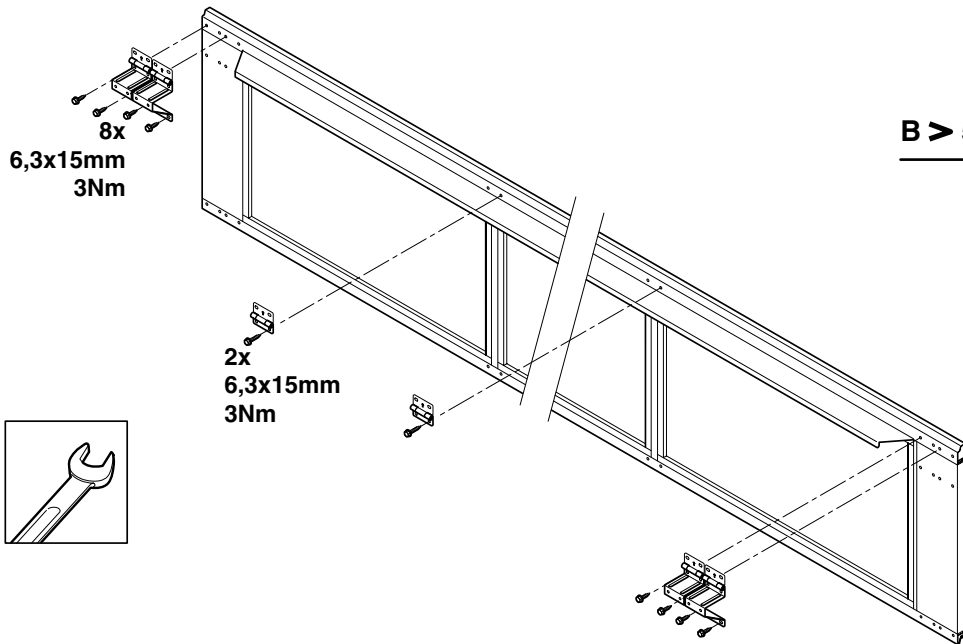




B < 5000mm

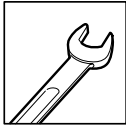
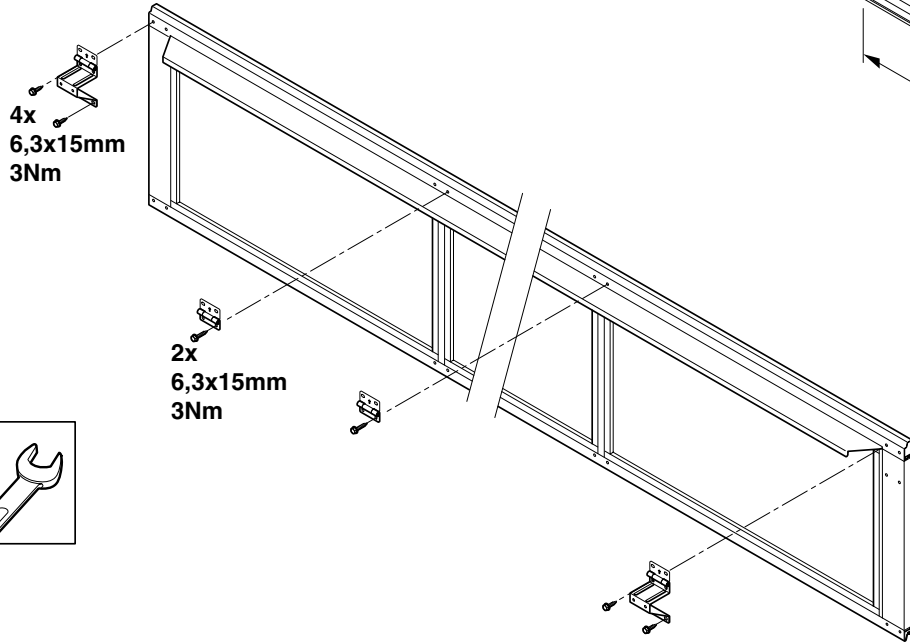
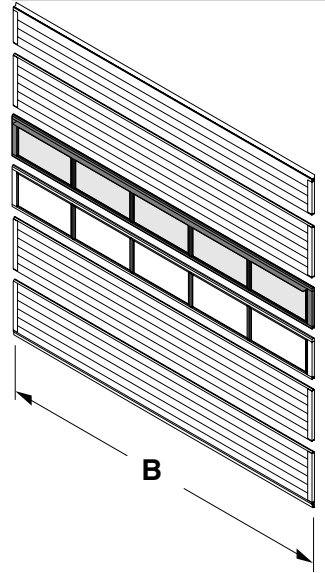


B > 5000mm

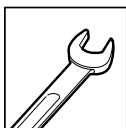
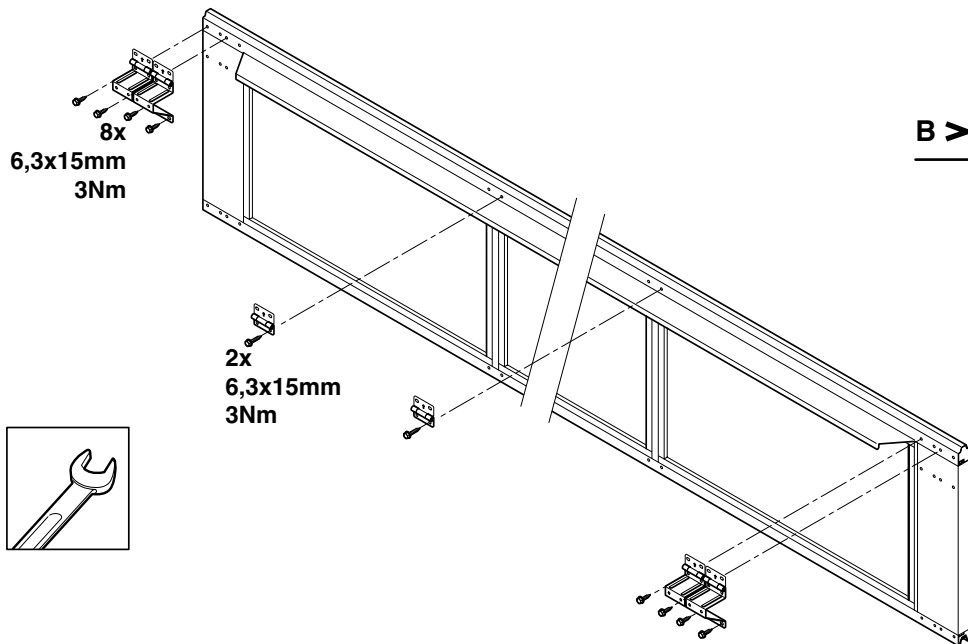




B < 5000mm

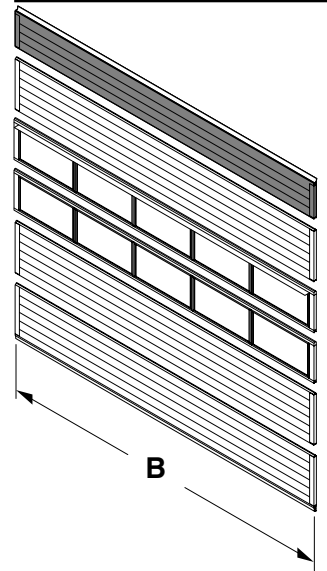


B > 5000mm





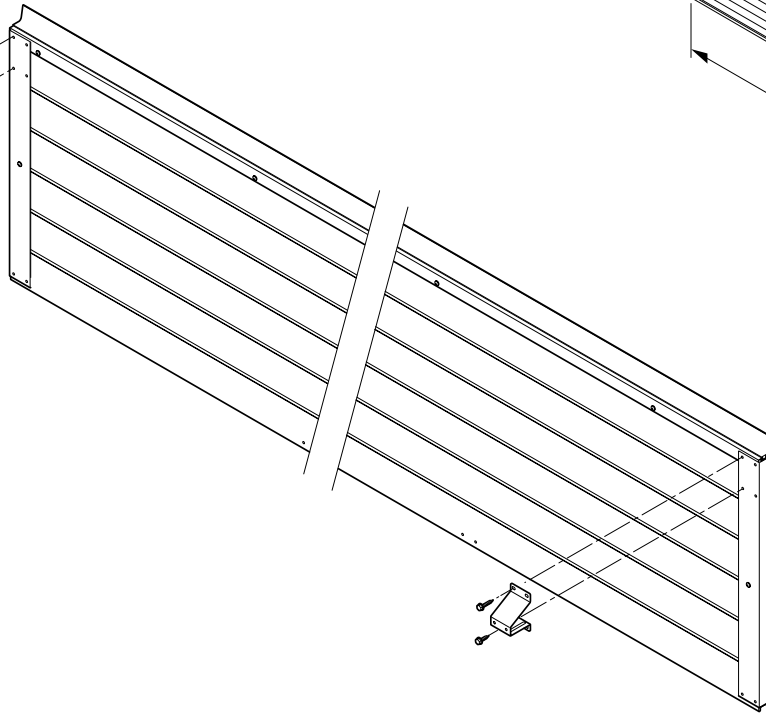
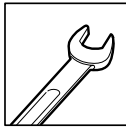
B < 5000mm



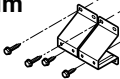
2x
6,3x35mm
3Nm



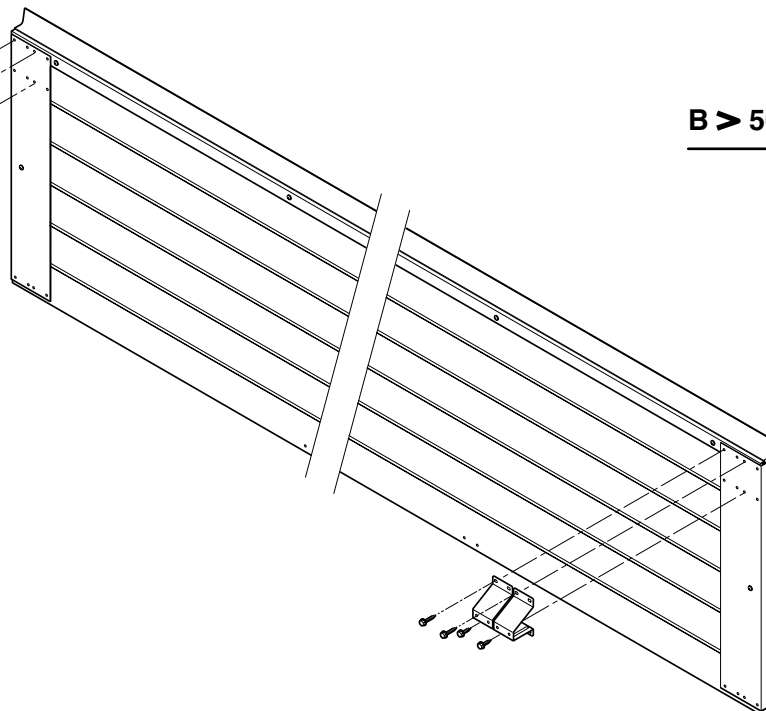
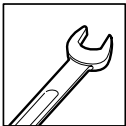
2x
6,3x15mm
3Nm



4x
6,3x35mm
3Nm



4x
6,3x15mm
3Nm

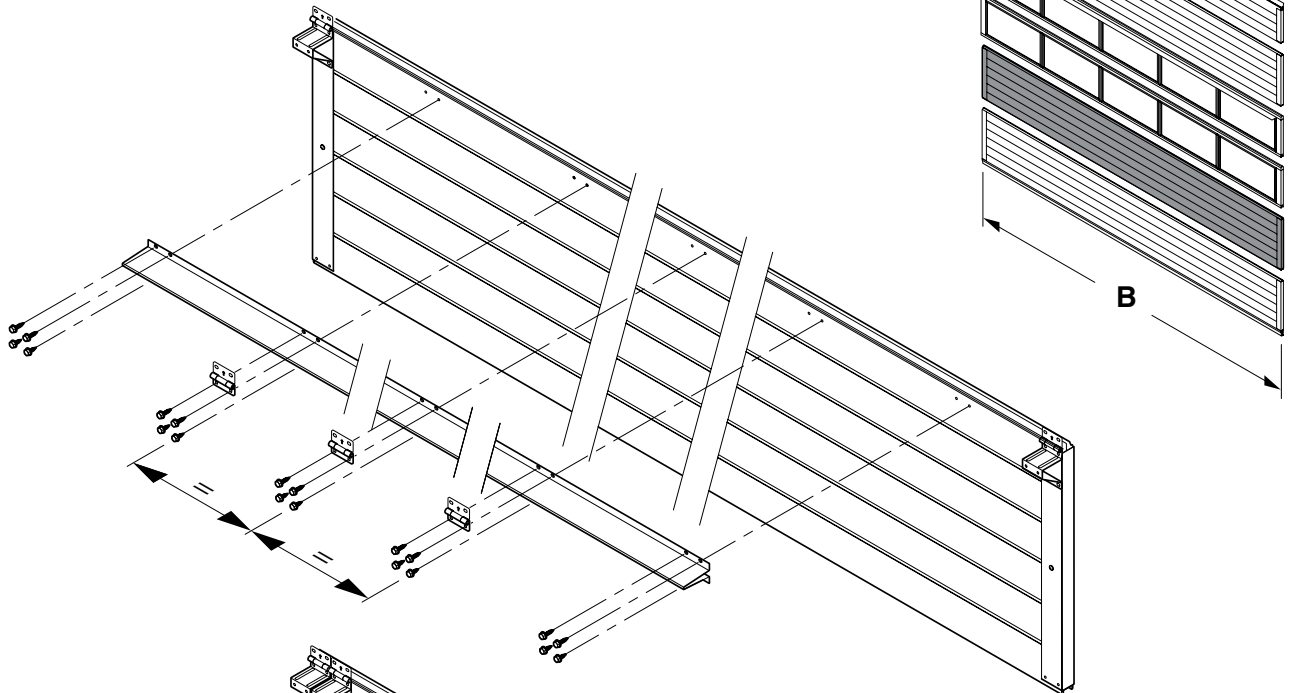


B > 5000mm

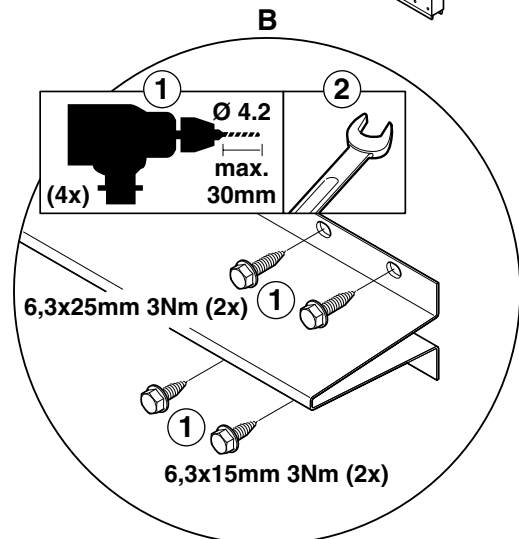
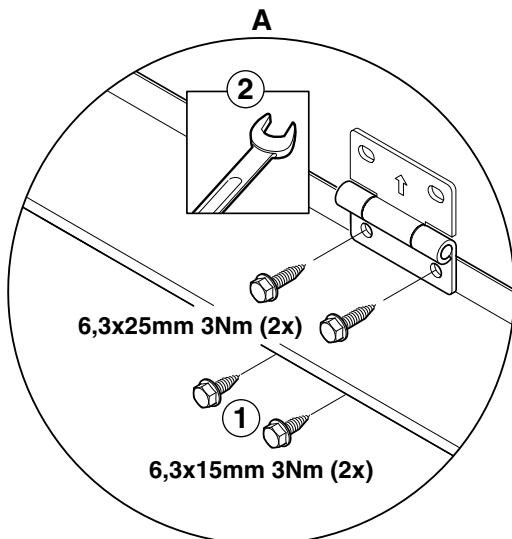
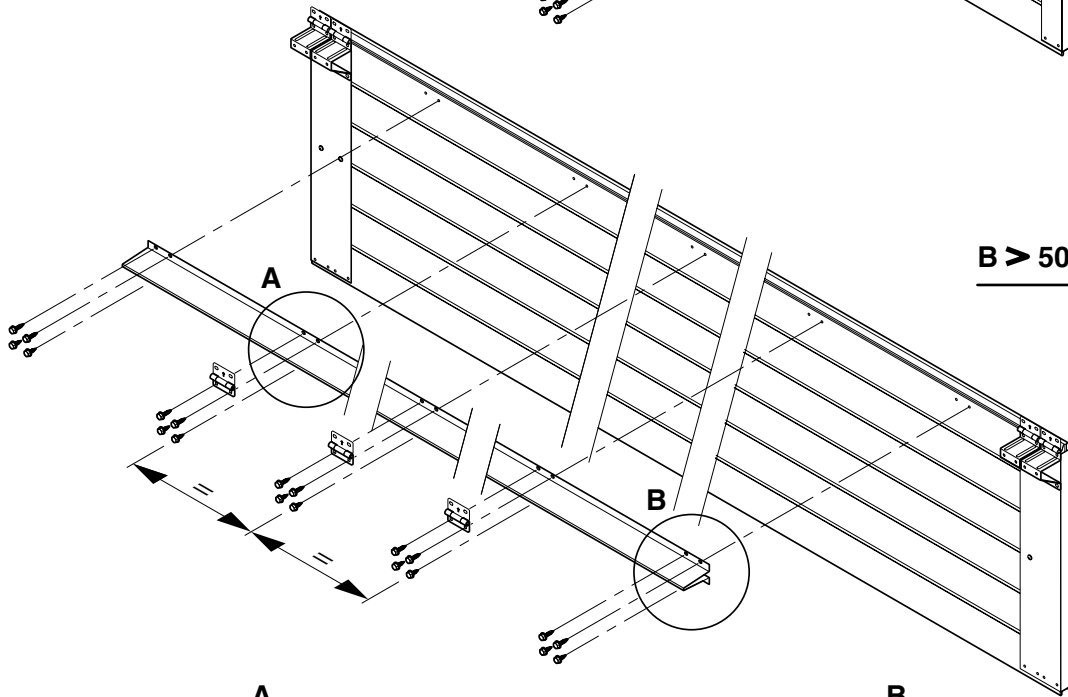


T 400hF

B < 5000mm

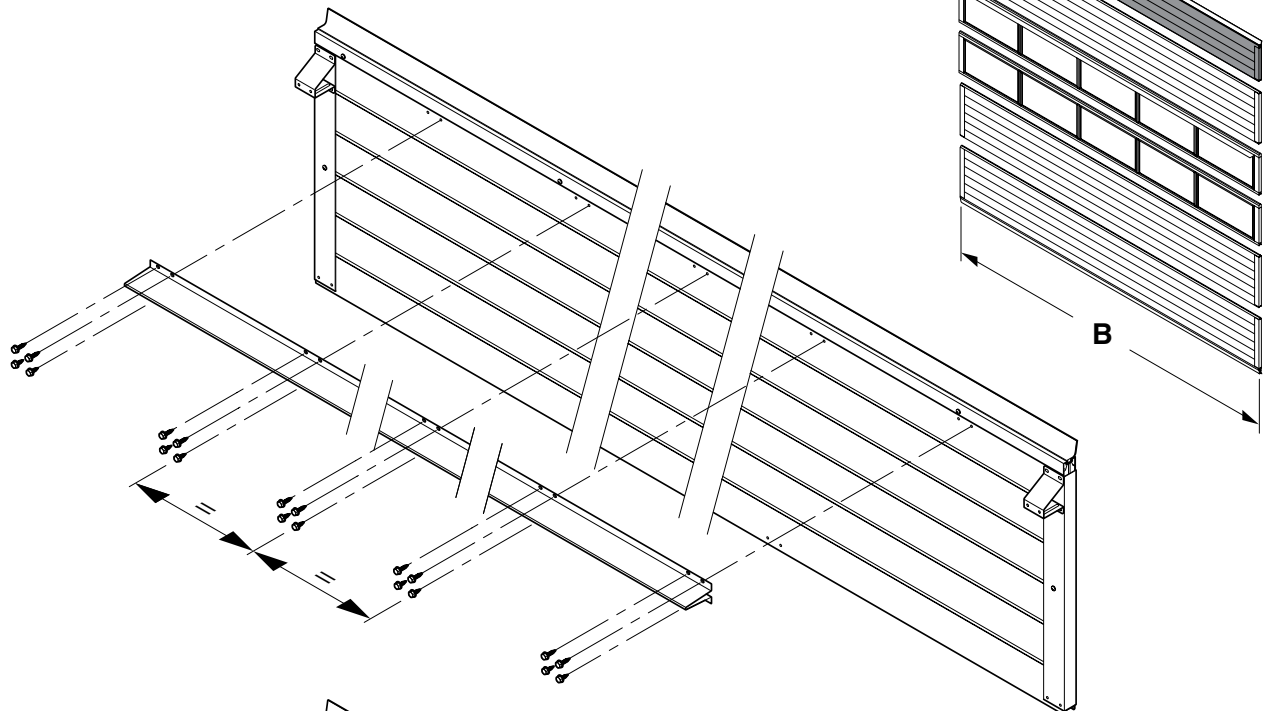


B > 5000mm

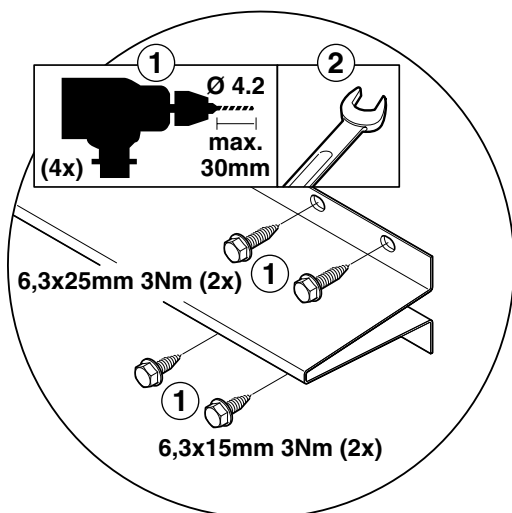
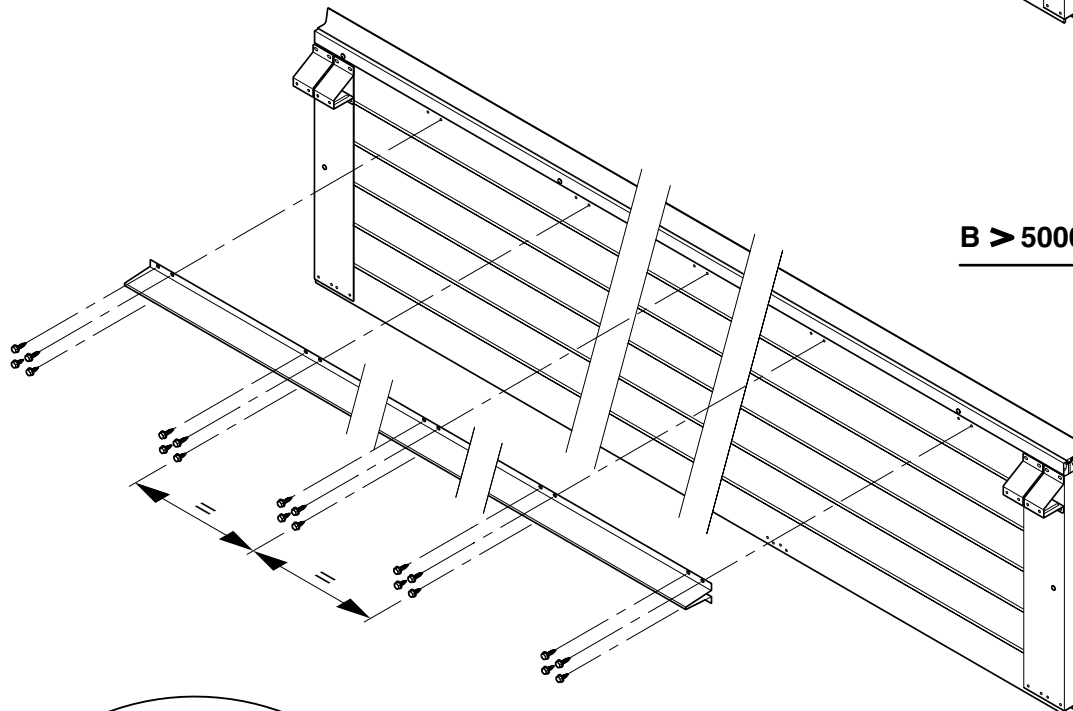


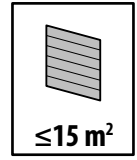
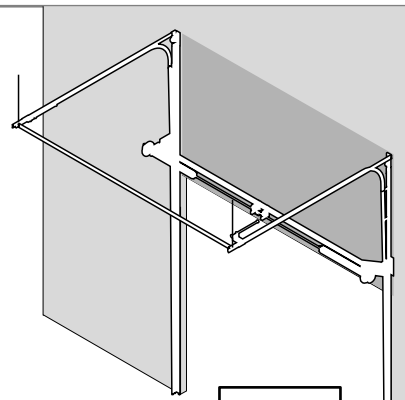
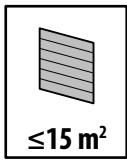


B < 5000mm

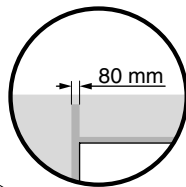


B > 5000mm





L+R



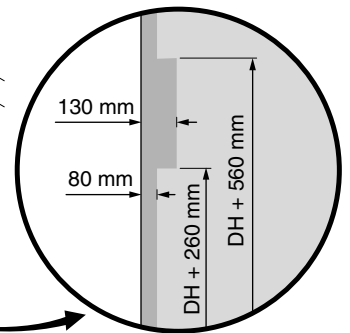
80 mm



200 mm

H_L

H



130 mm

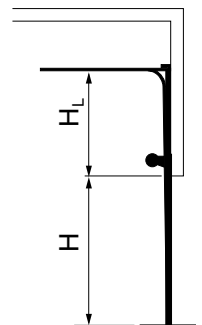
80 mm

DH + 260 mm

DH + 560 mm

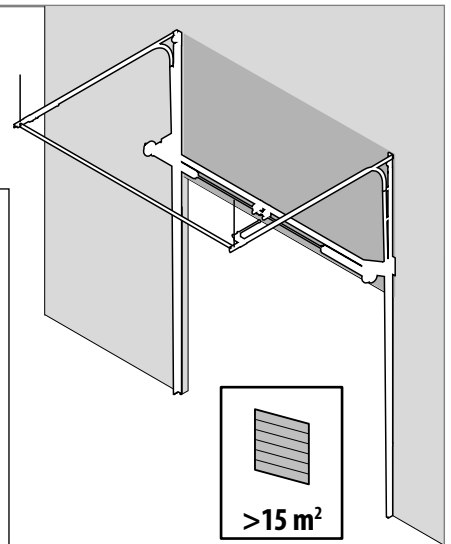
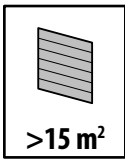
A - A

A - A



H_L

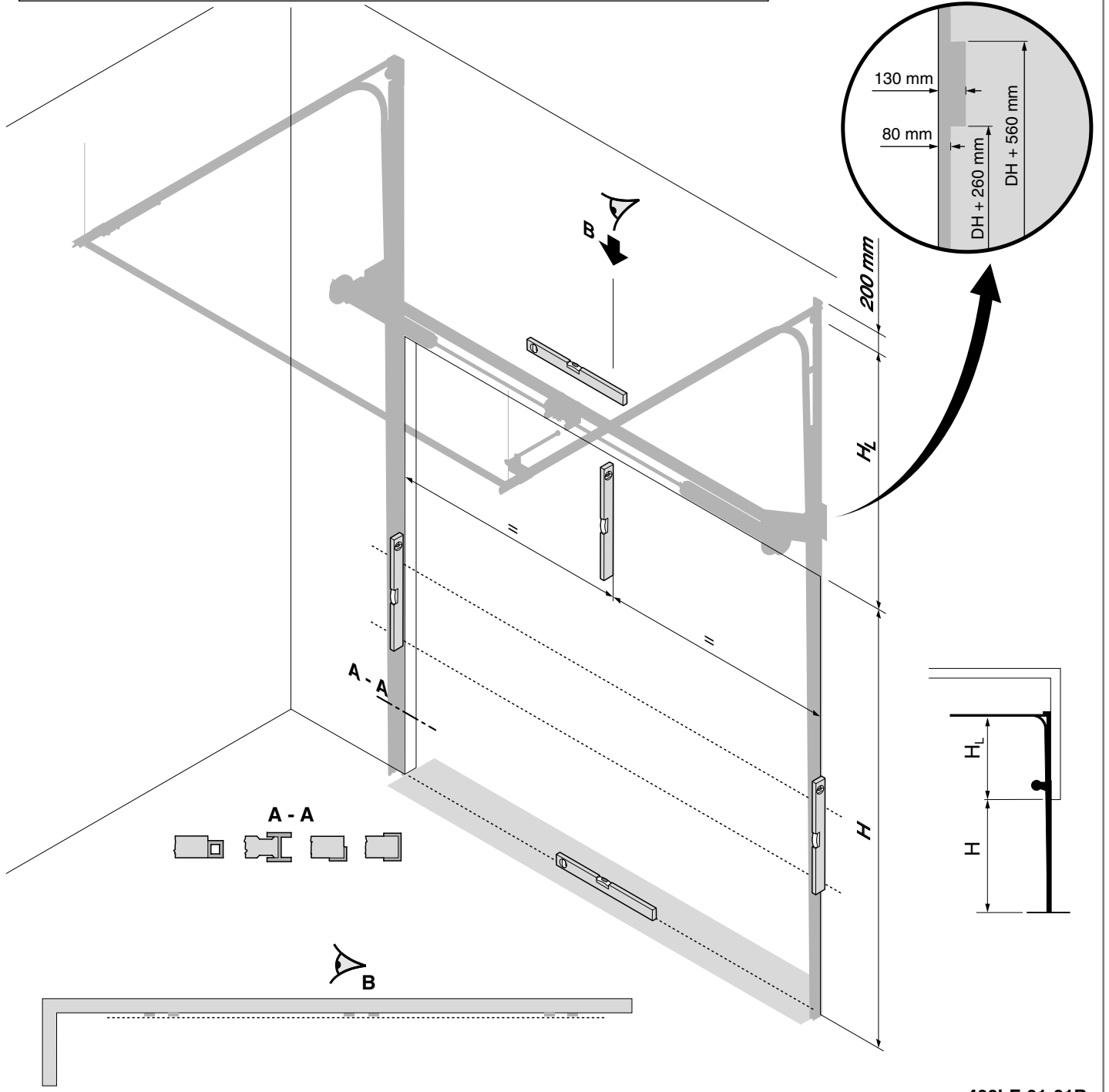
H

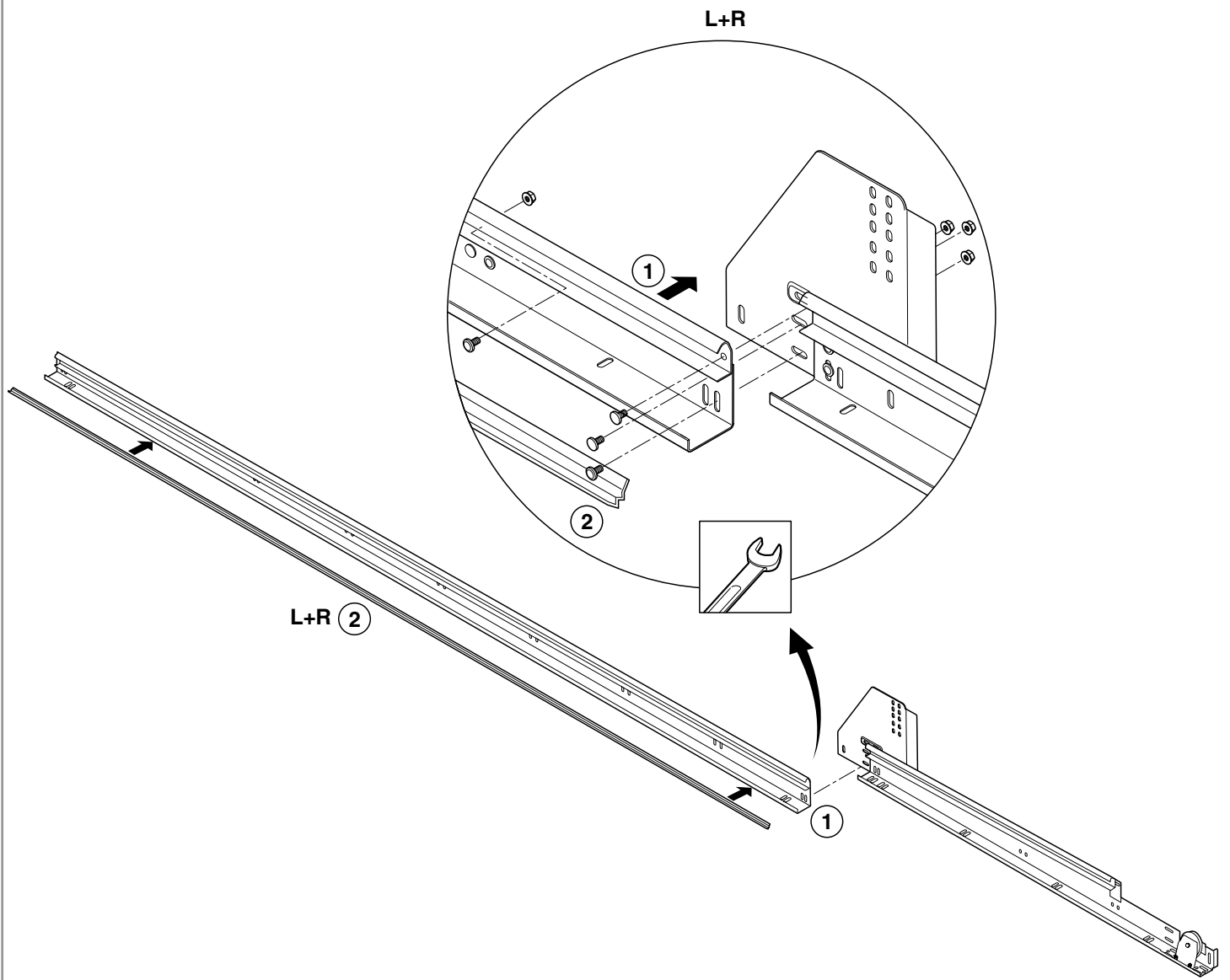
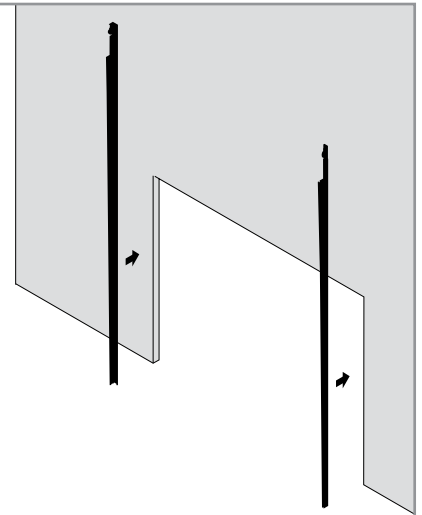


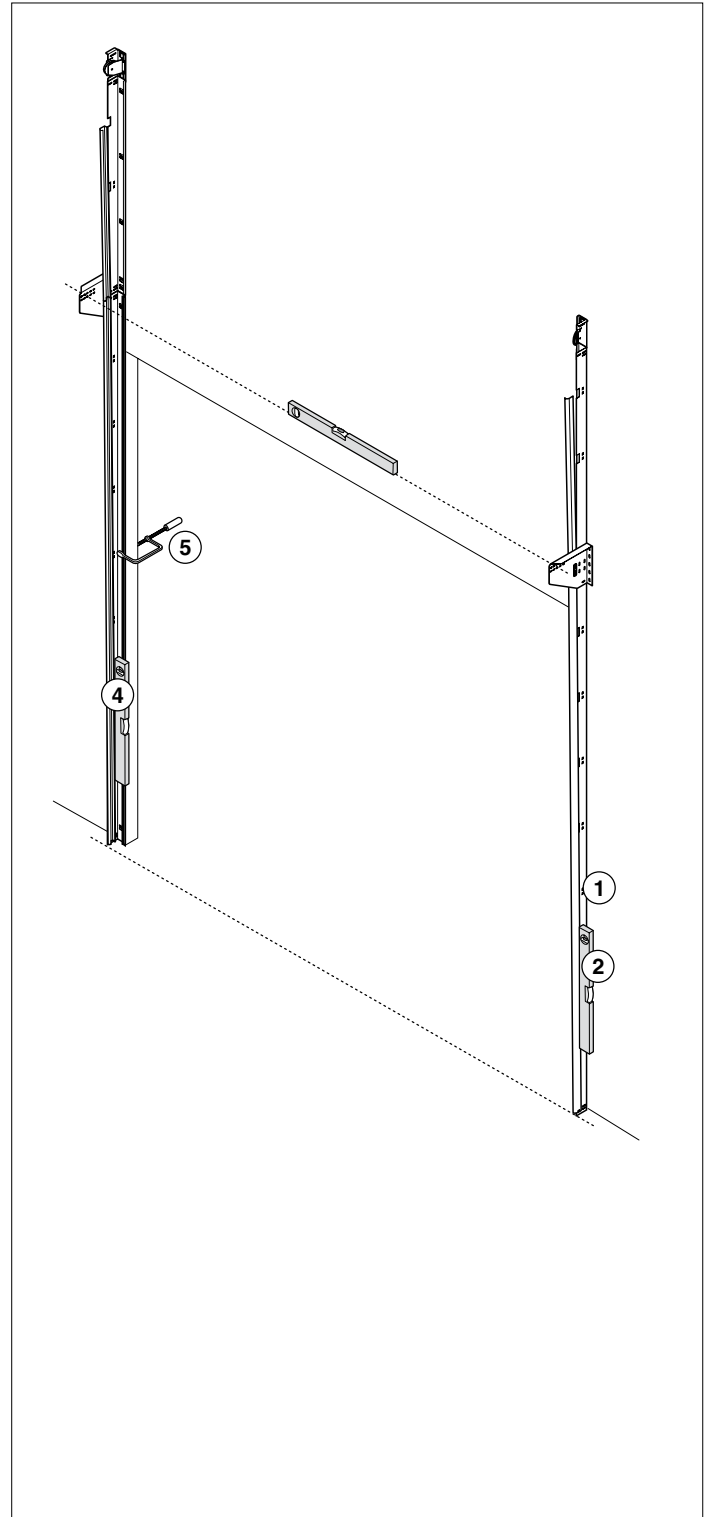
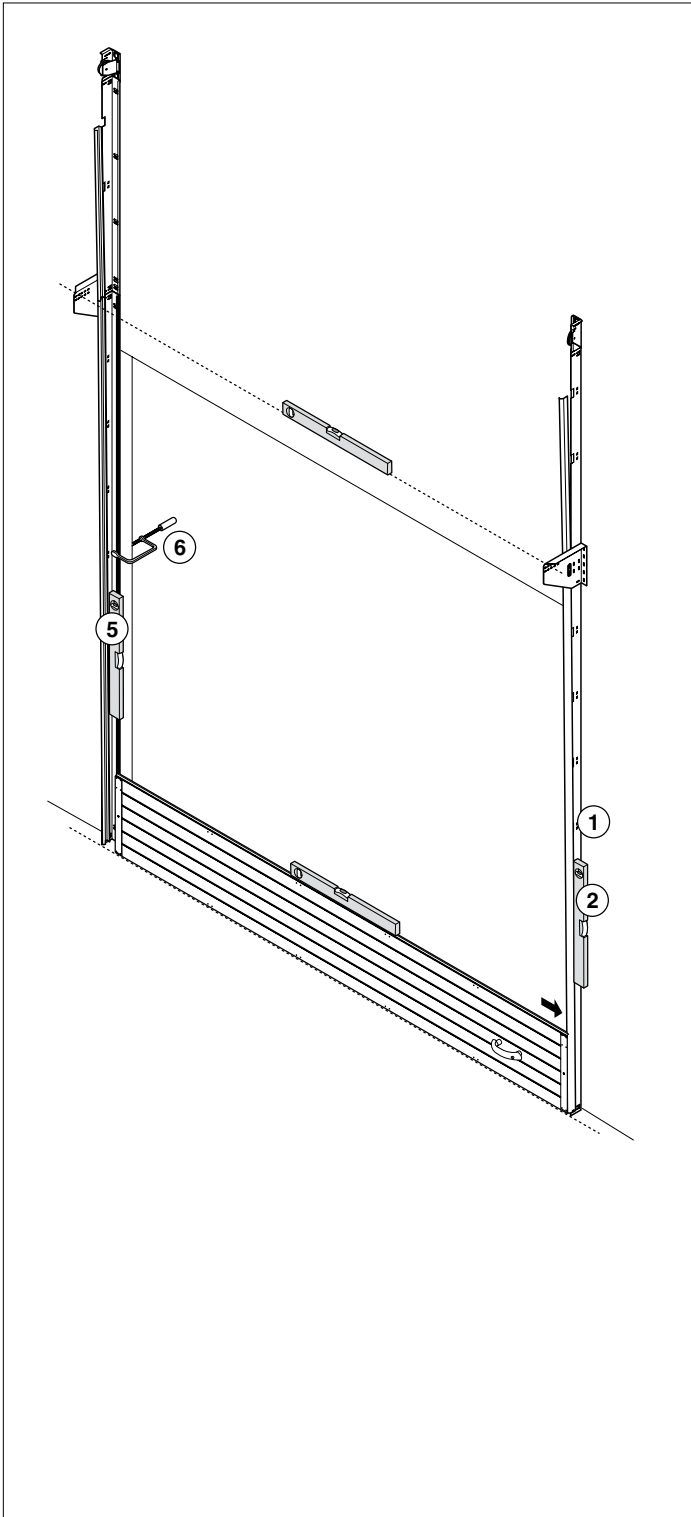
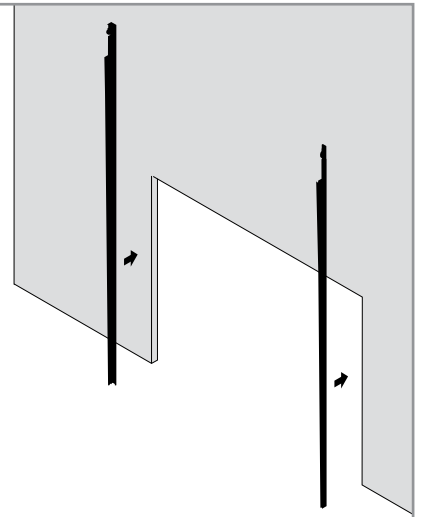
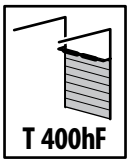
1

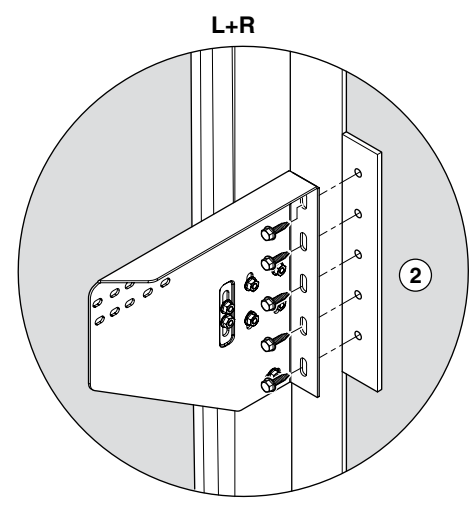
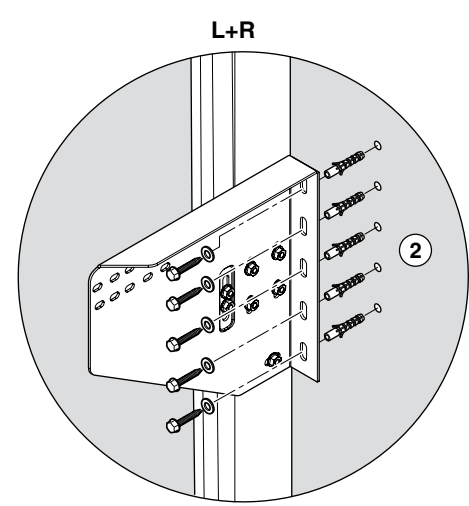
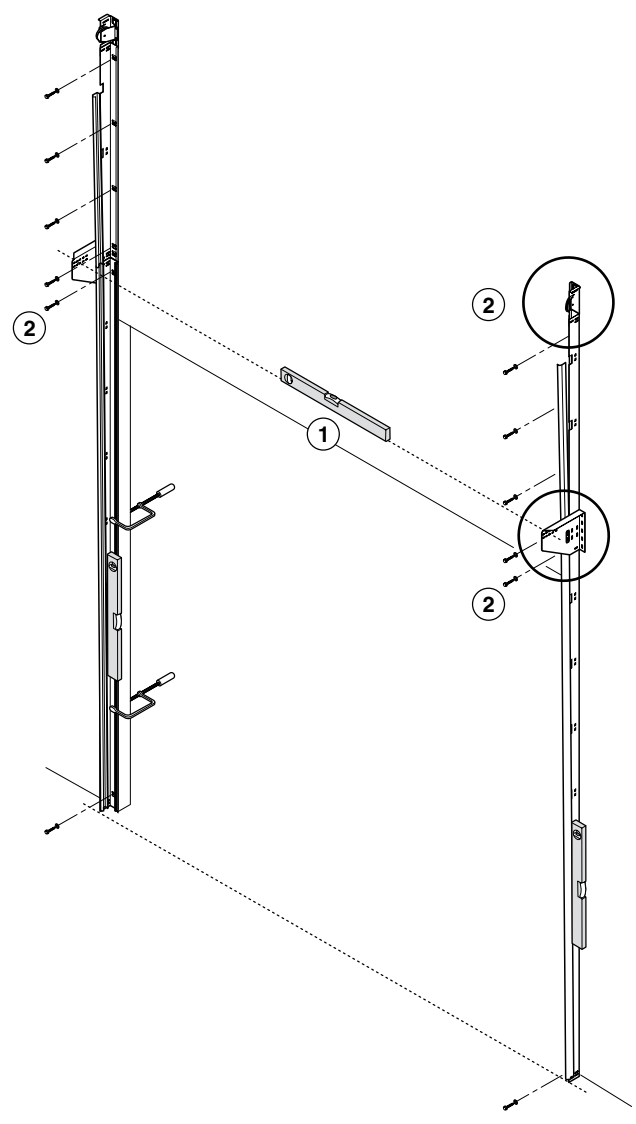
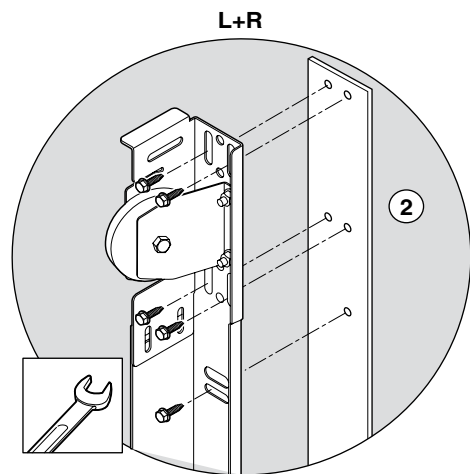
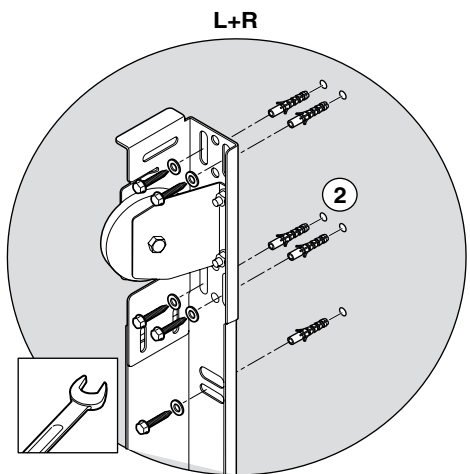
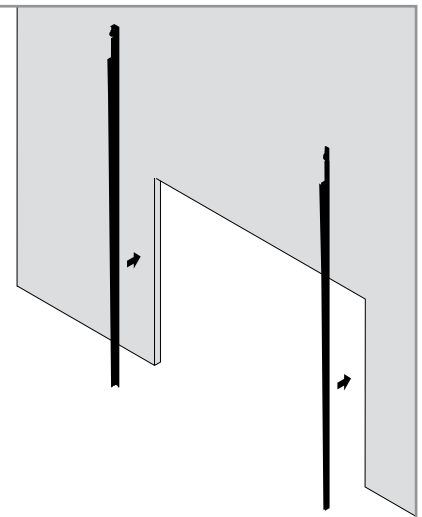
Informationen zur Kontrolle des Torpakets und zur Tormontage
Informations voor controle deurpakket en deurmontage
Informations pour contrôle colis et montage de la porte
Information for checking the door package and for door fitting

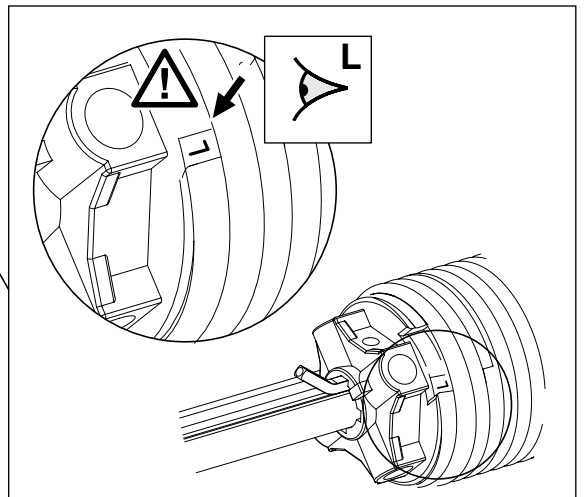
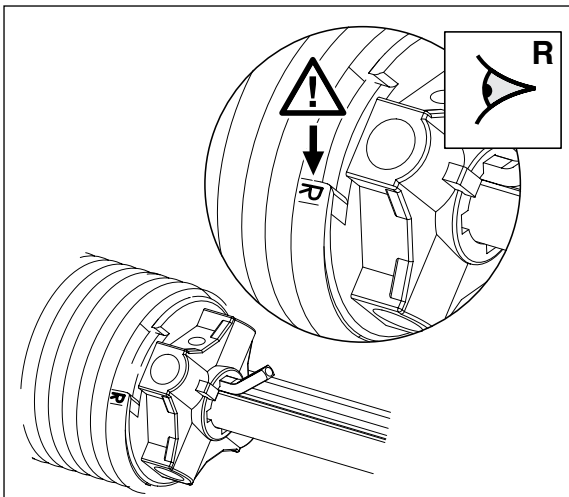
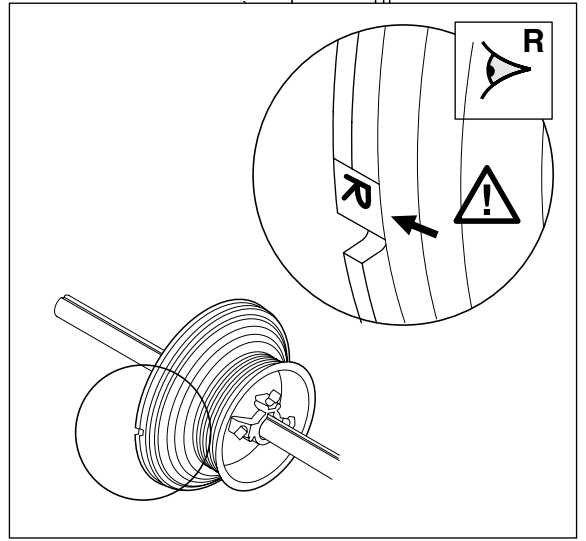
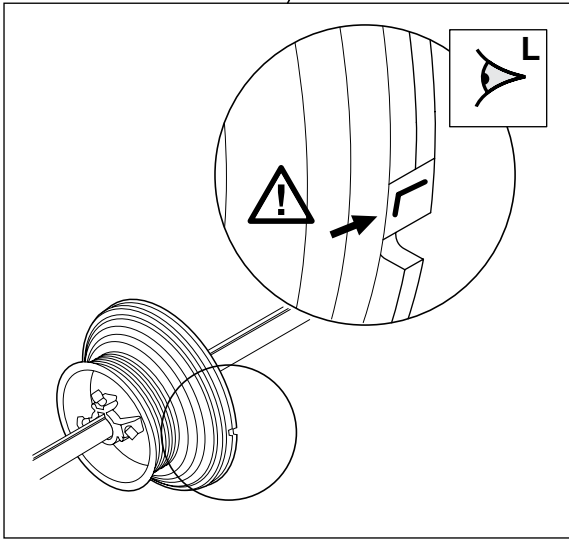
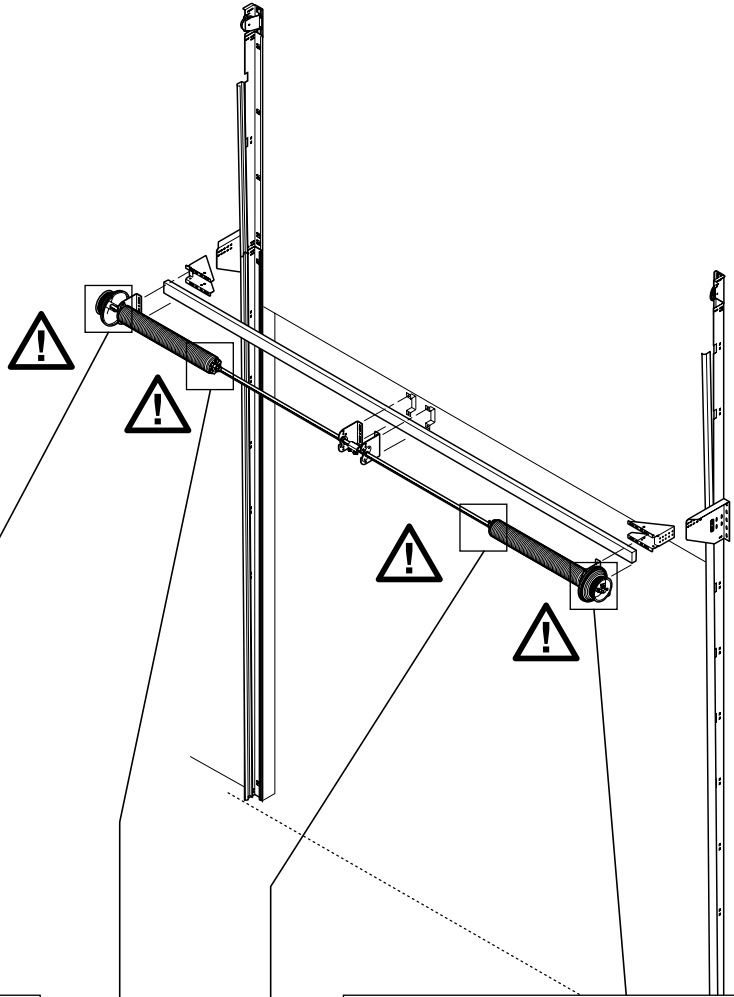
<p>A Anschließende die die Torpaket auf Schäden und Kontrollen prüfen und beschadigen, an Hinweis</p> <p>F Controleer de deuropakket op afbreken, beschadigen en</p> <p>GB Check the door package for damage and components</p>	<p>A Controleer het deuropakket op beschadigen, afbreken</p> <p>F Controleer het 'Product' 'Deurpakket' op beschadiging</p> <p>GB Check the door package for damage and components</p>
<p>B Anzahl Umlenkungen, um die Feder zu spannen</p> <p>F Aantal draaiingen om de veer te spannen</p> <p>GB Number of turns to tension the spring</p>	<p>B Stange die die Typenschilder (A) (A) auf dem Tor zu montieren</p> <p>F Coder die plaatjes plaatsen op de partij</p> <p>GB Apply the tags onto rollers in the door</p>

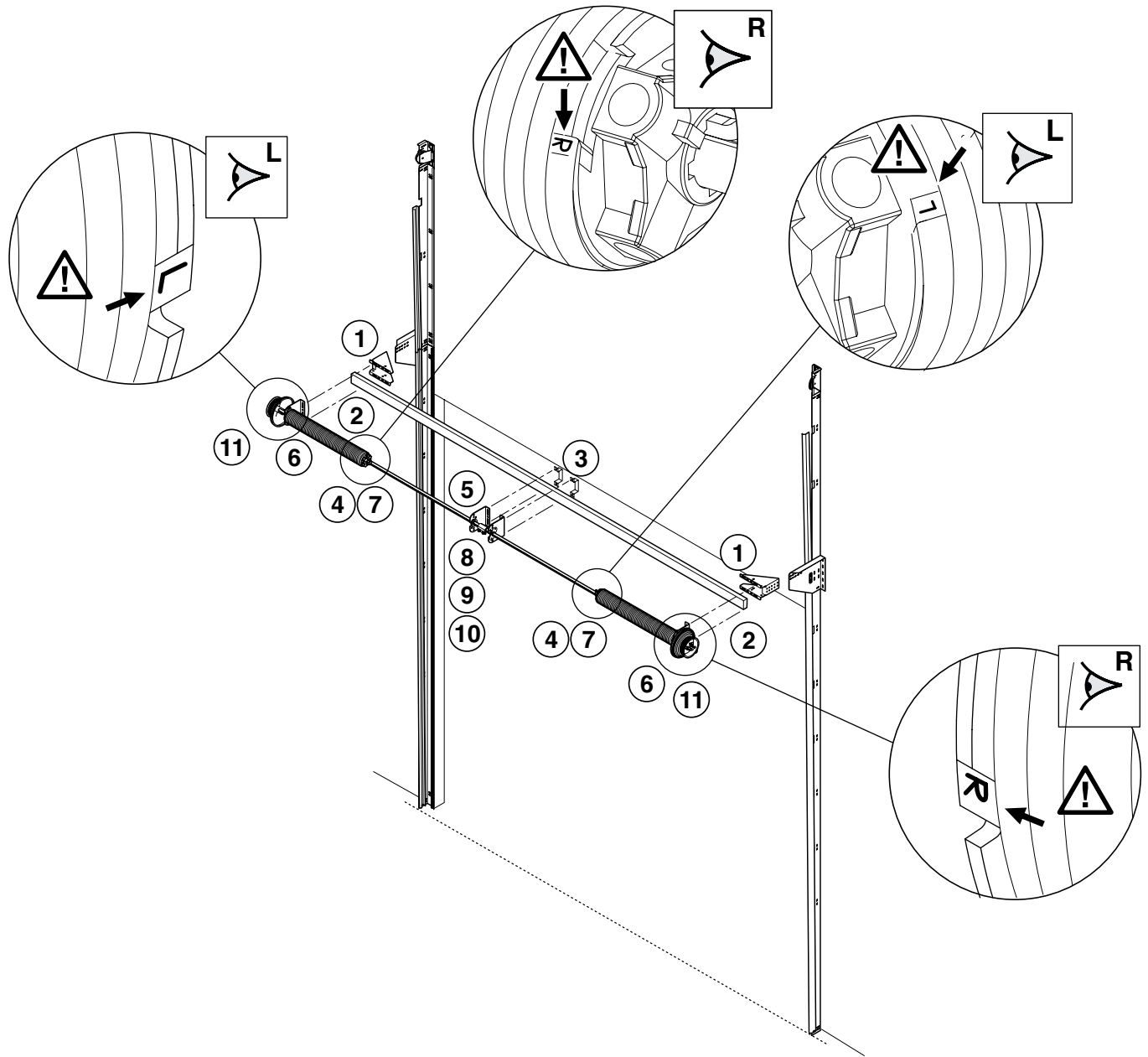


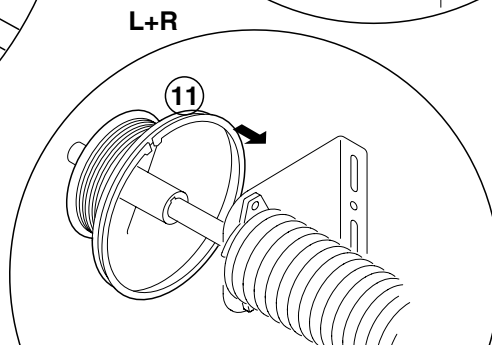
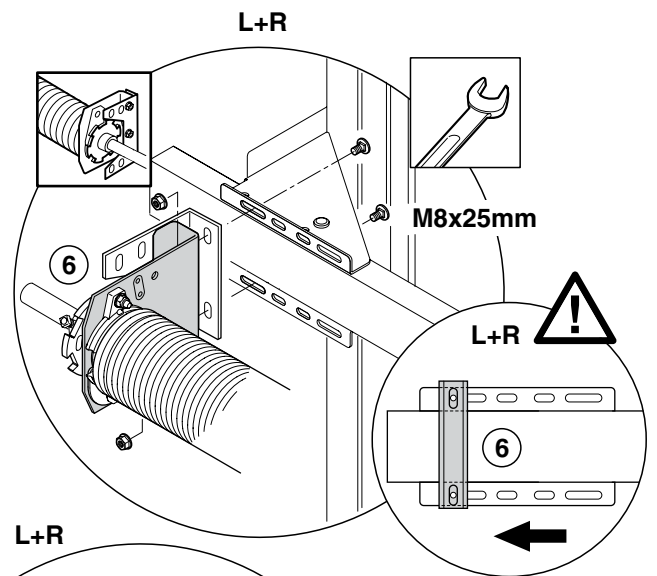
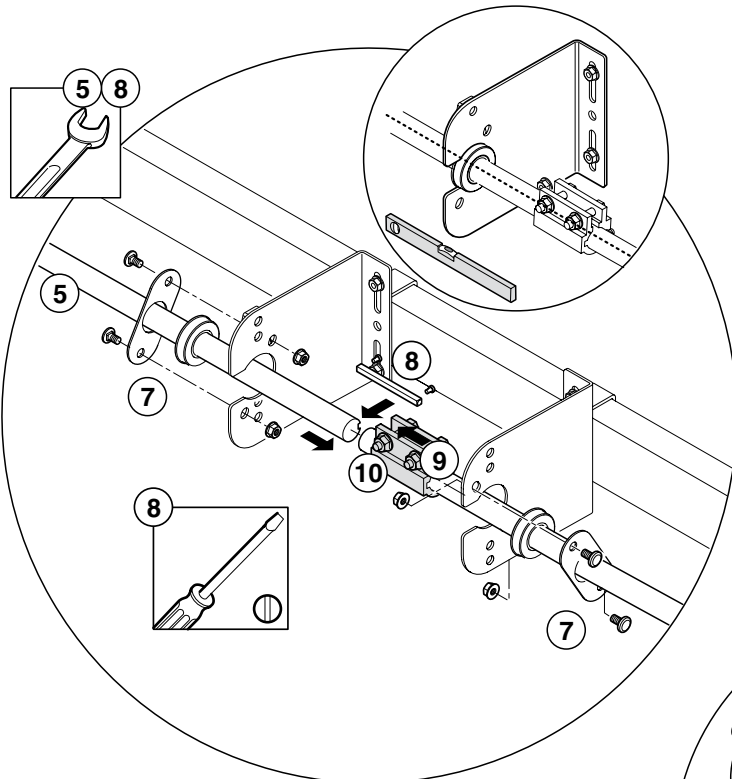
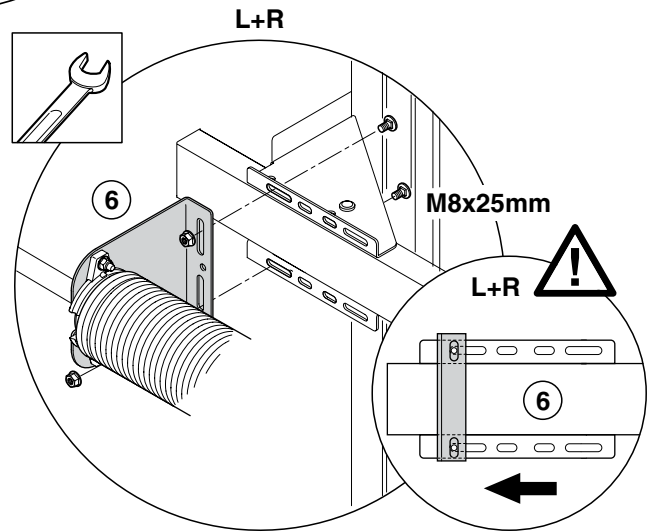
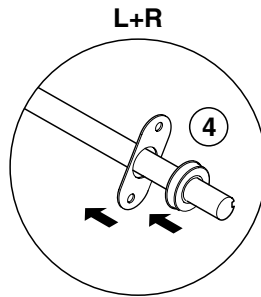
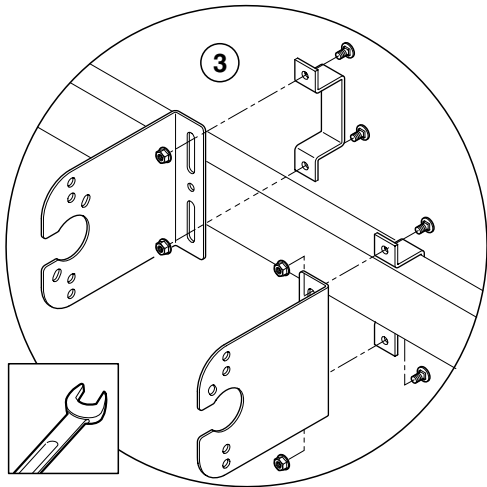
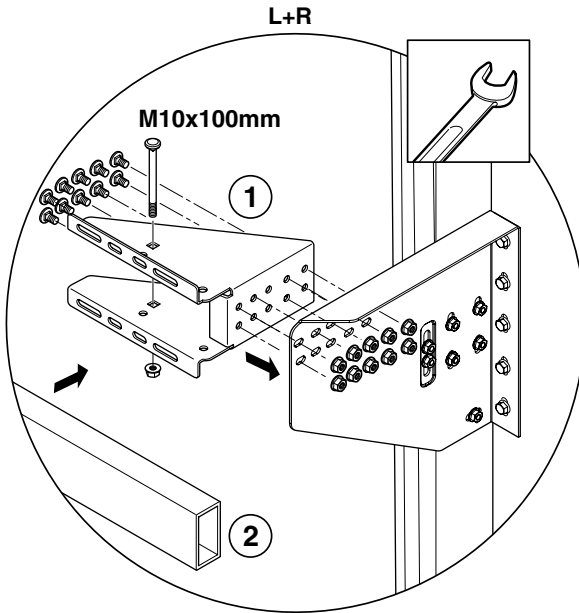


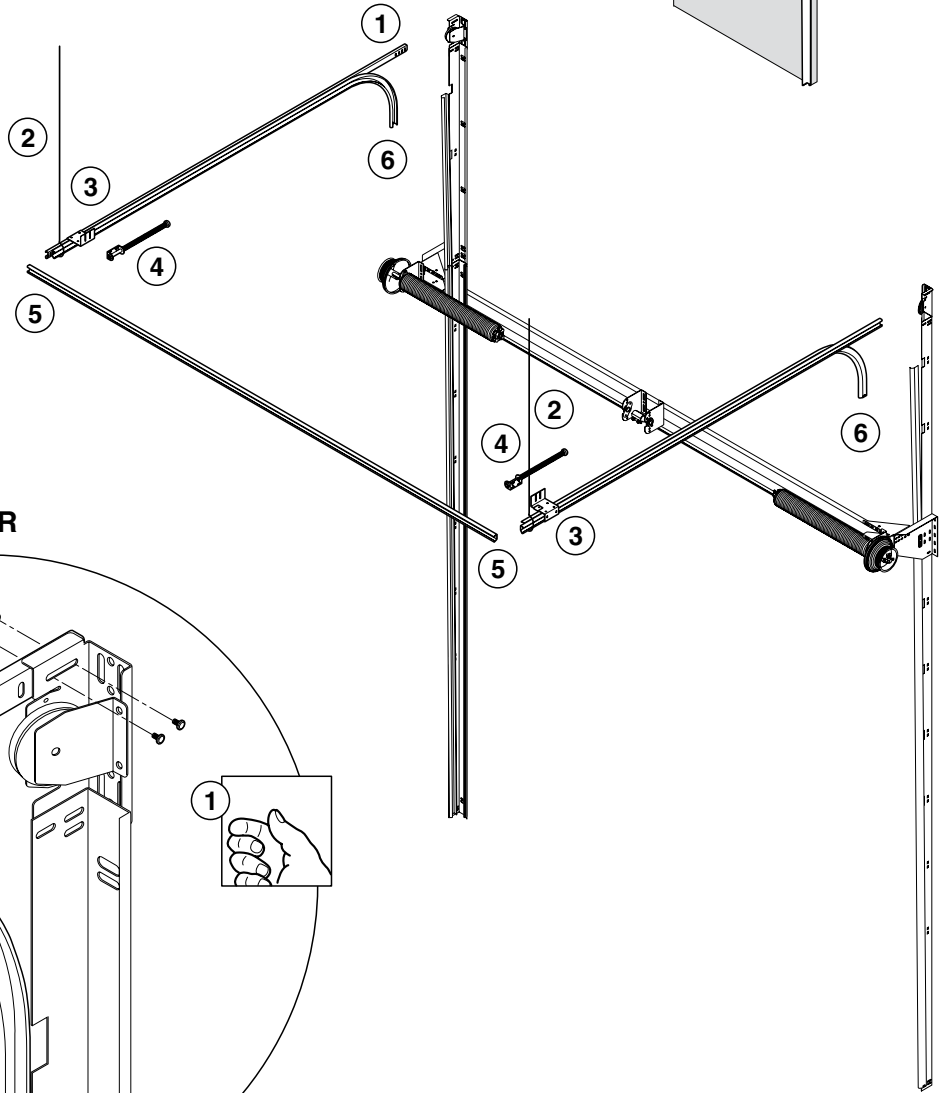
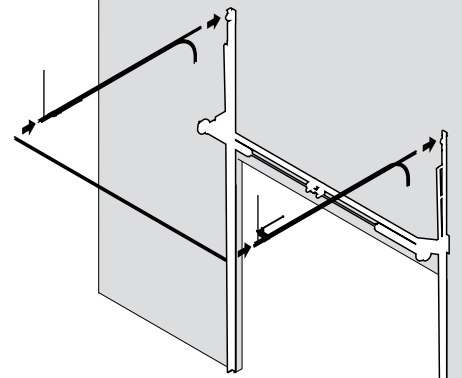




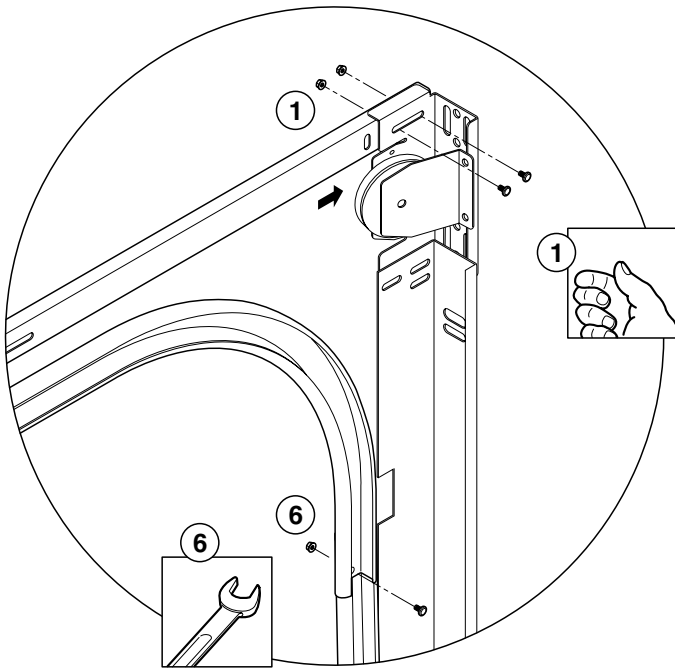




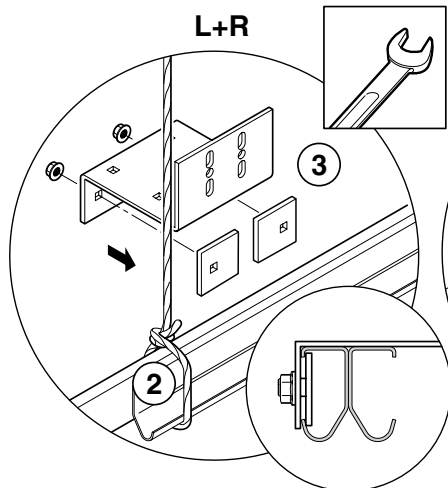




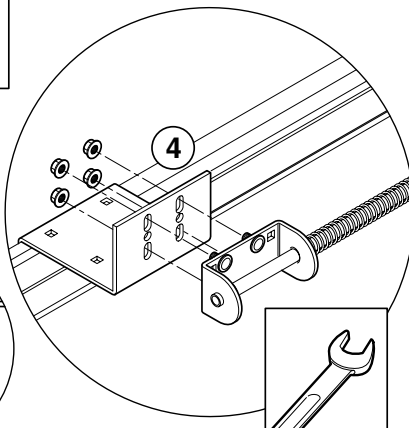
L+R



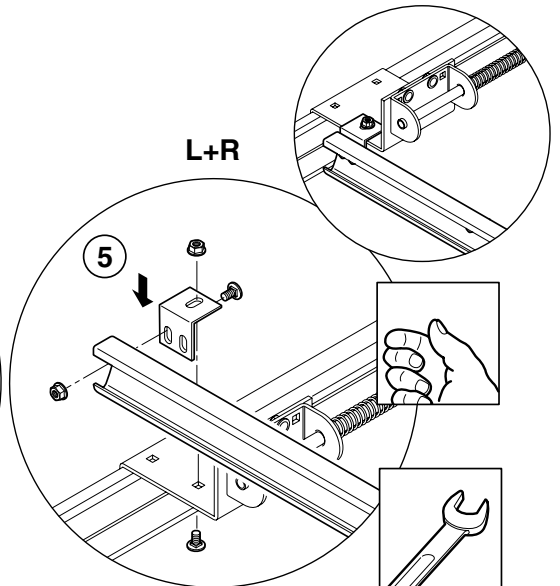
L+R

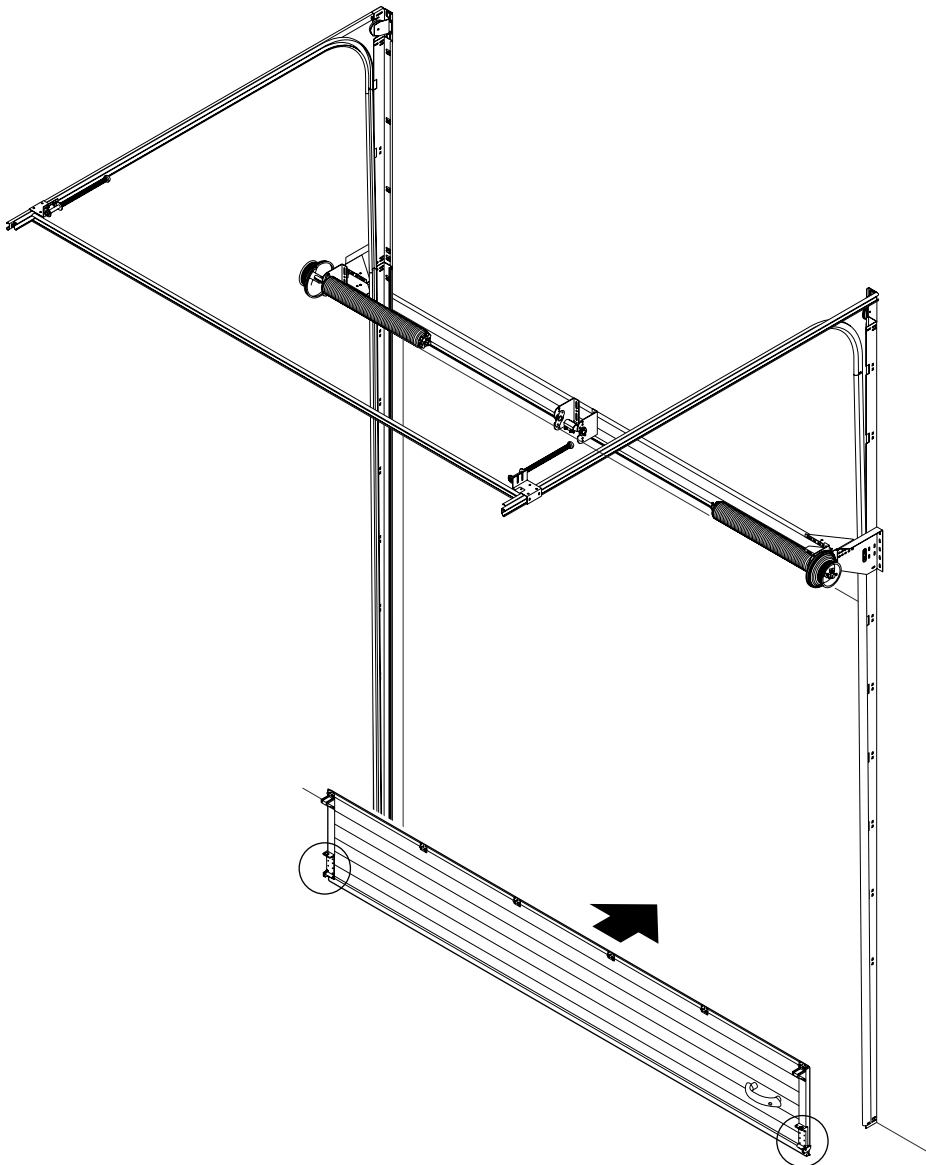
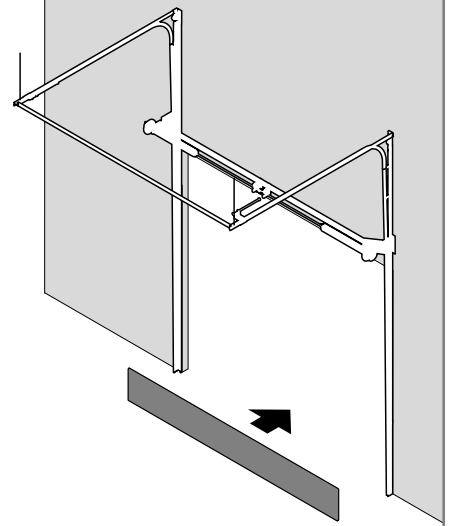
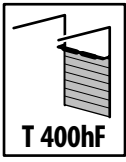


L+R



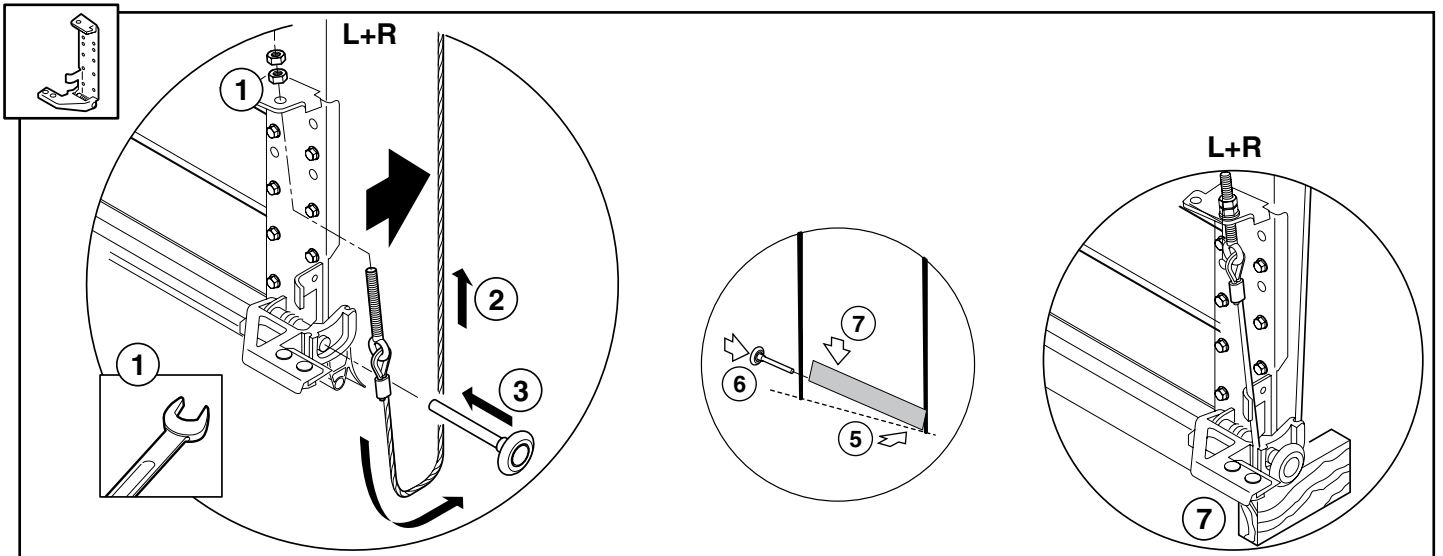
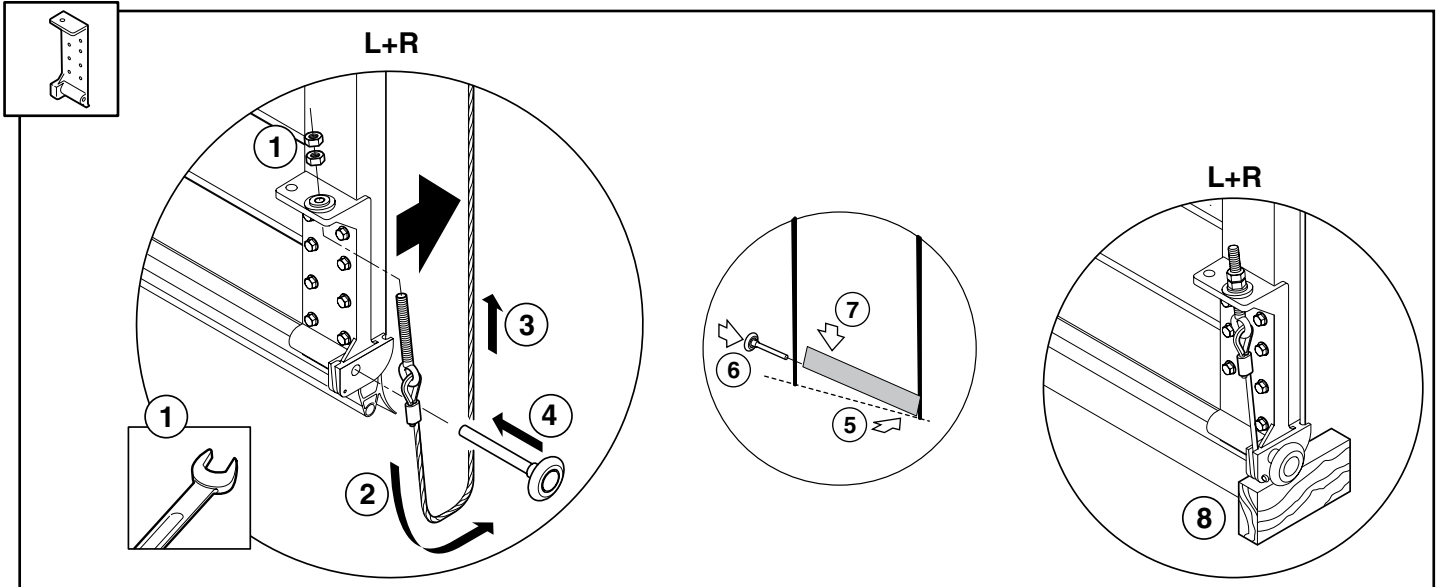
L+R

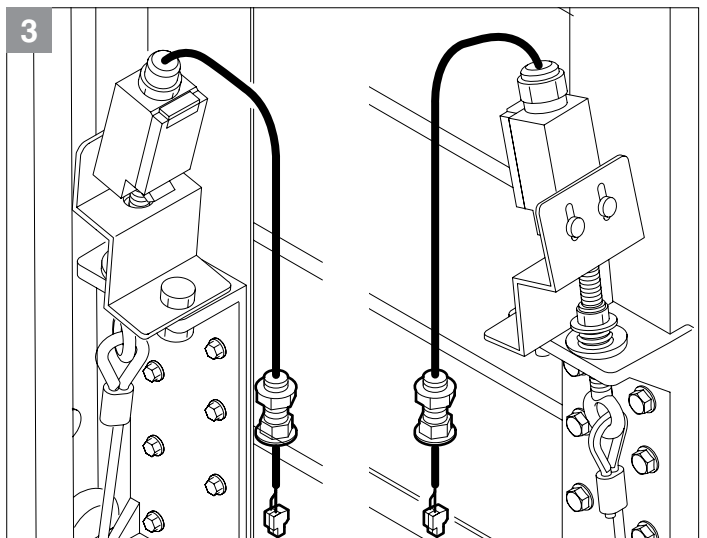
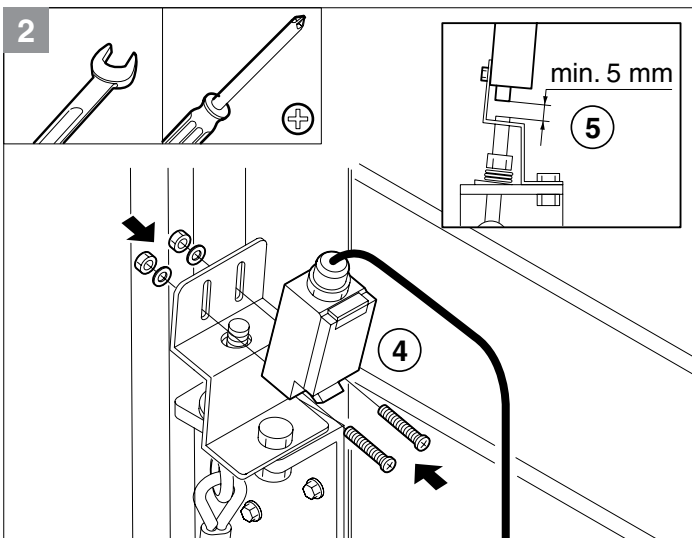
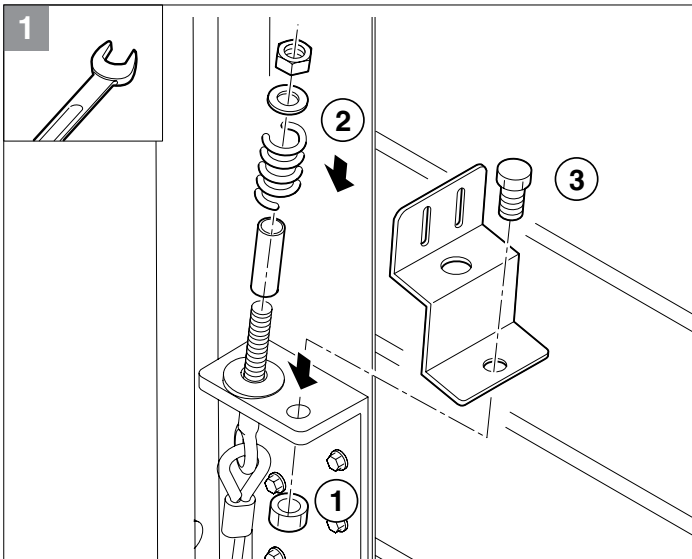
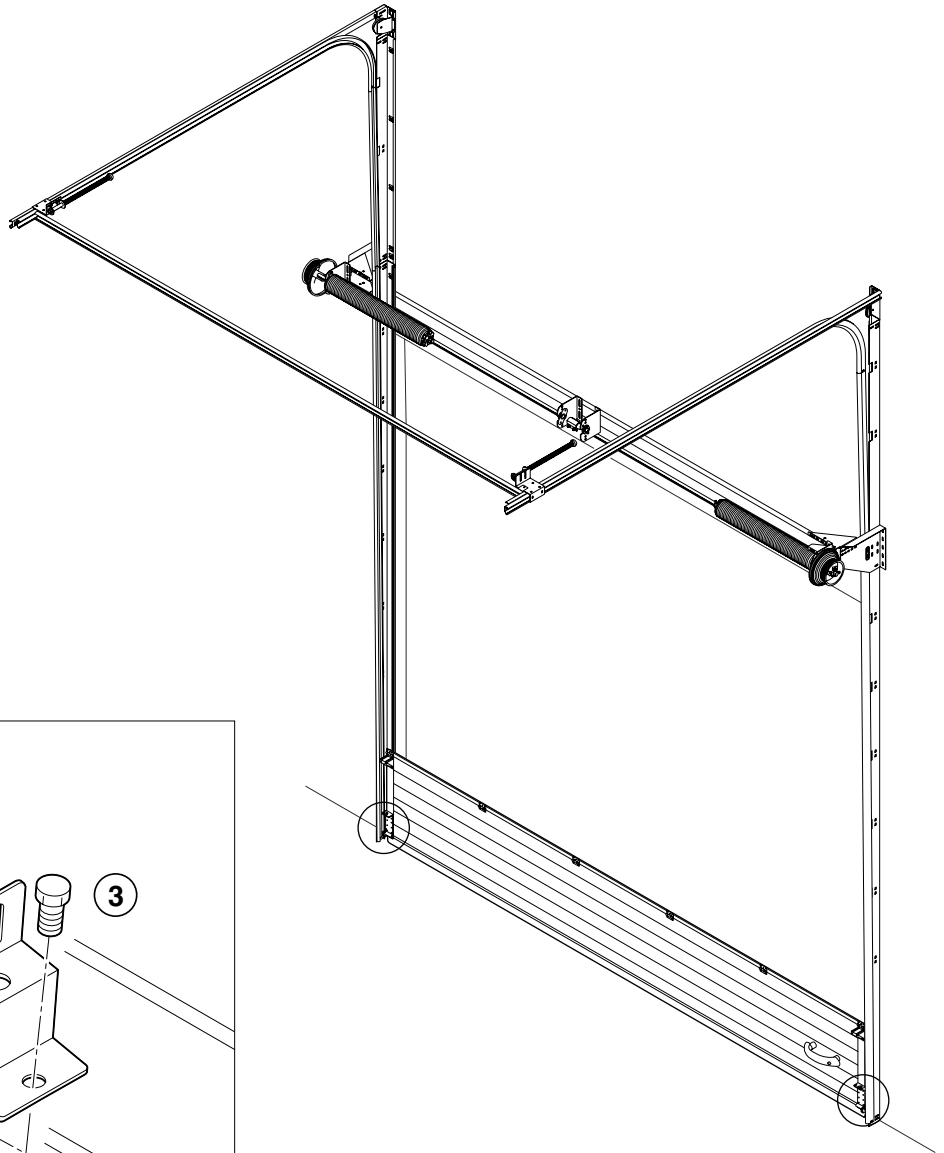
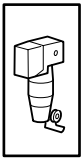


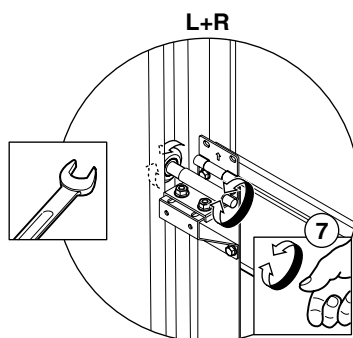
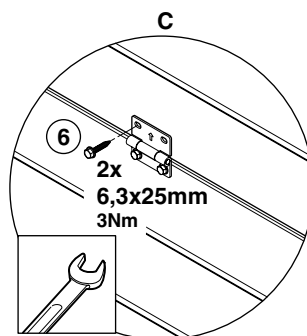
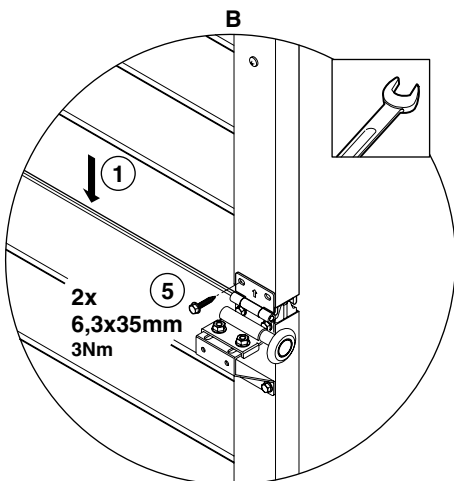
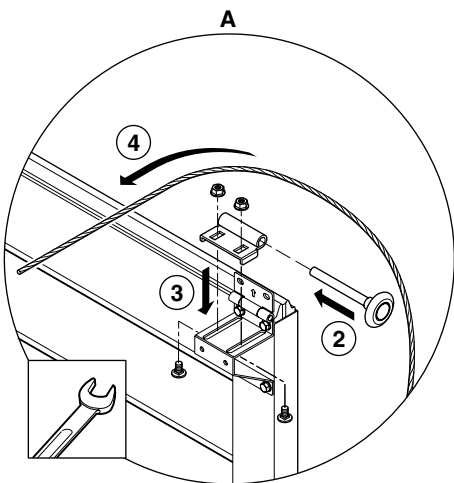
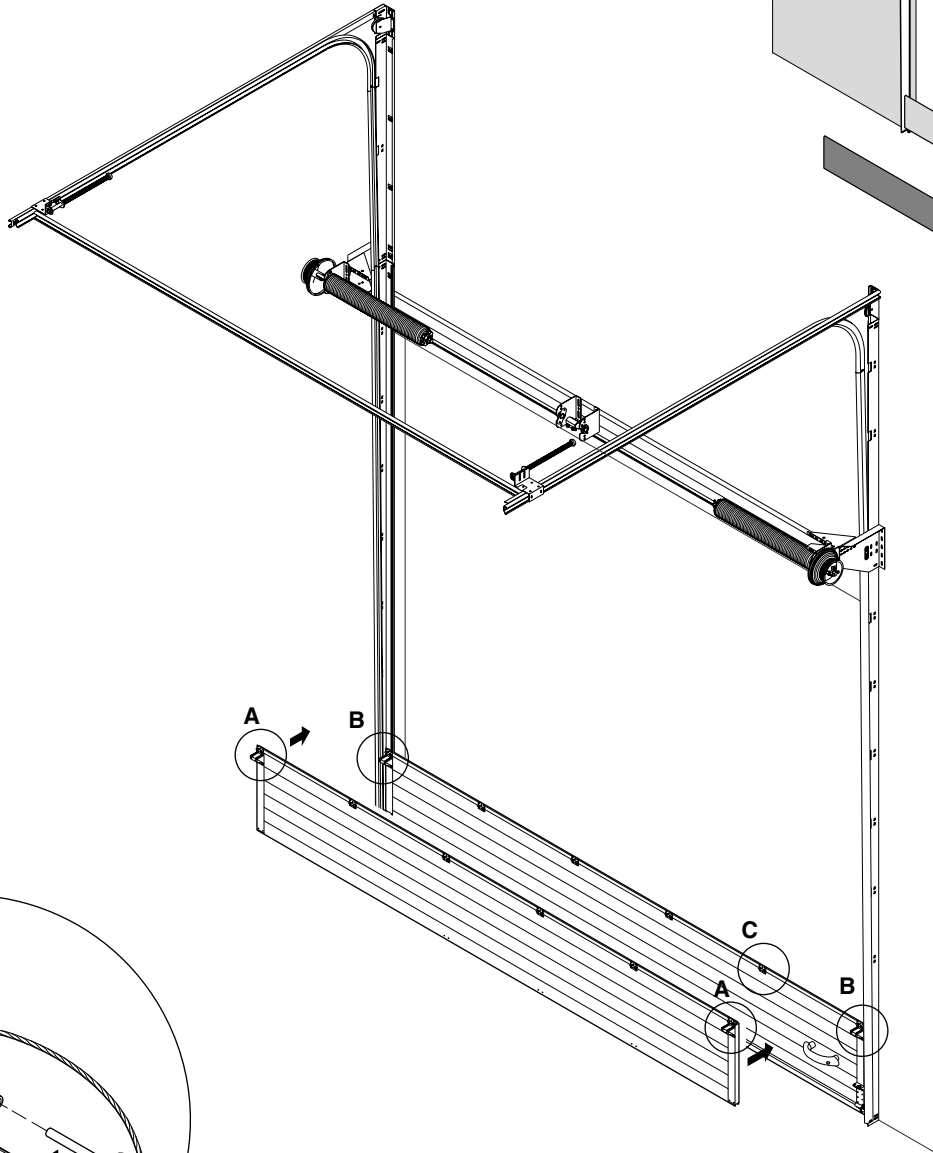
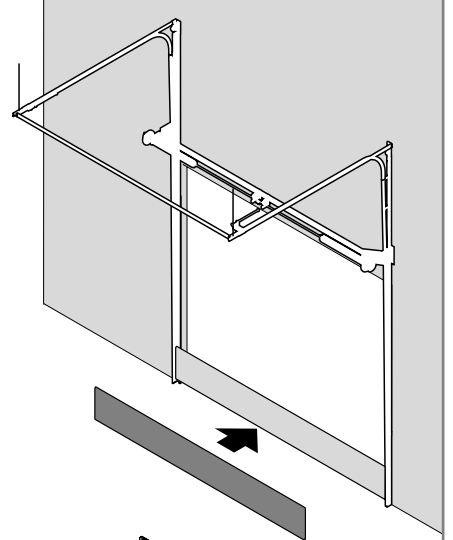


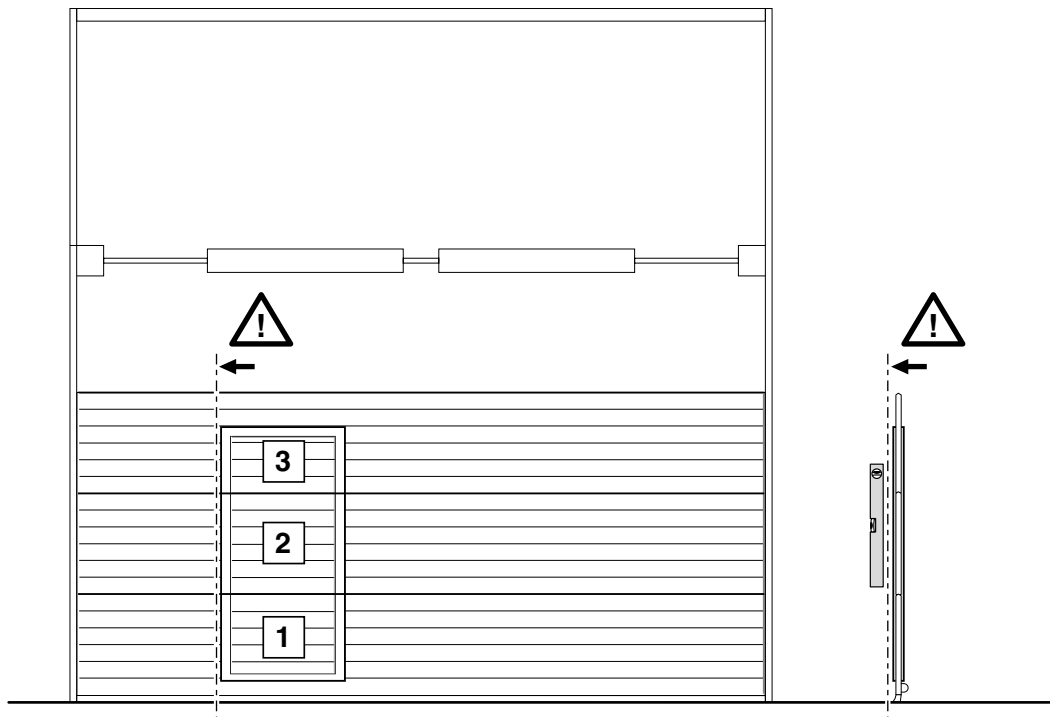
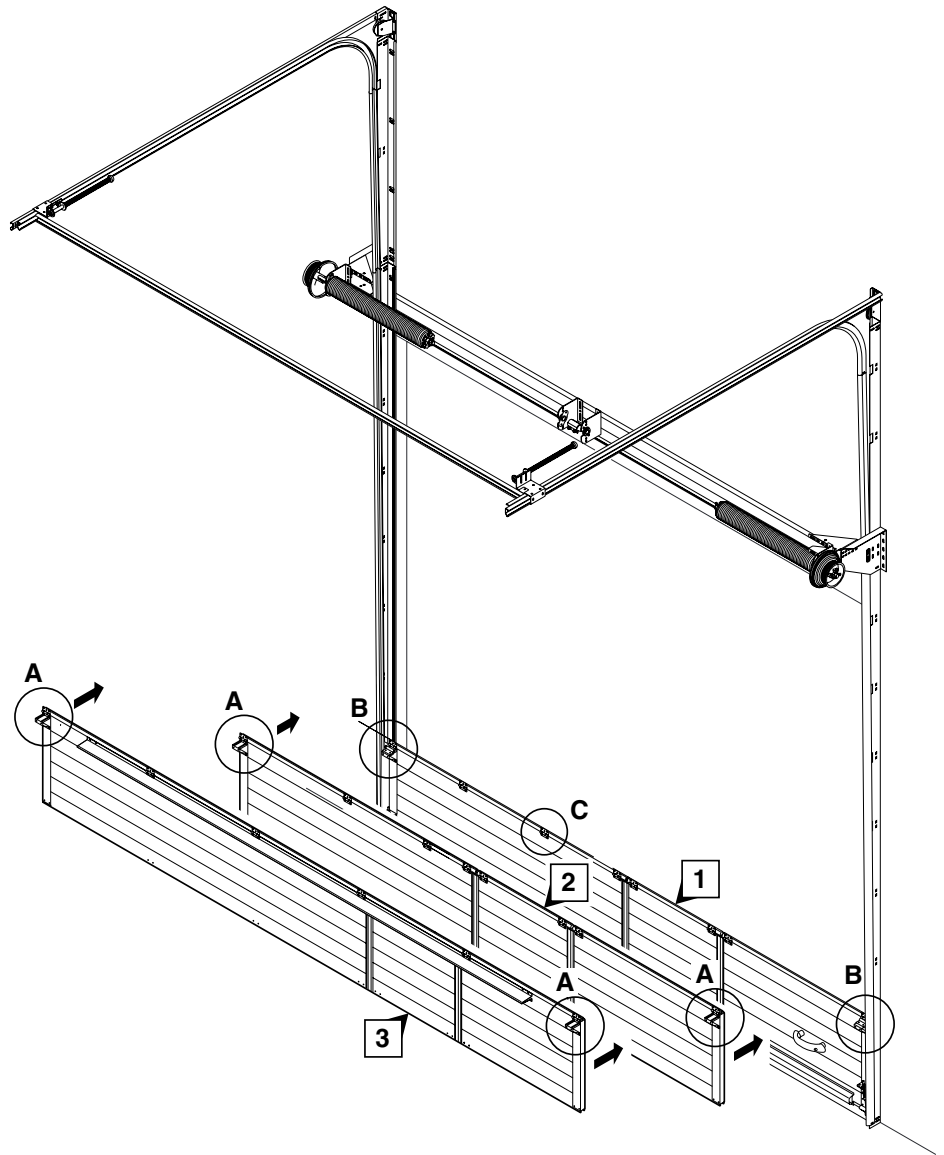


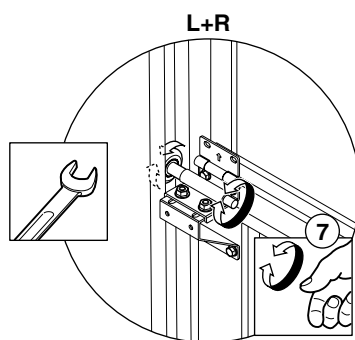
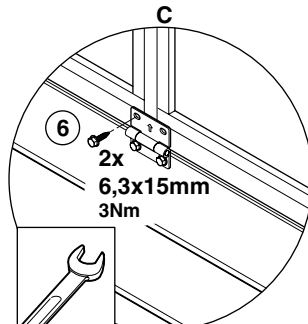
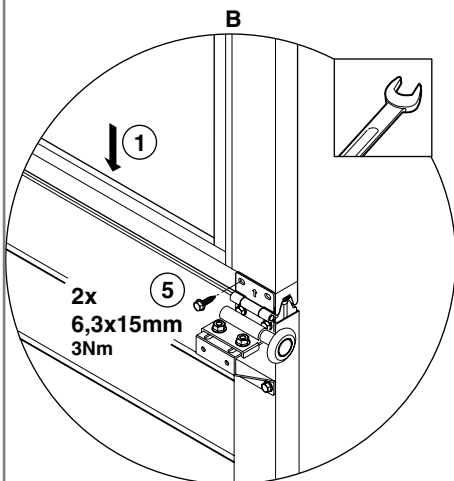
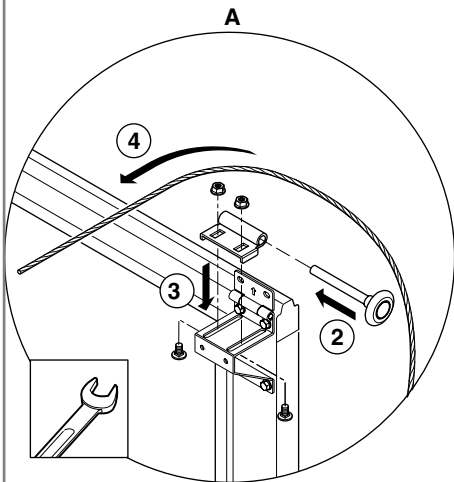
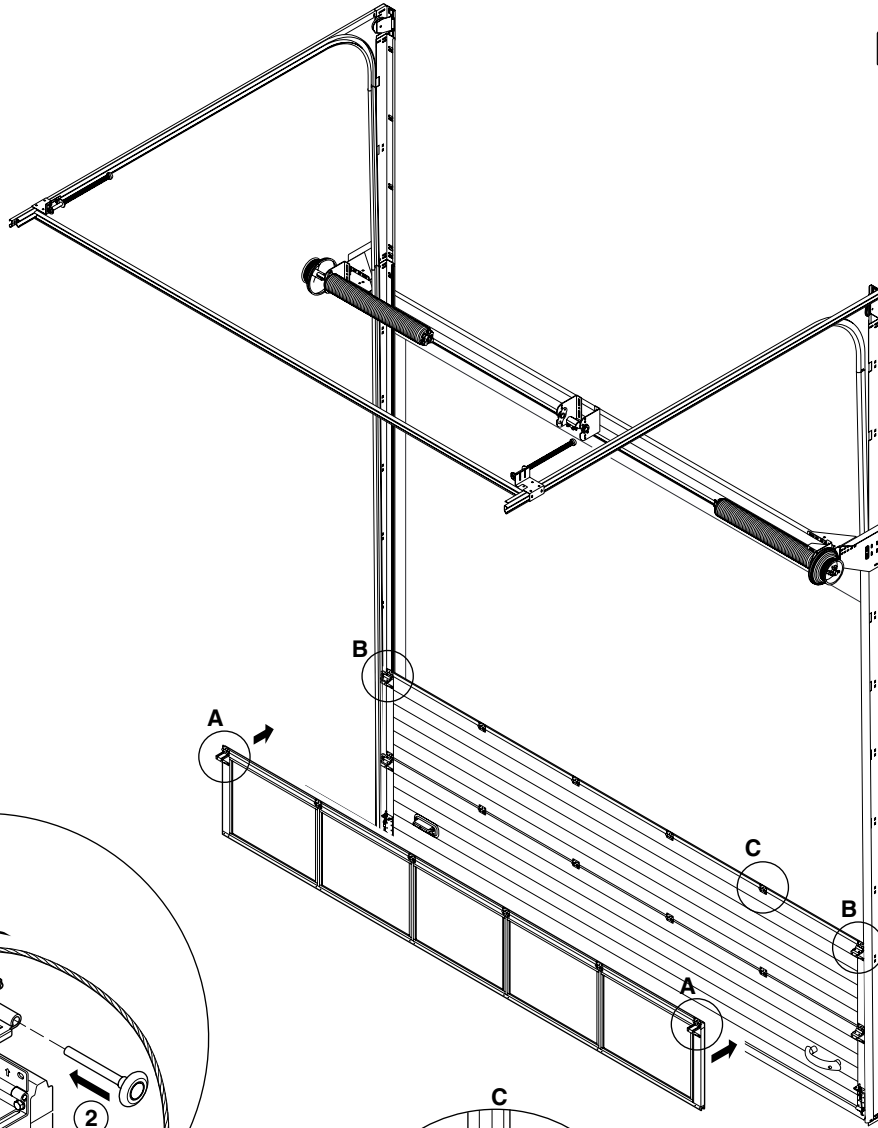
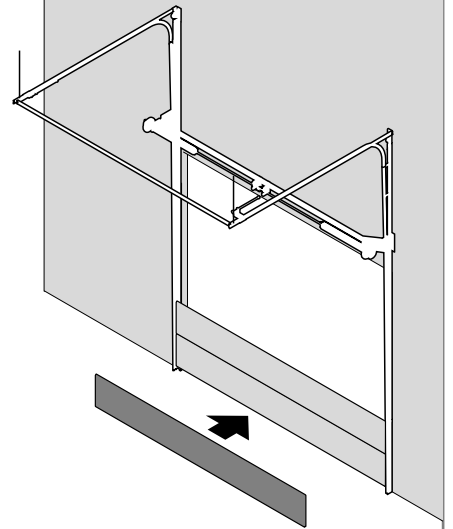
T 400hF

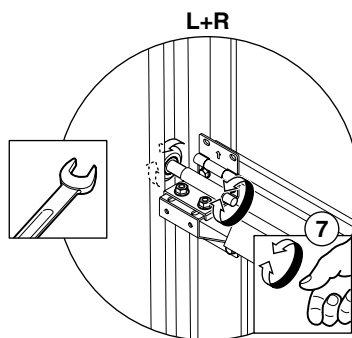
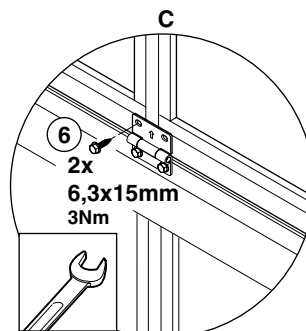
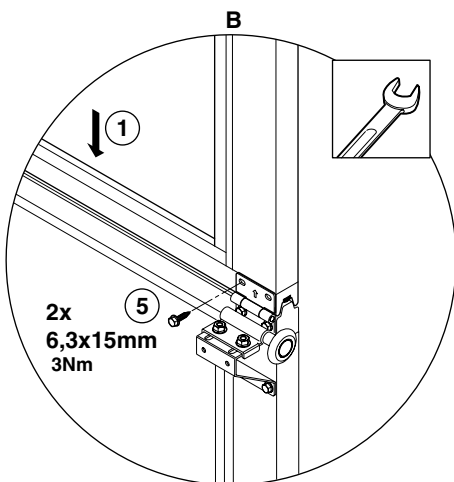
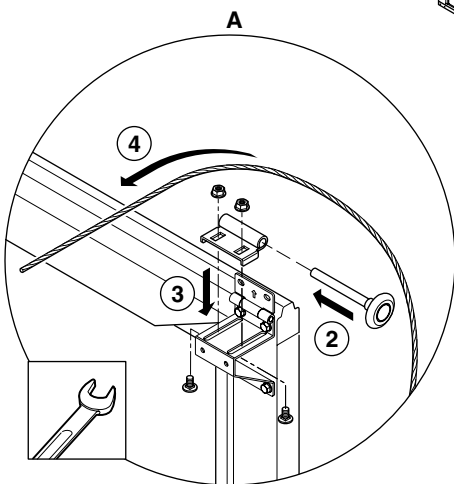
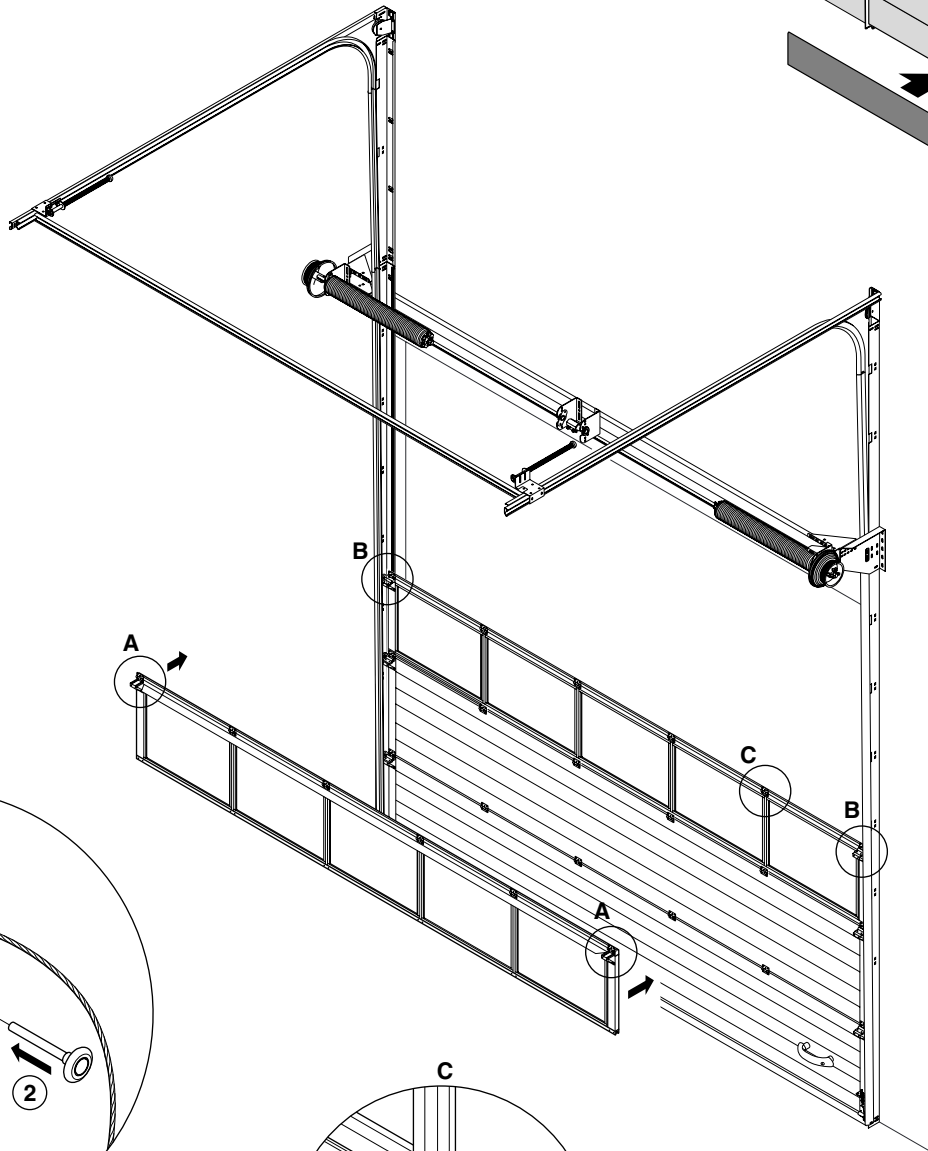
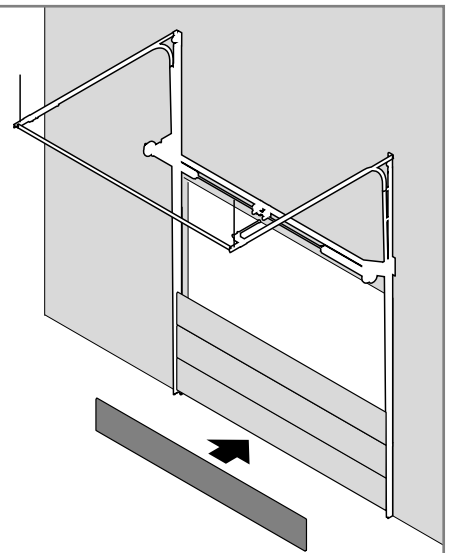


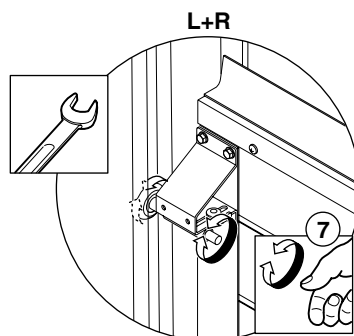
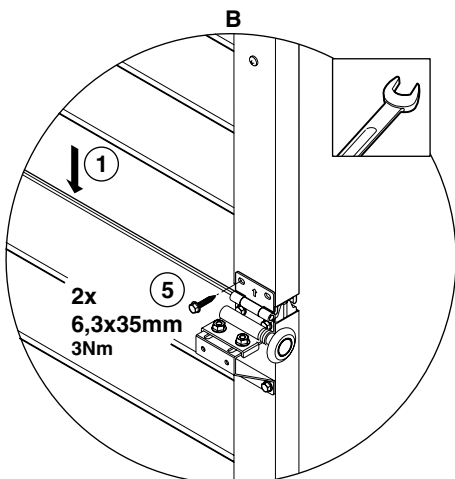
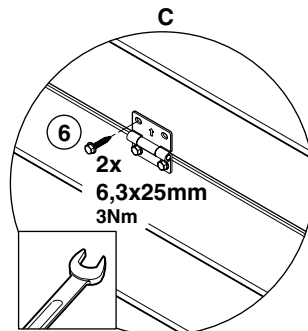
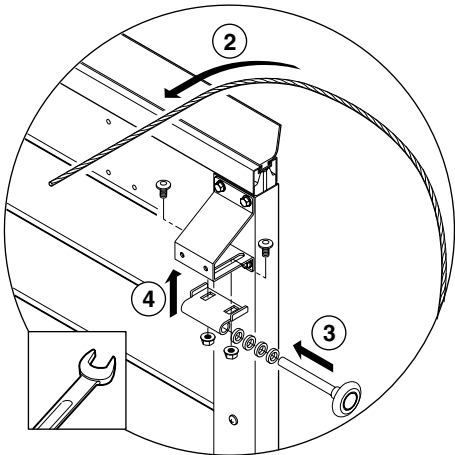
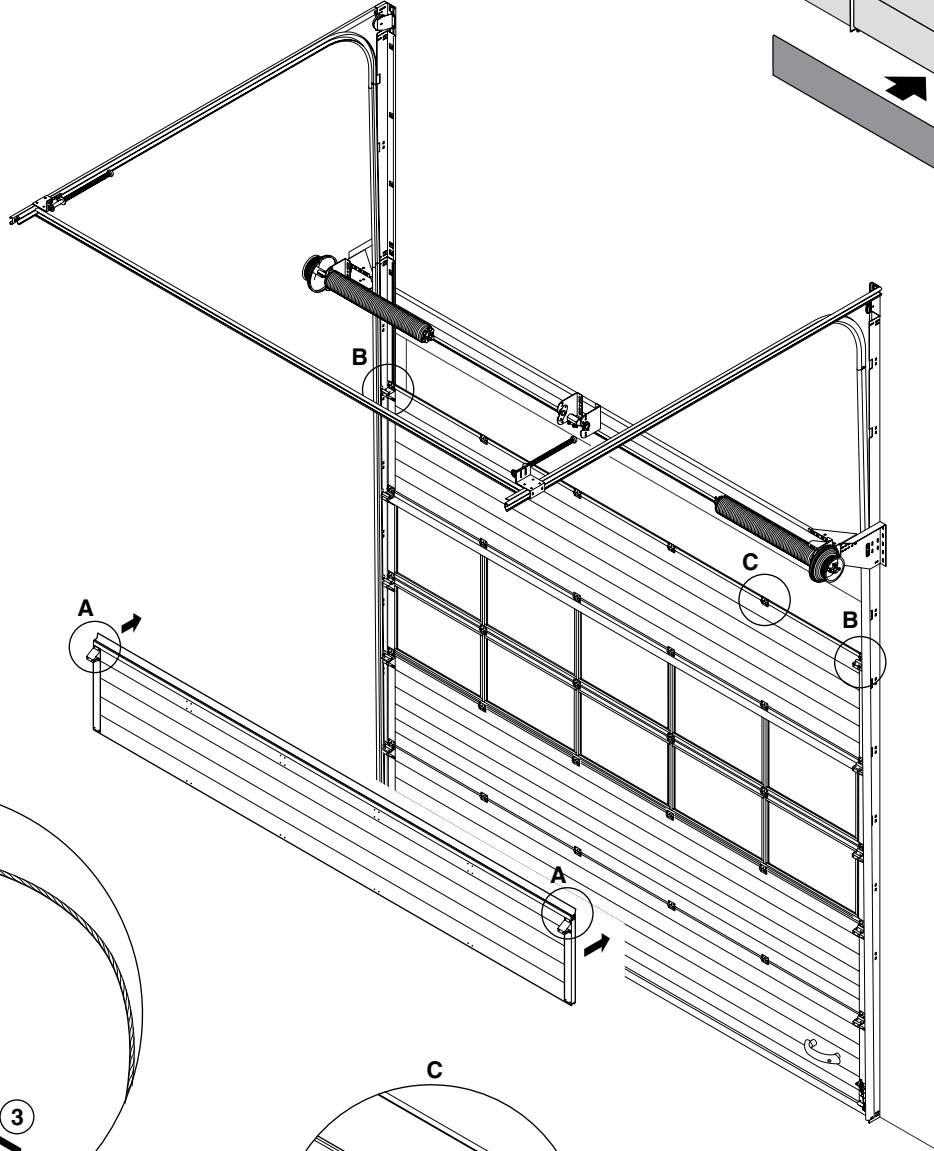
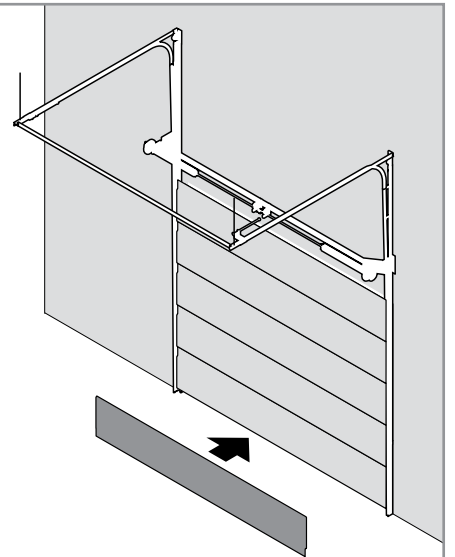


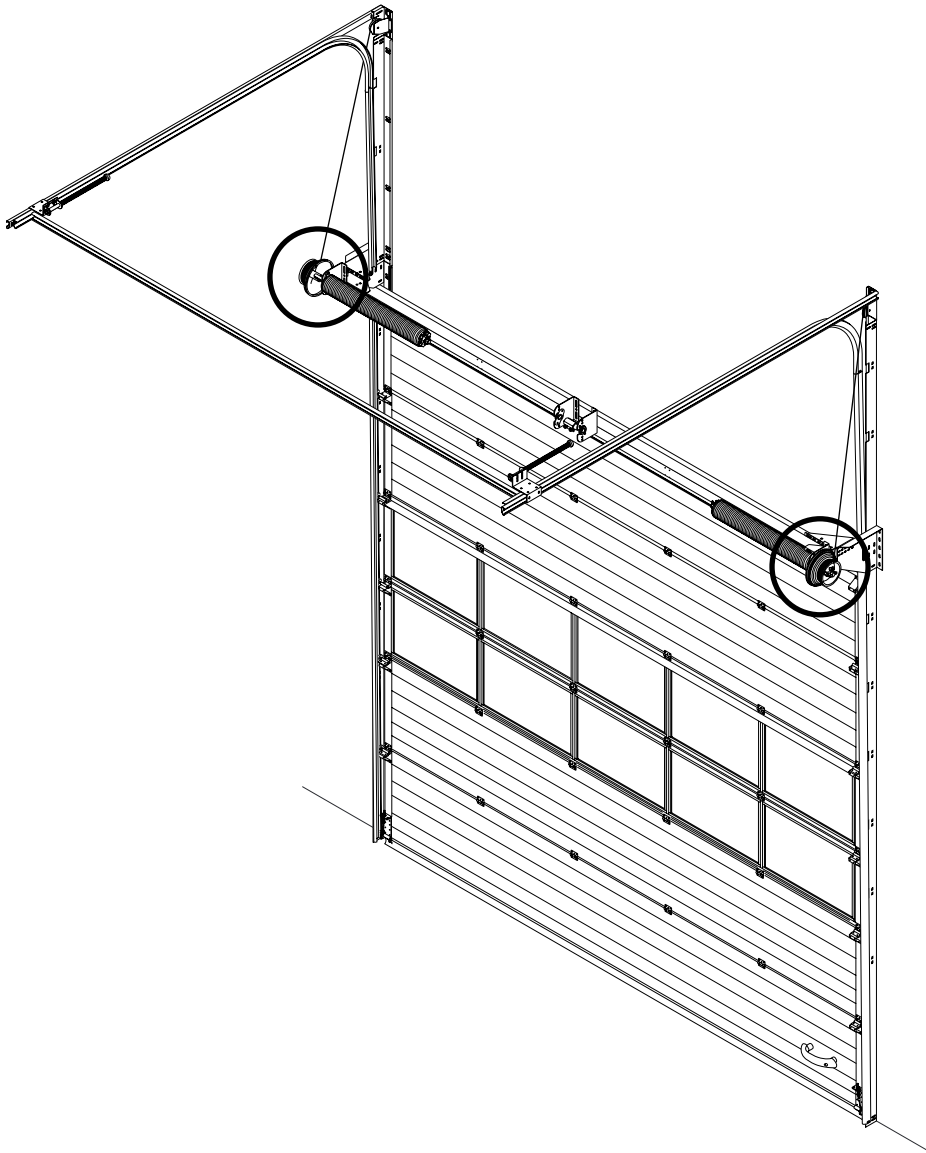


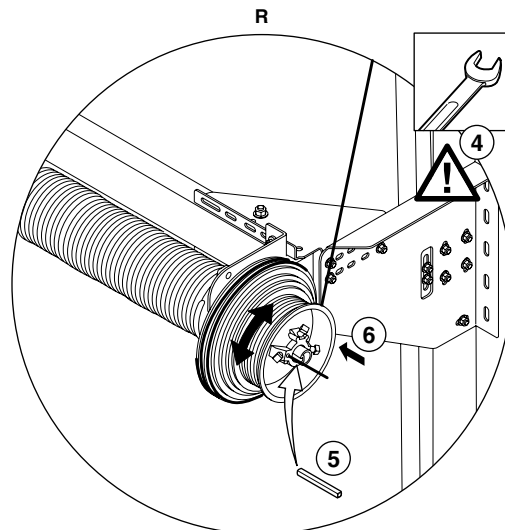
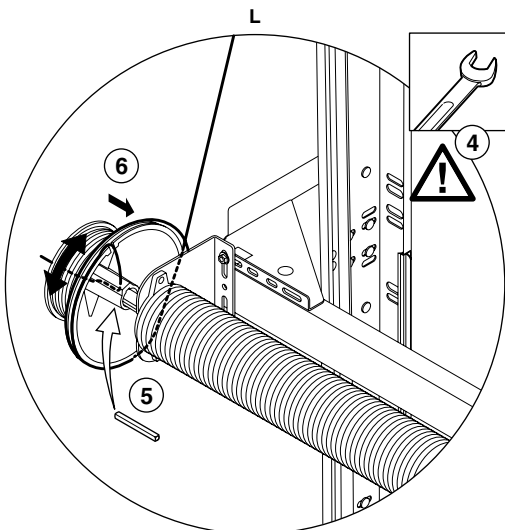
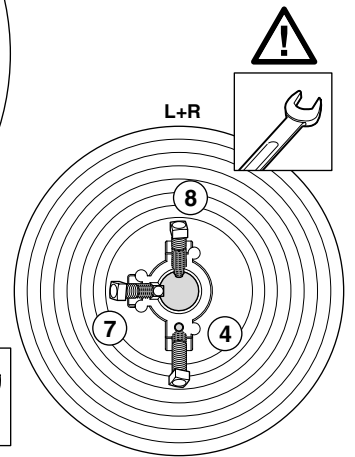
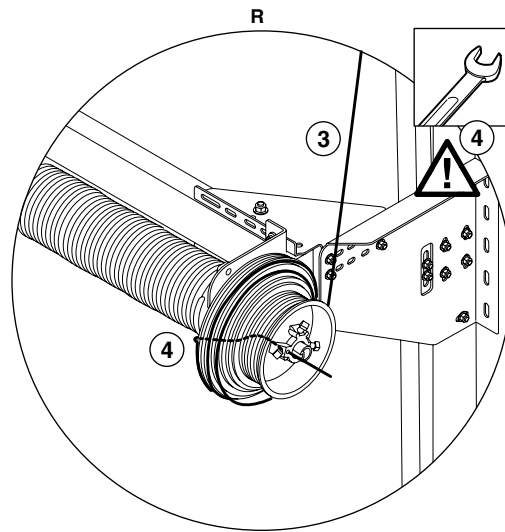
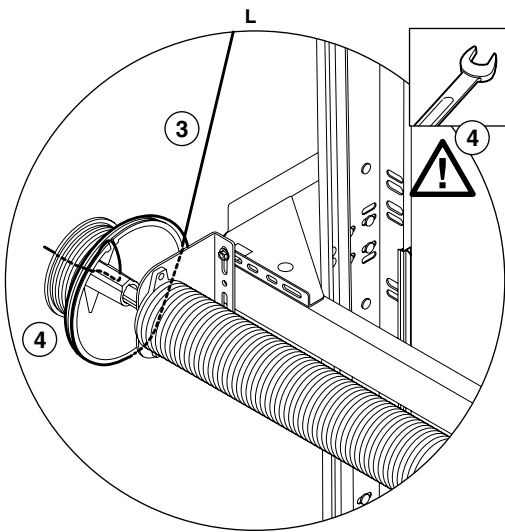
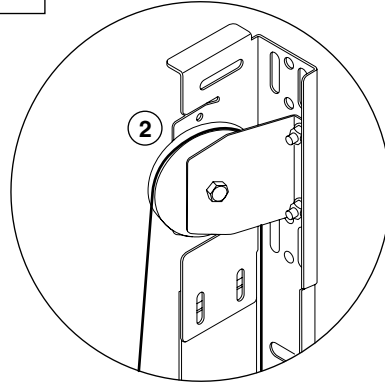
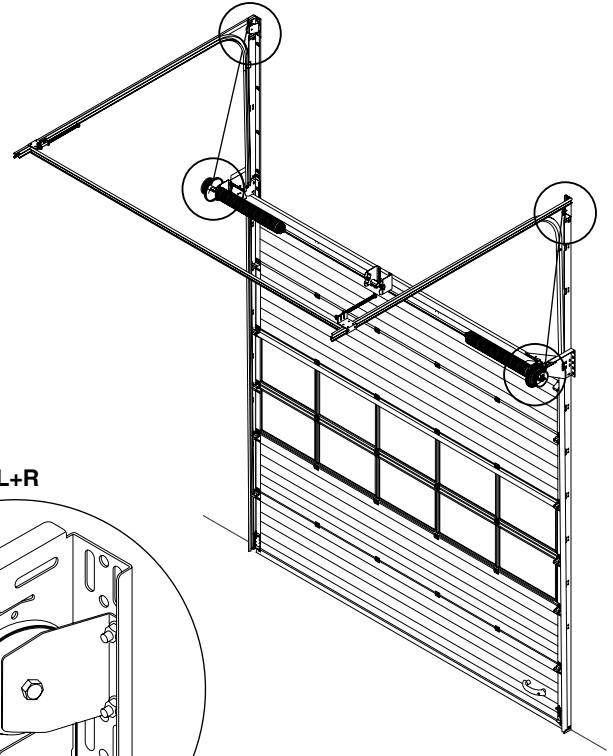
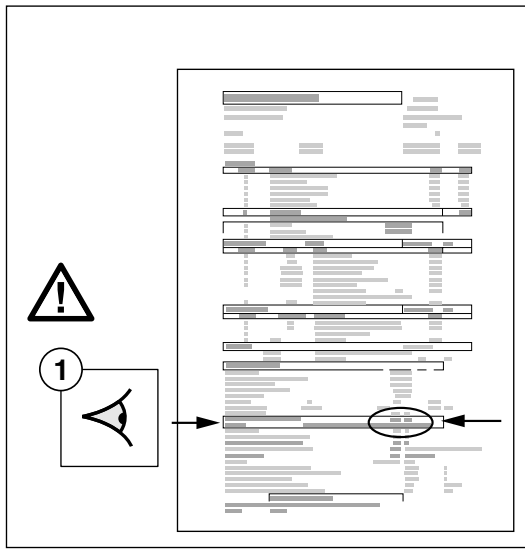


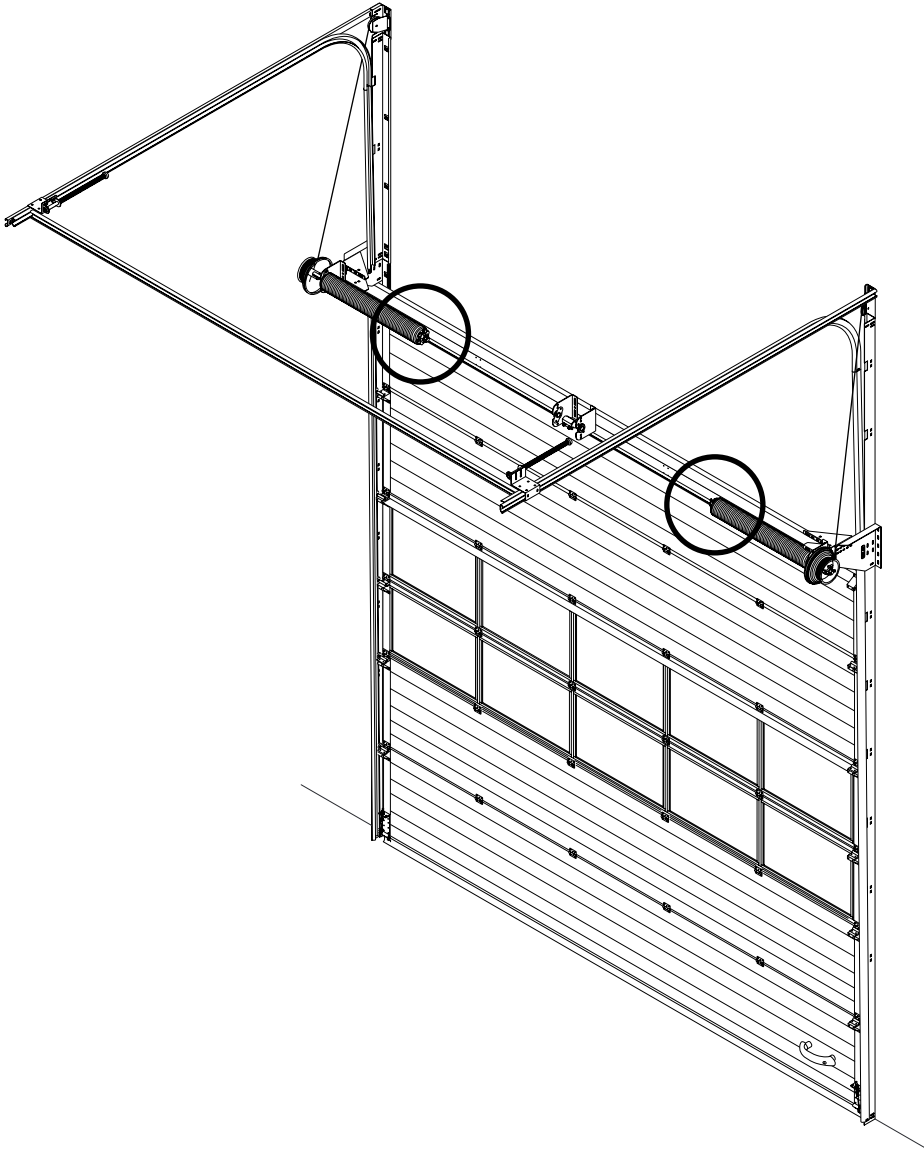


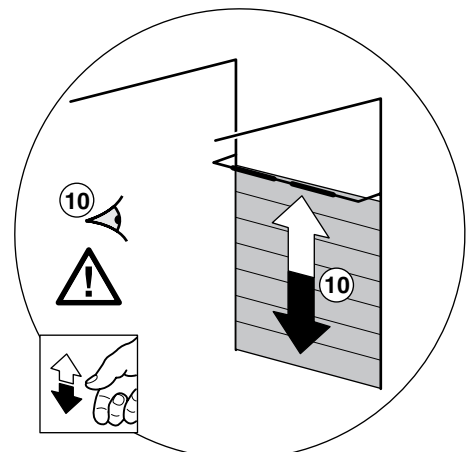
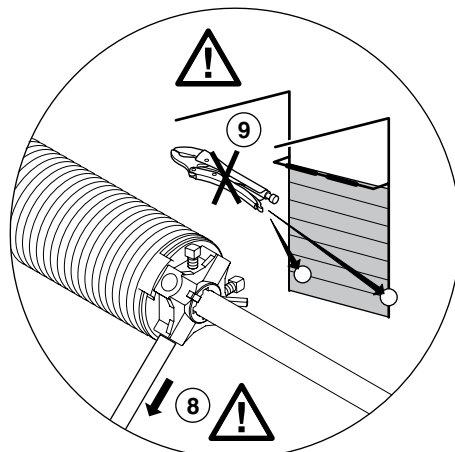
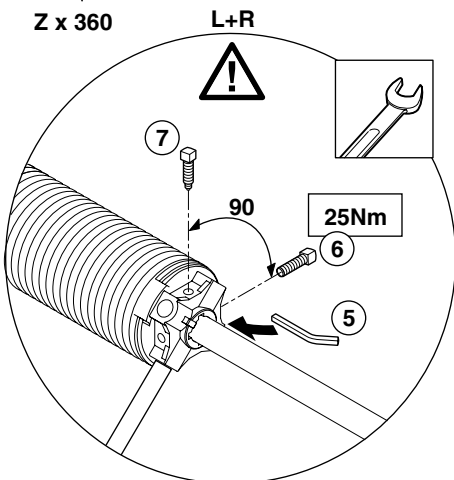
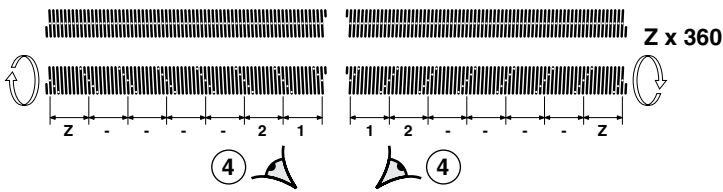
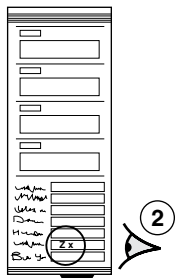
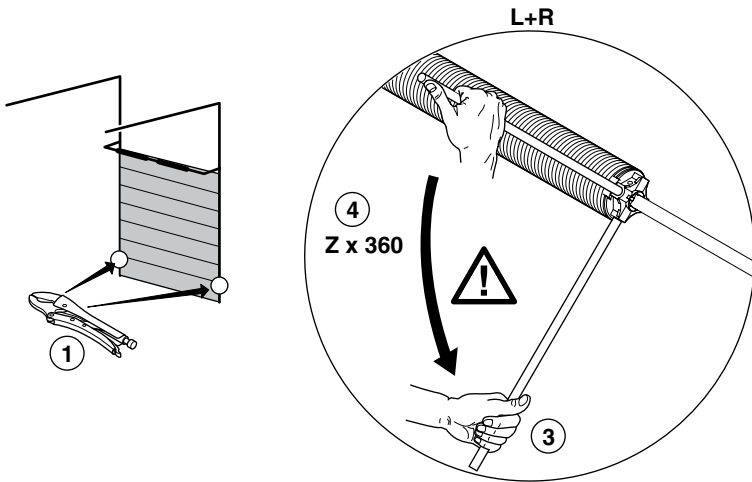
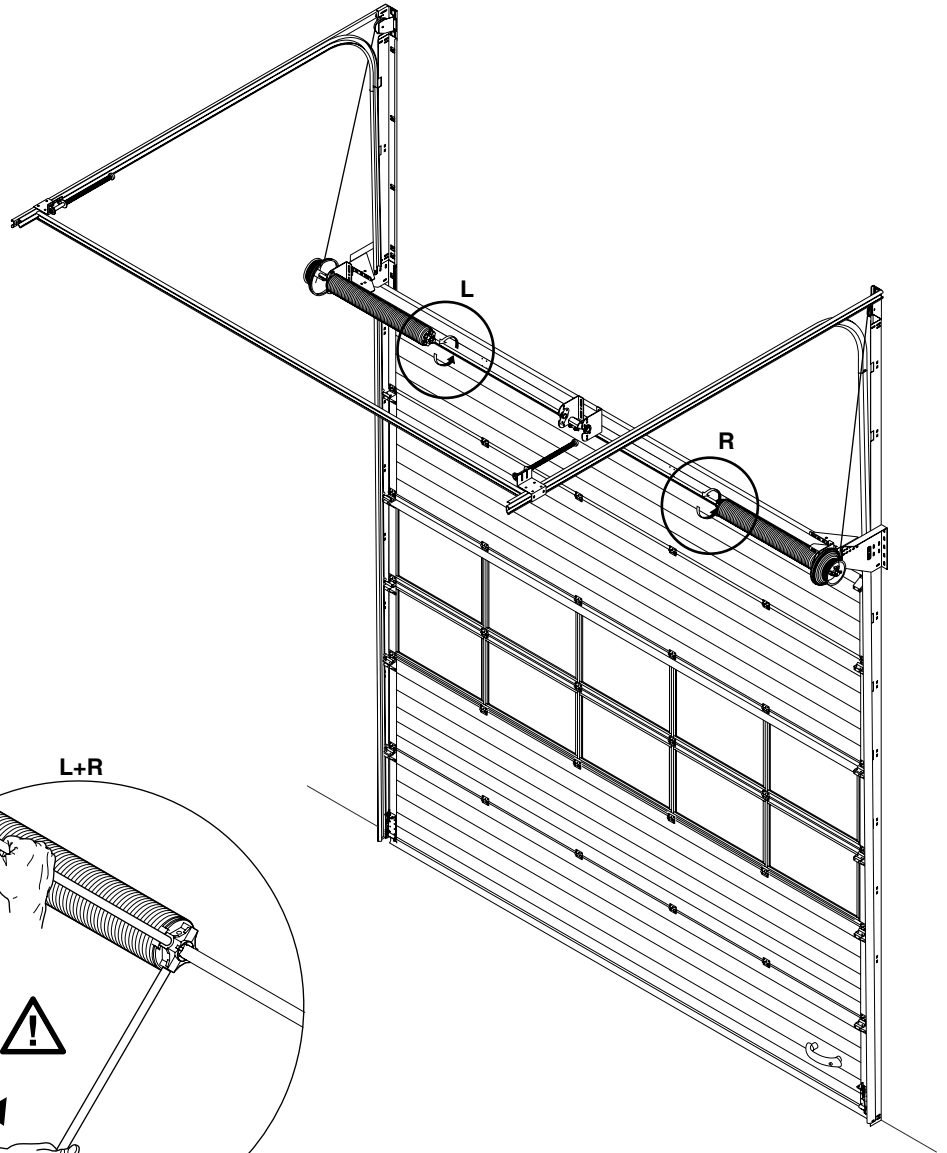


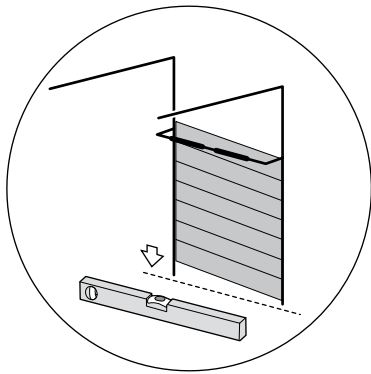
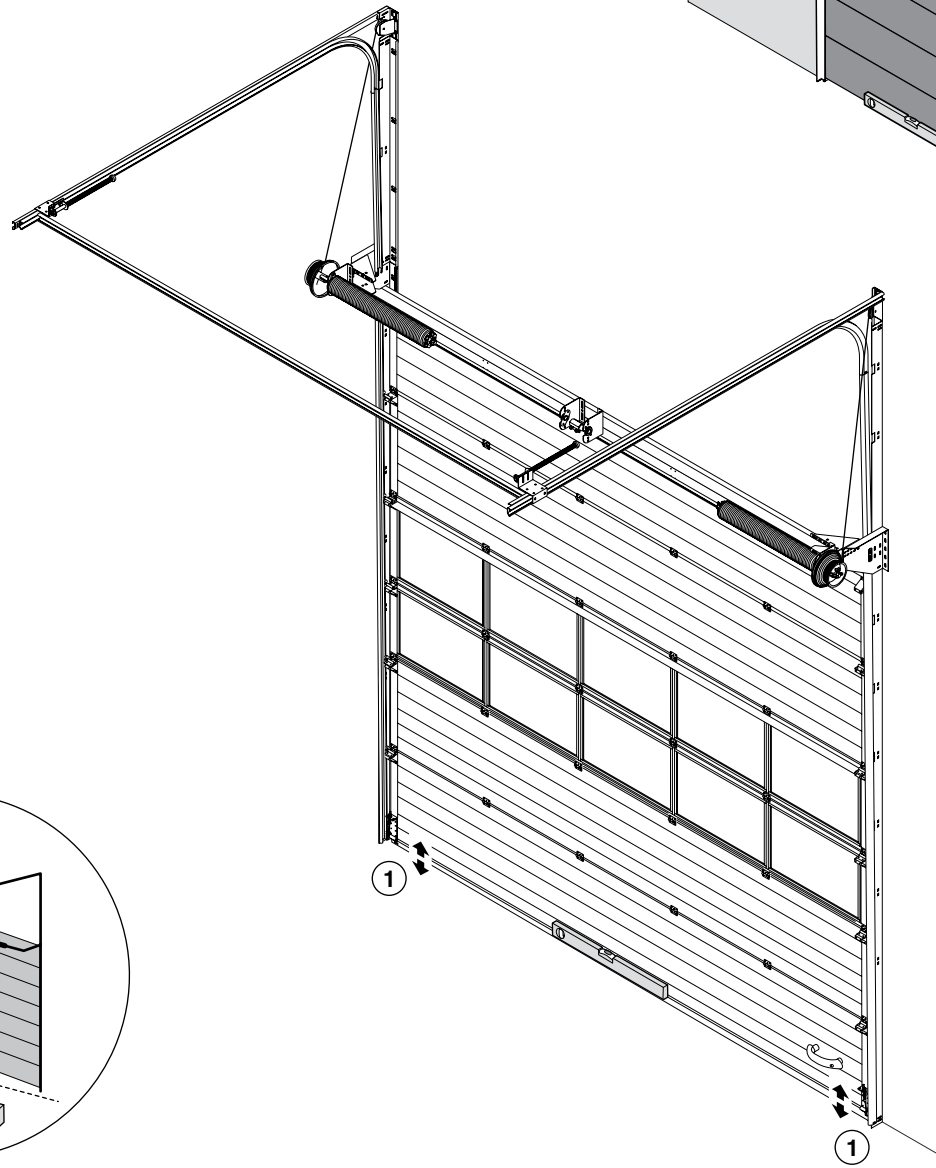
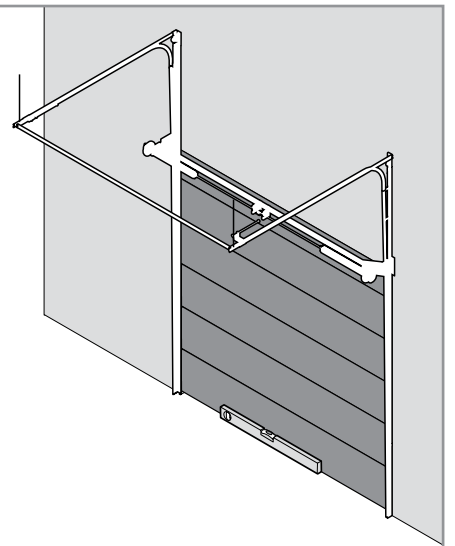




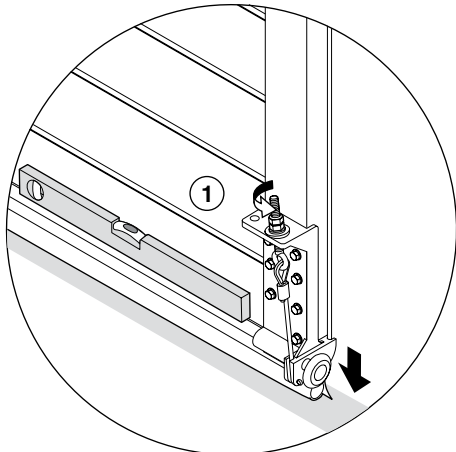




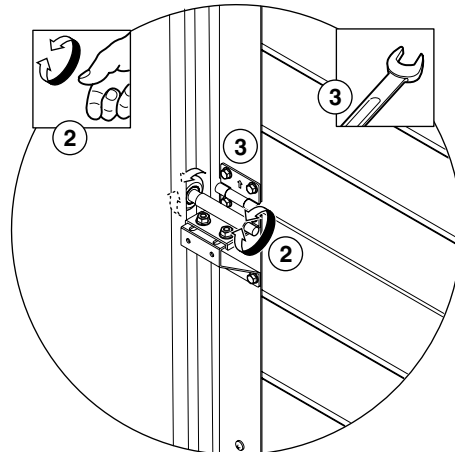


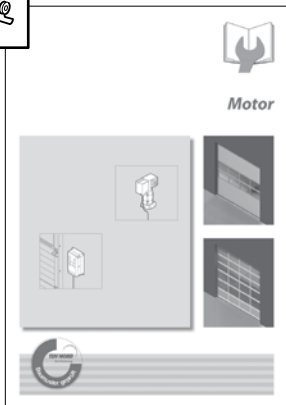
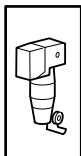
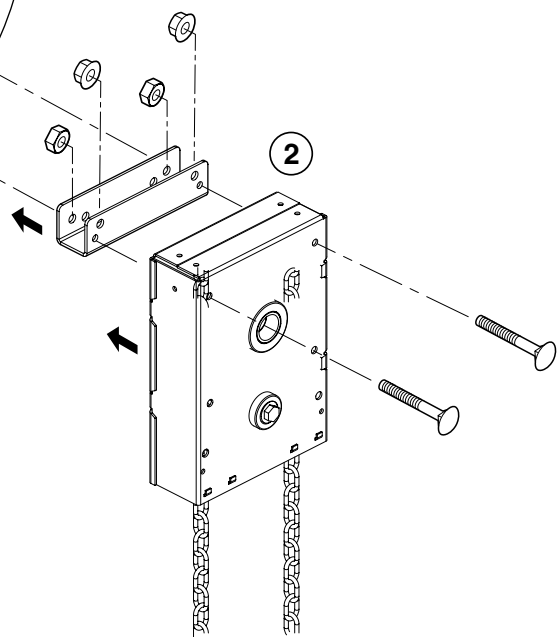
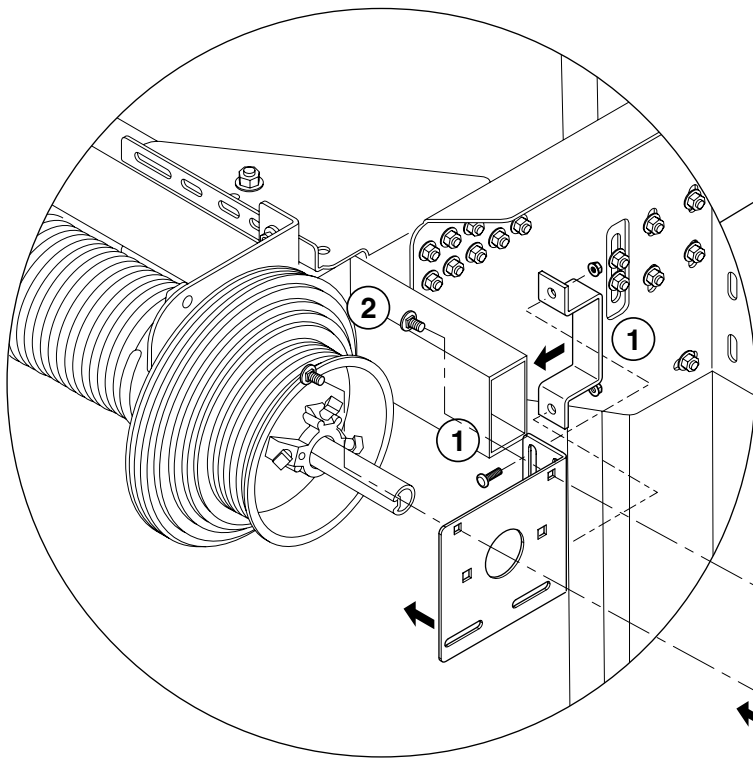
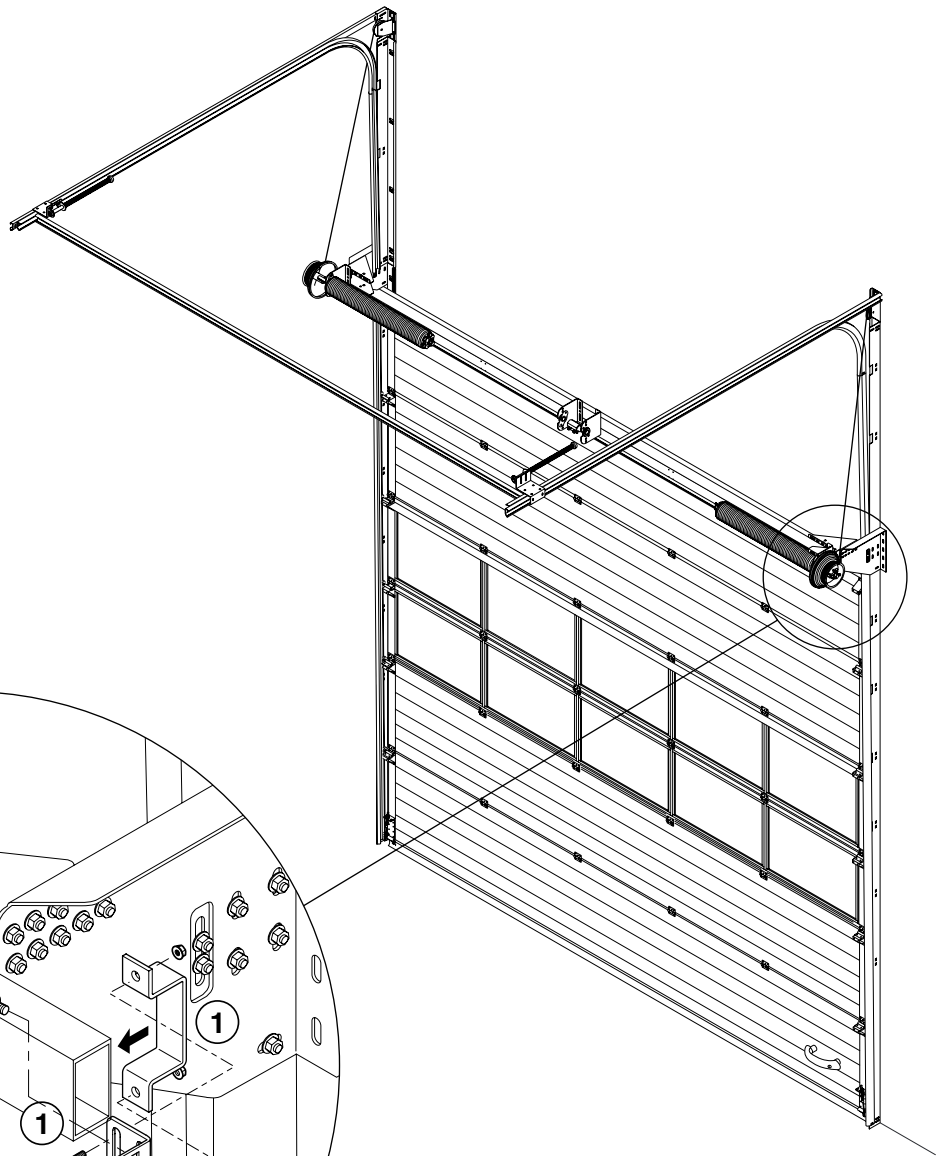
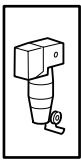
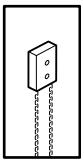


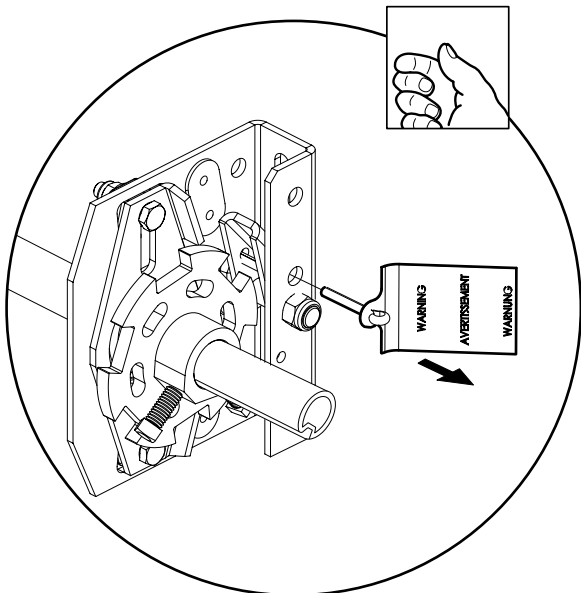
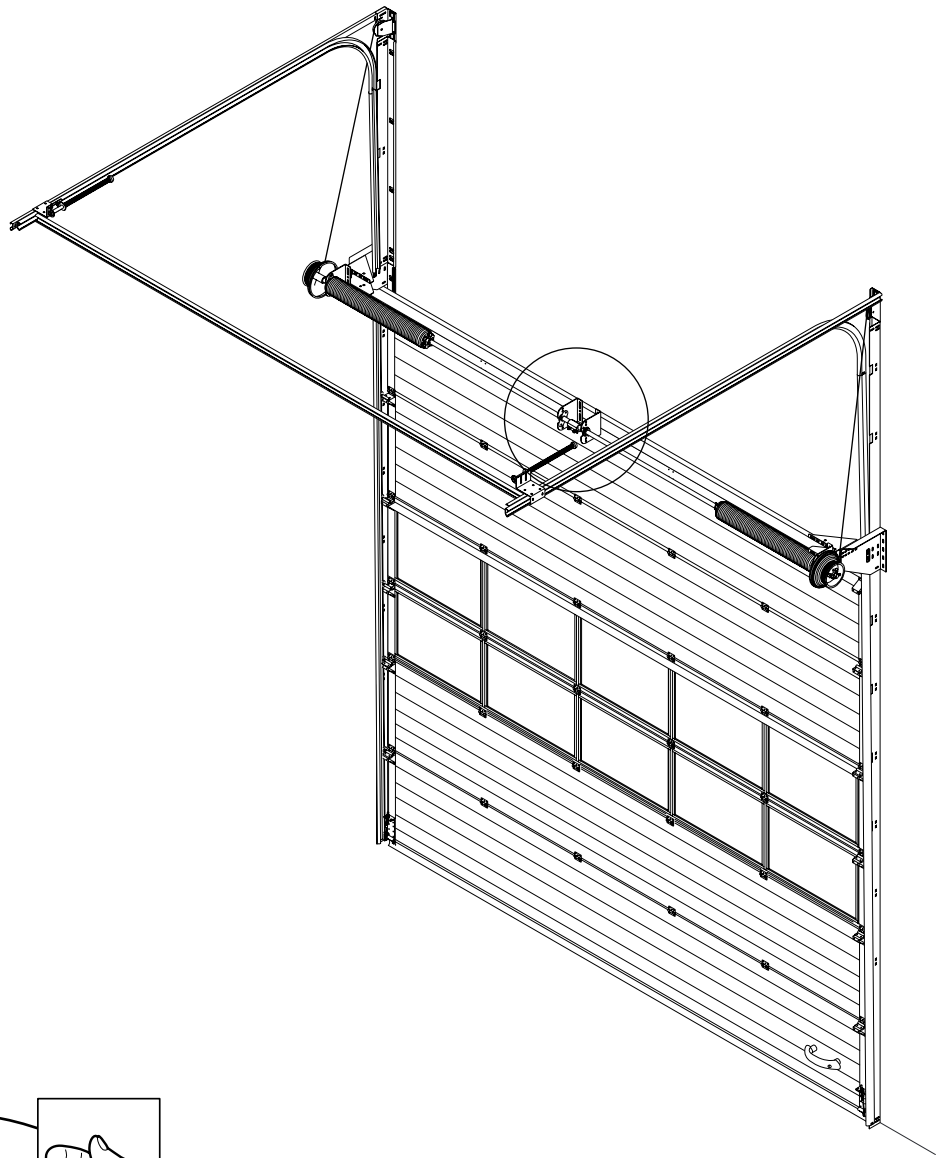
L+R



L+R









A large rectangular area with a thin border, containing 25 horizontal lines for writing, spaced evenly down the page.

© Copyright Alpha deuren International b.v.

This manual was prepared and issued by Alpha deuren International B.V. Netherlands. It is supplied to approved agents of Alpha deuren International B.V. All rights are reserved. The information in this document is the property of Alpha deuren International B.V., the Netherlands. Disclosure of this information or any part of it to third parties is prohibited, except with prior and express written permission of Alpha deuren International B.V., the Netherlands.

