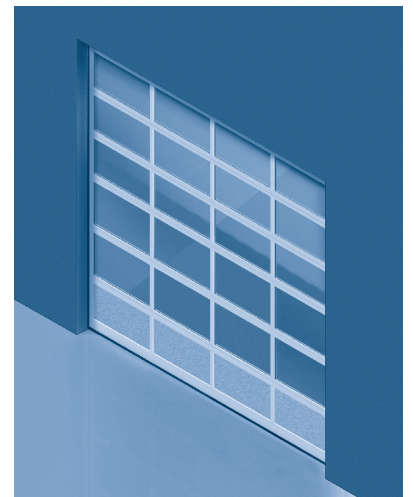
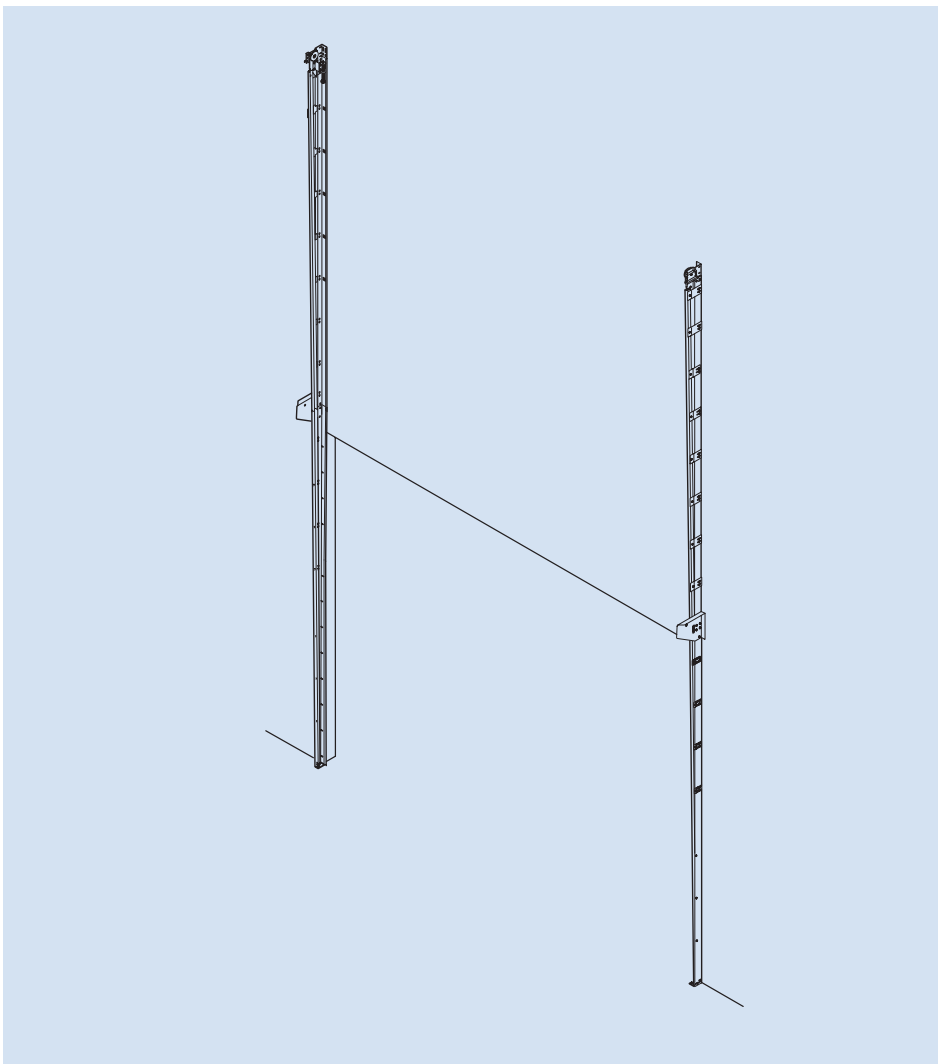
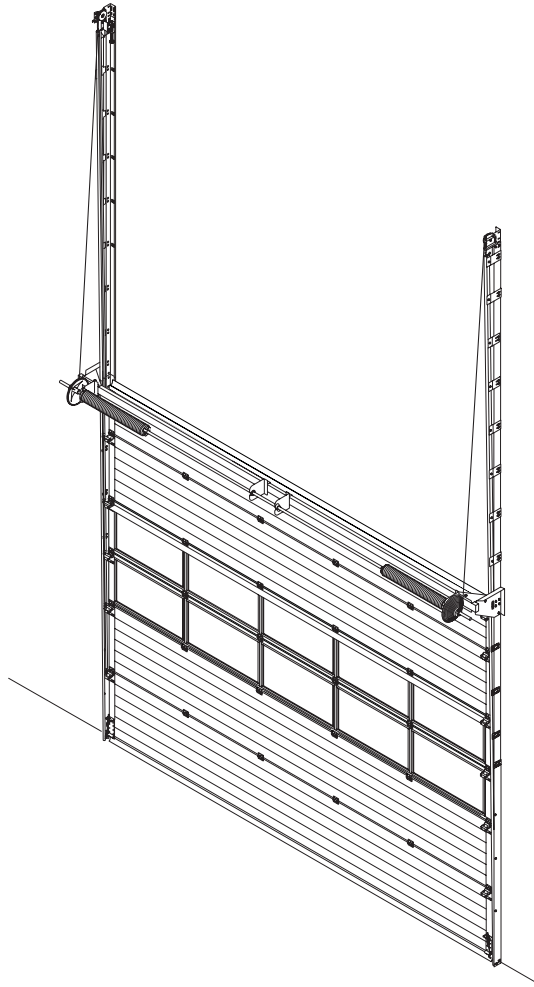
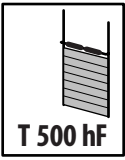
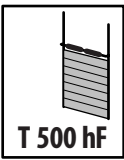


T 500 hF

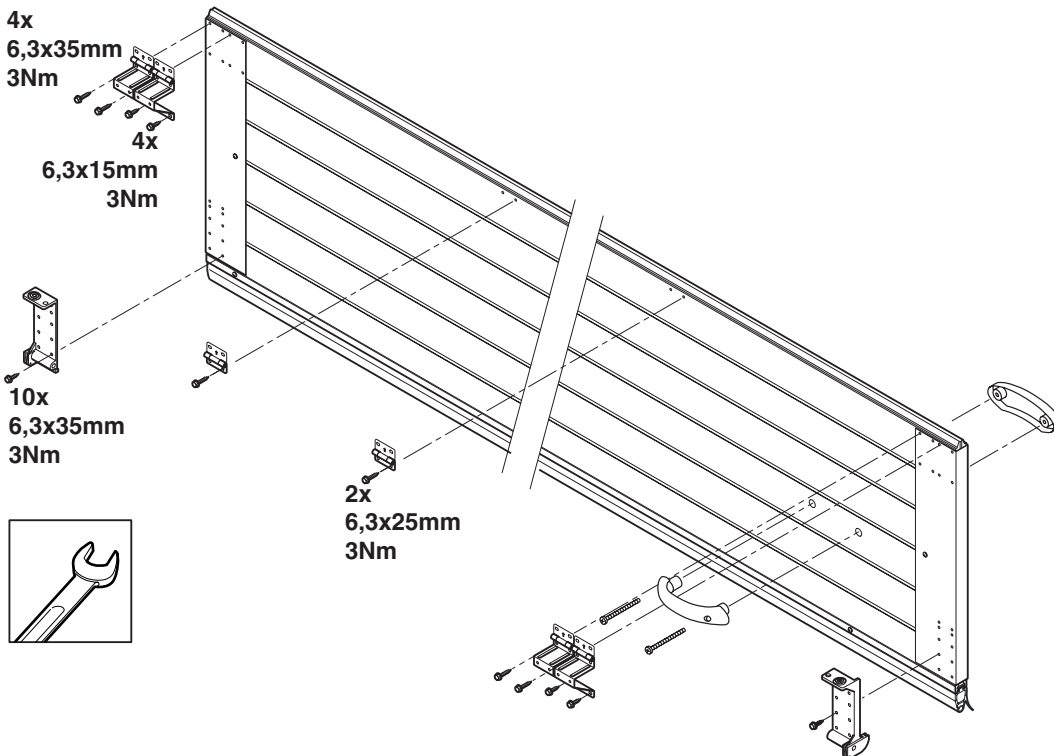
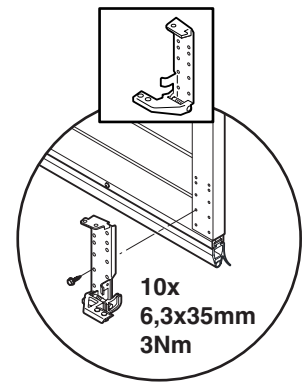
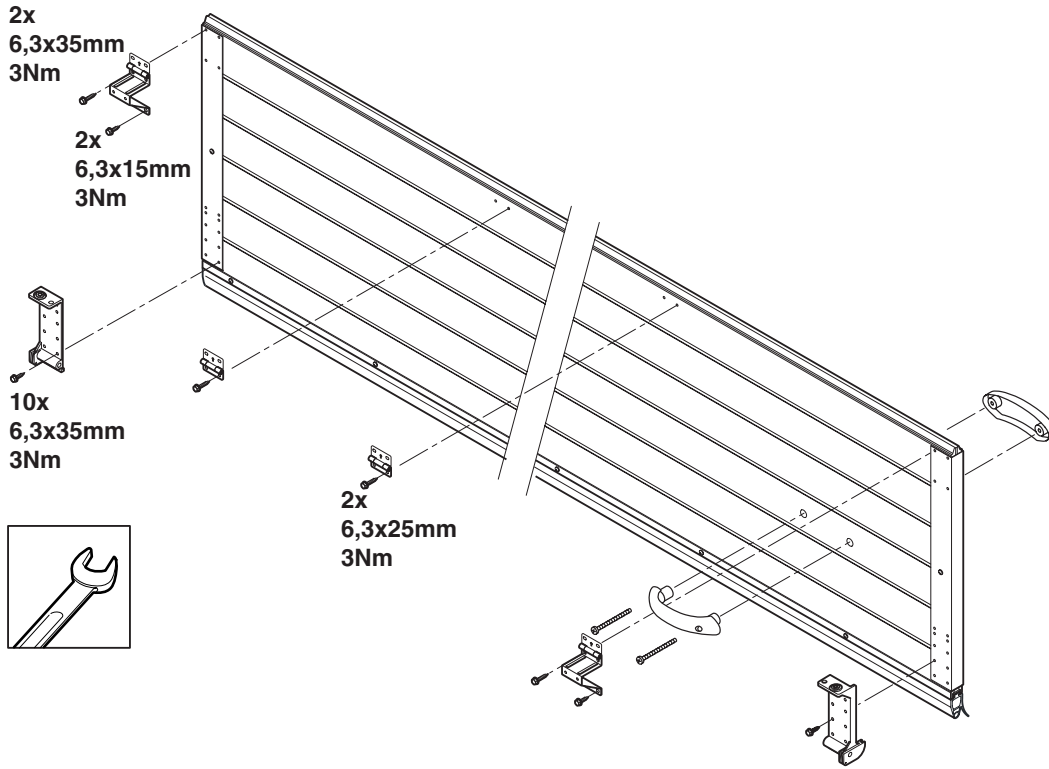
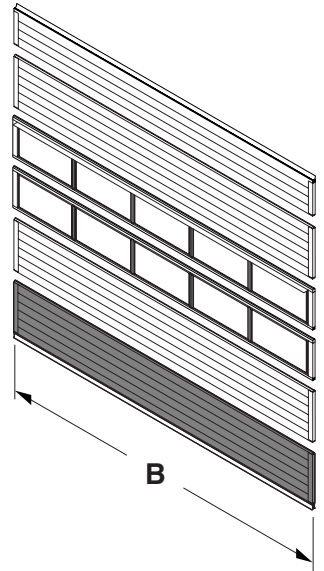




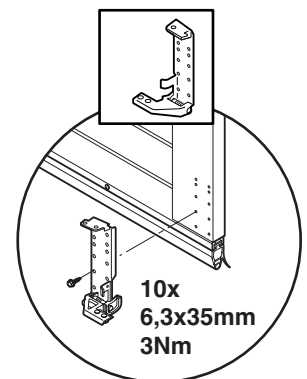


T 500 hF

B < 5000mm

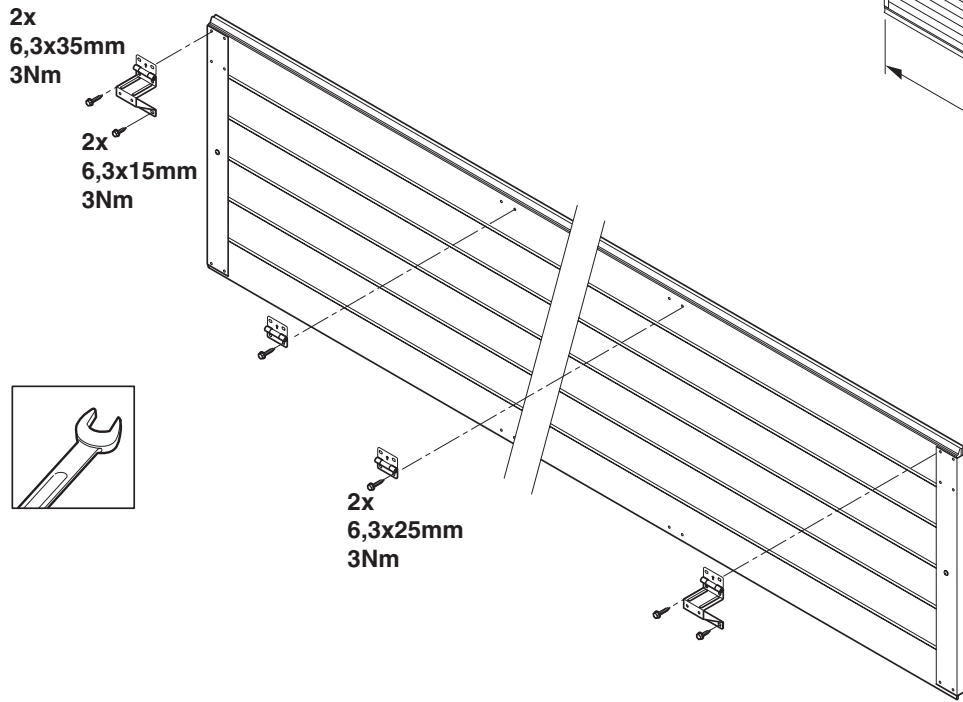
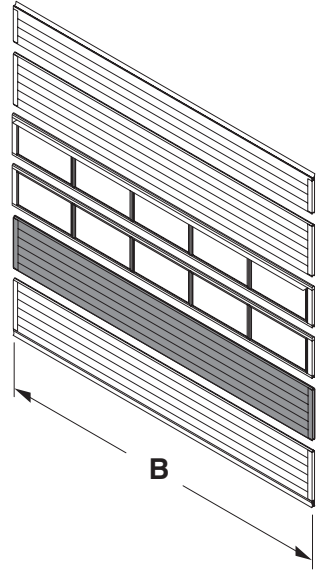


B > 5000mm

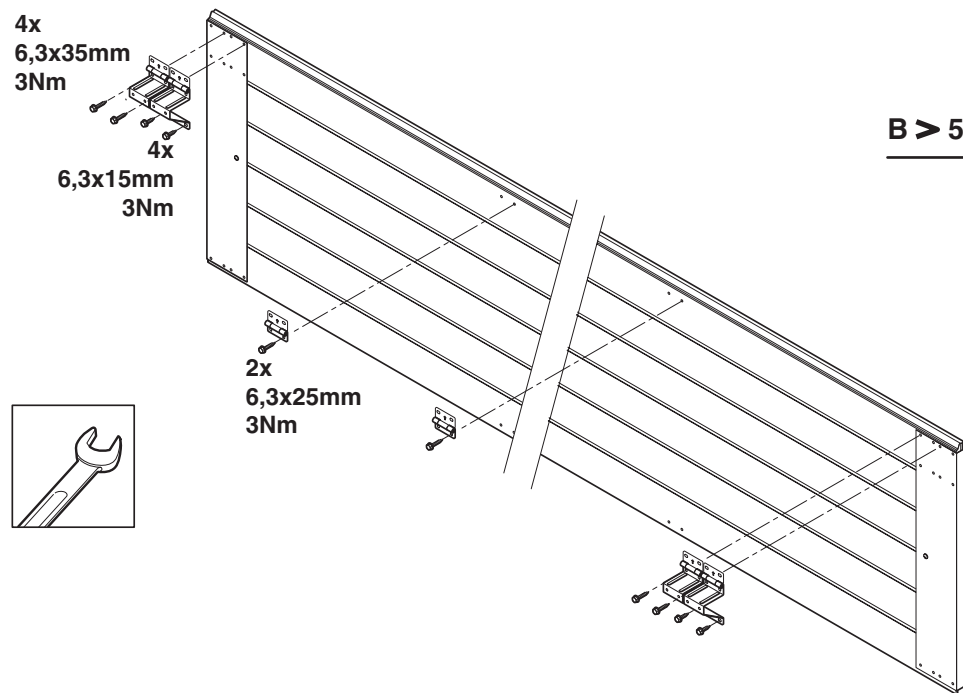


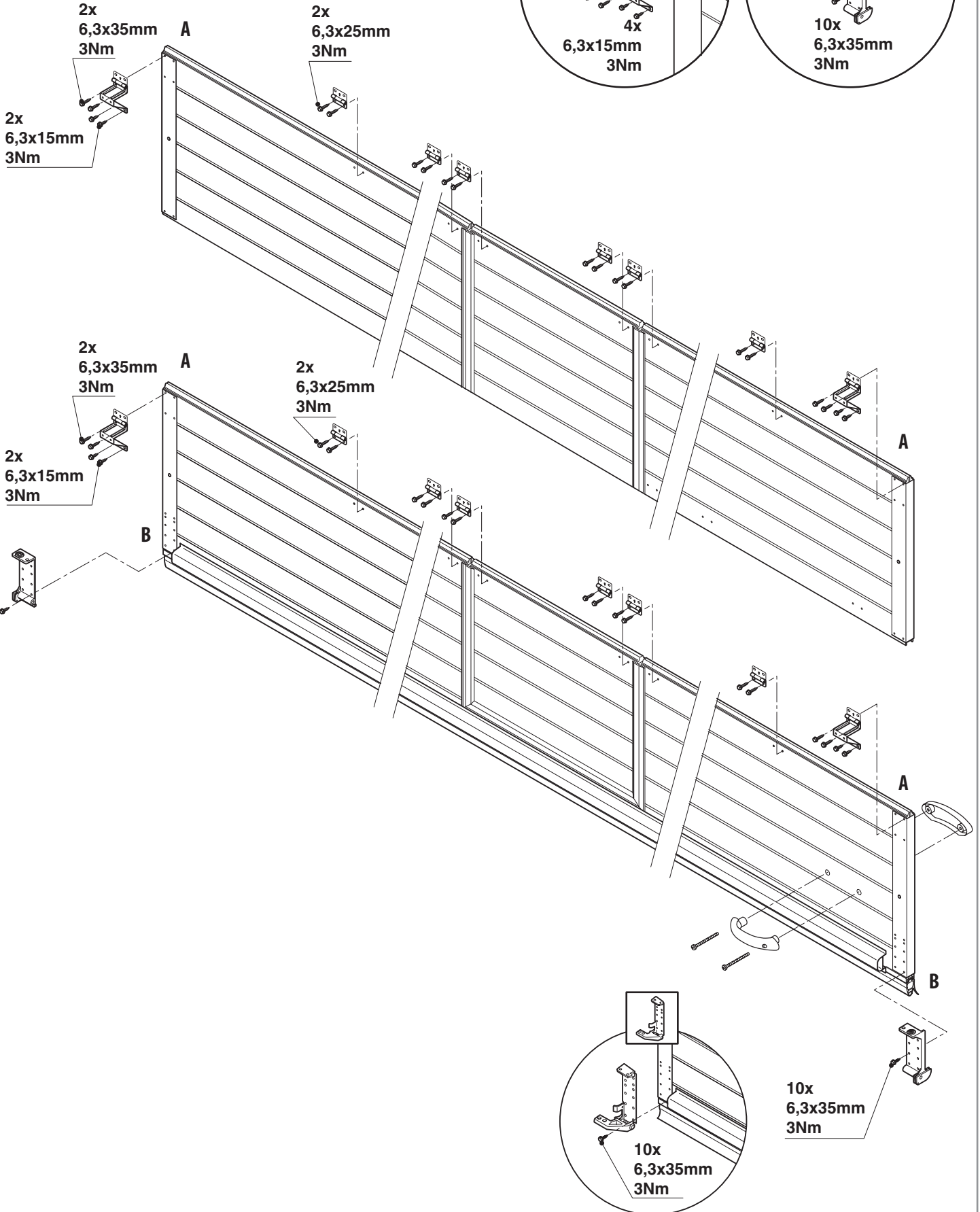
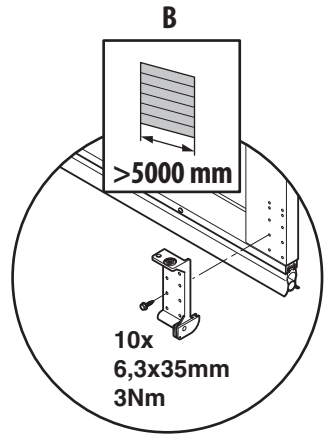
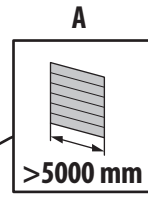
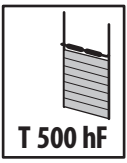


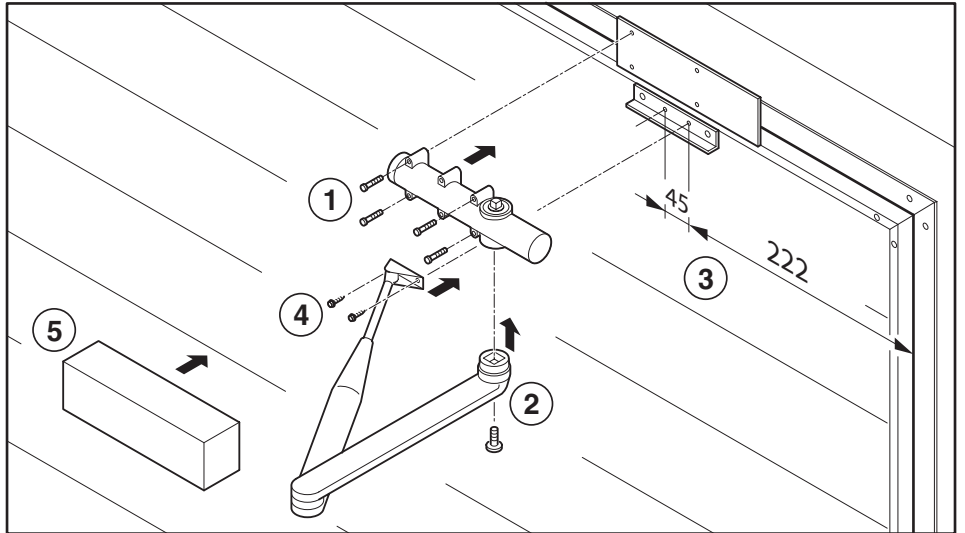
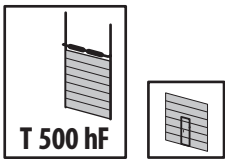
B < 5000mm



B > 5000mm

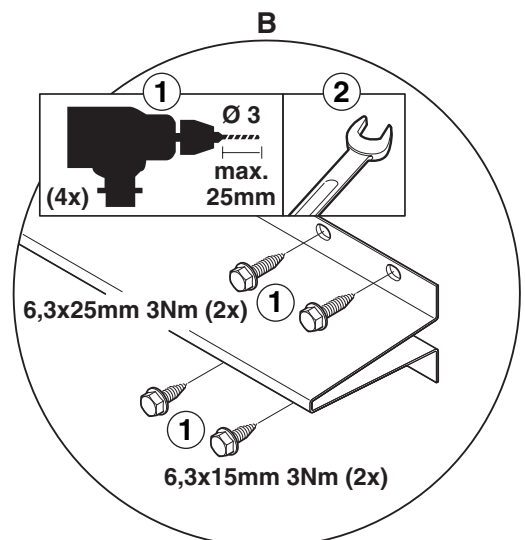
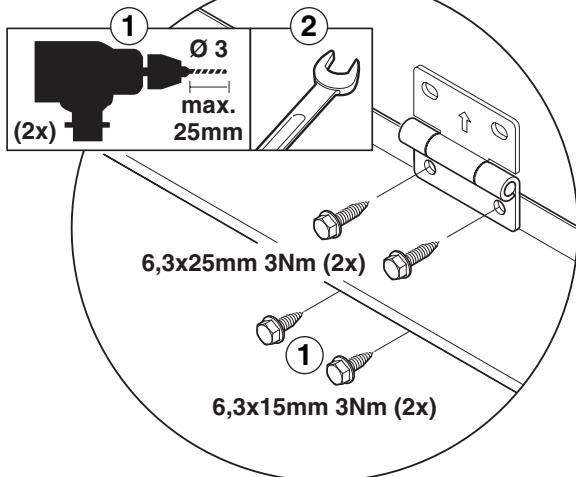
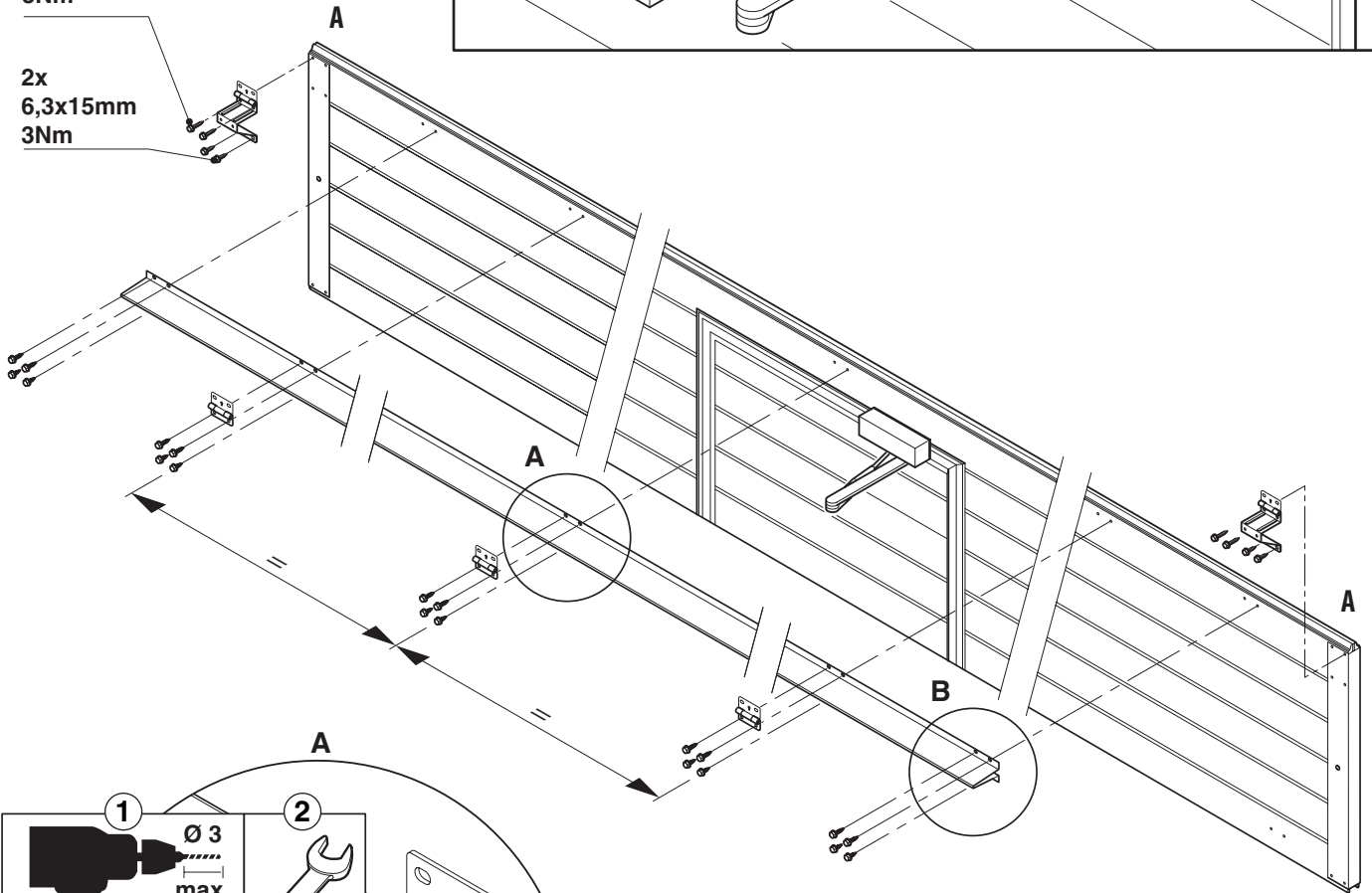


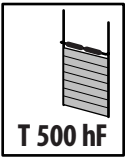




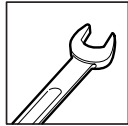
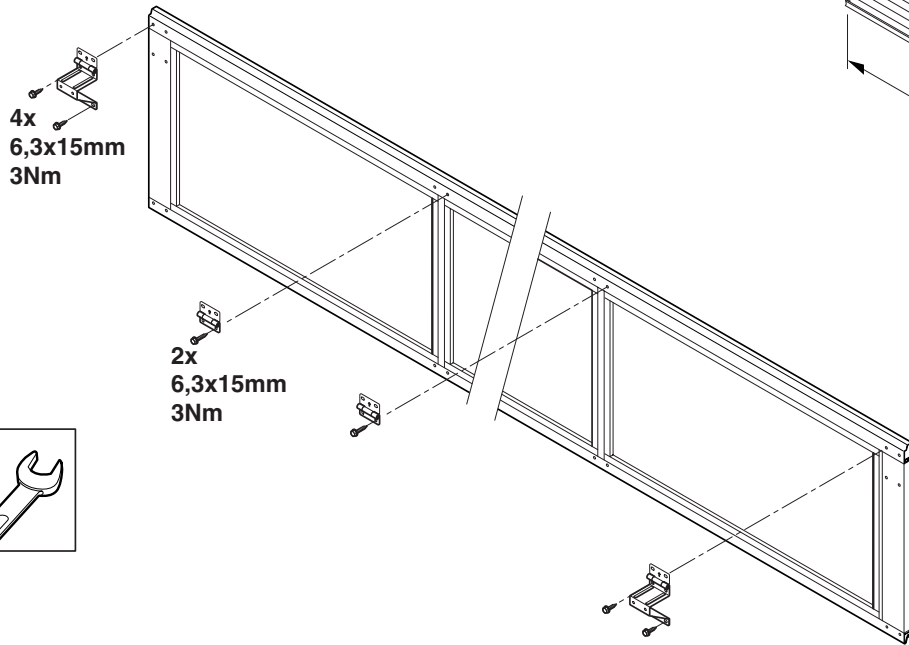
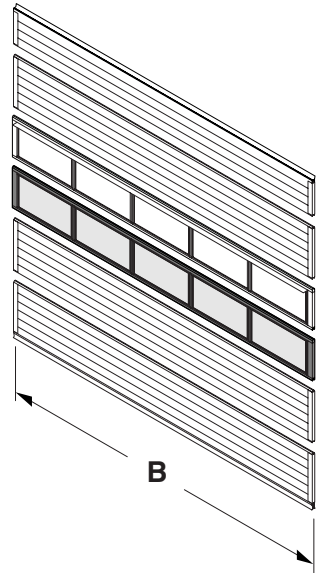
2x
6,3x35mm
3Nm

2x
6,3x15mm
3Nm

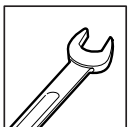
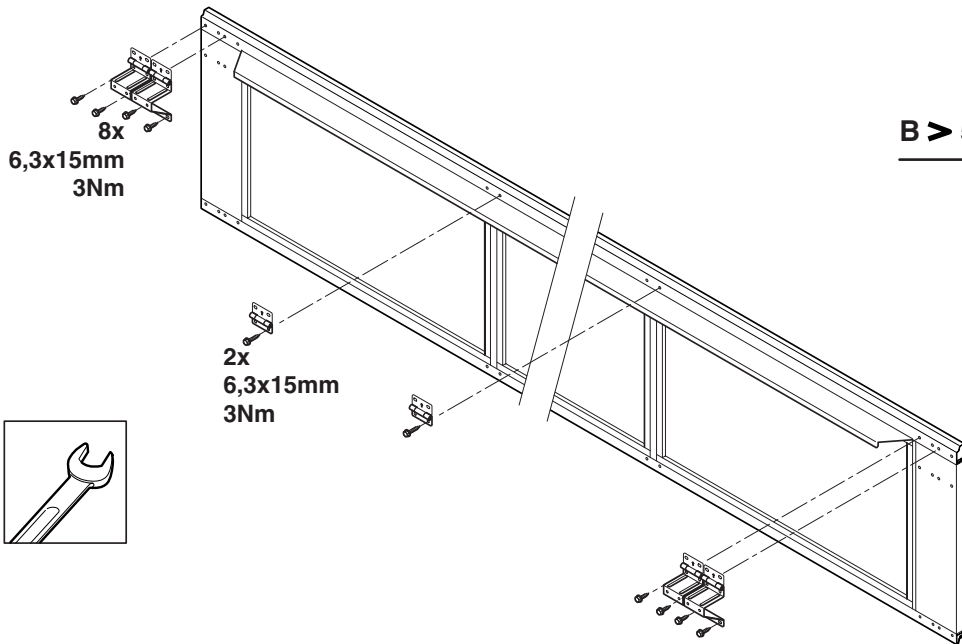


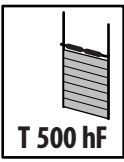


B < 5000mm

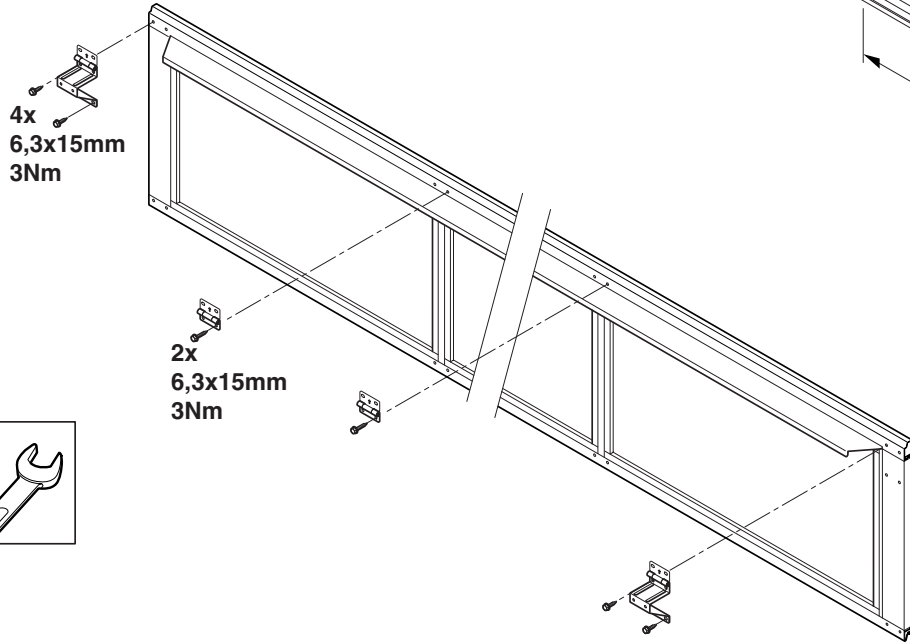
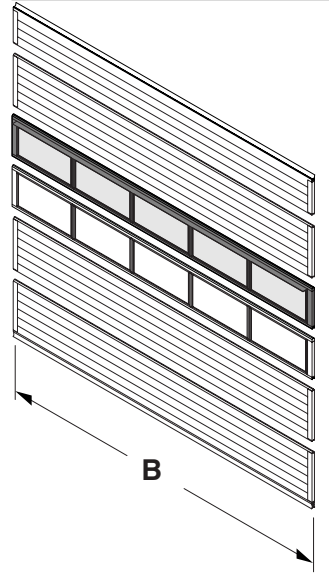


B > 5000mm

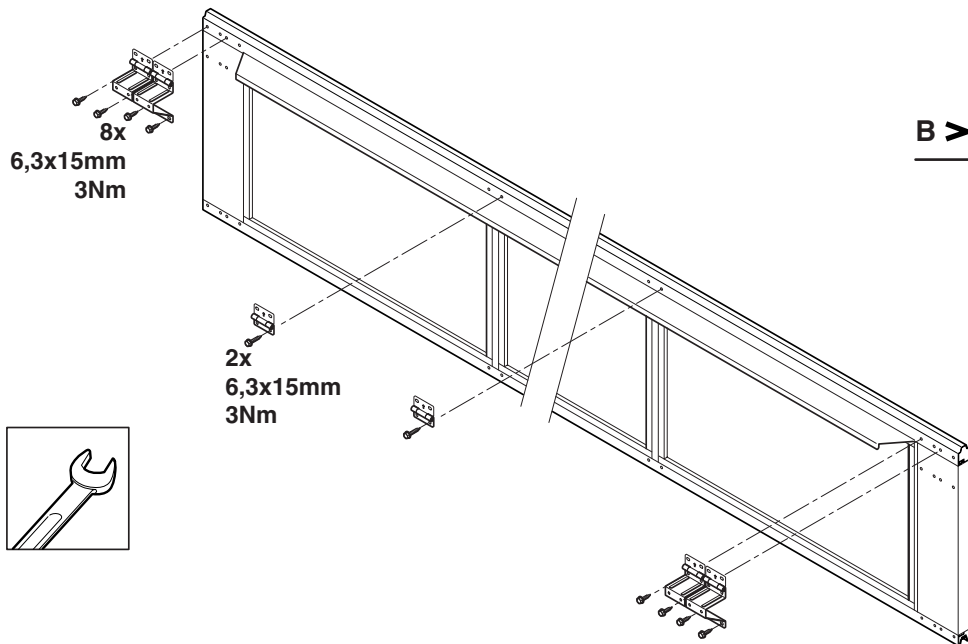


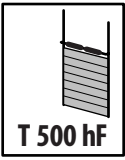


B < 5000mm

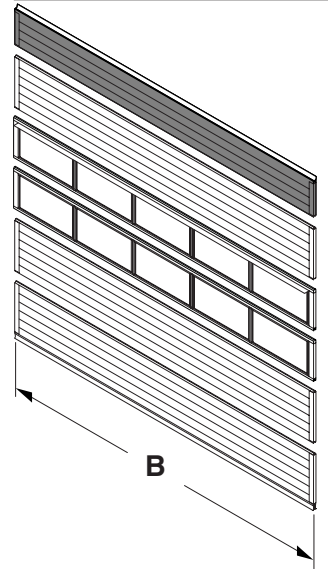


B > 5000mm



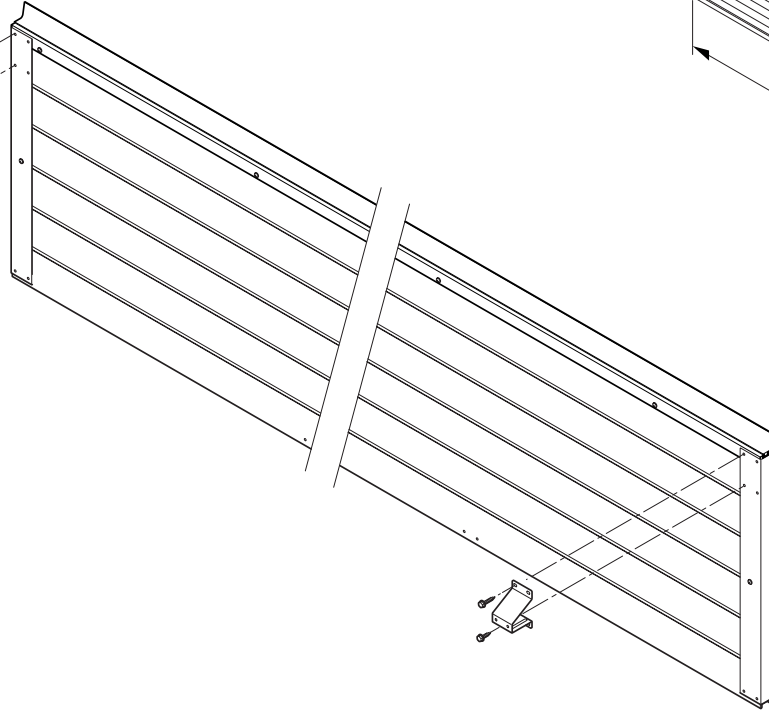
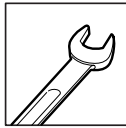


B < 5000mm



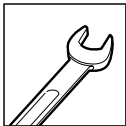
2x
6,3x35mm
3Nm

2x
6,3x15mm
3Nm

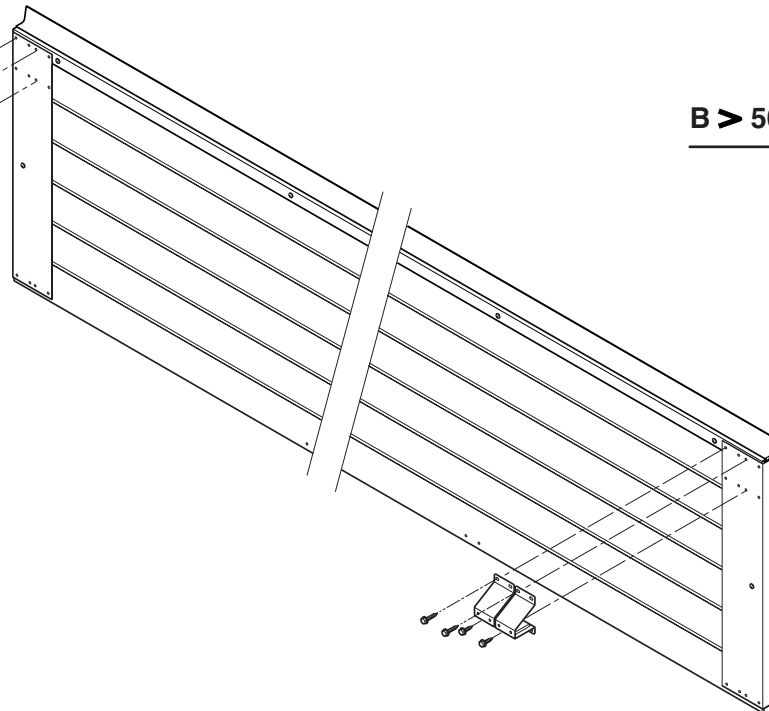


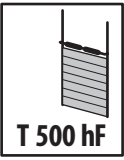
4x
6,3x35mm
3Nm

4x
6,3x15mm
3Nm

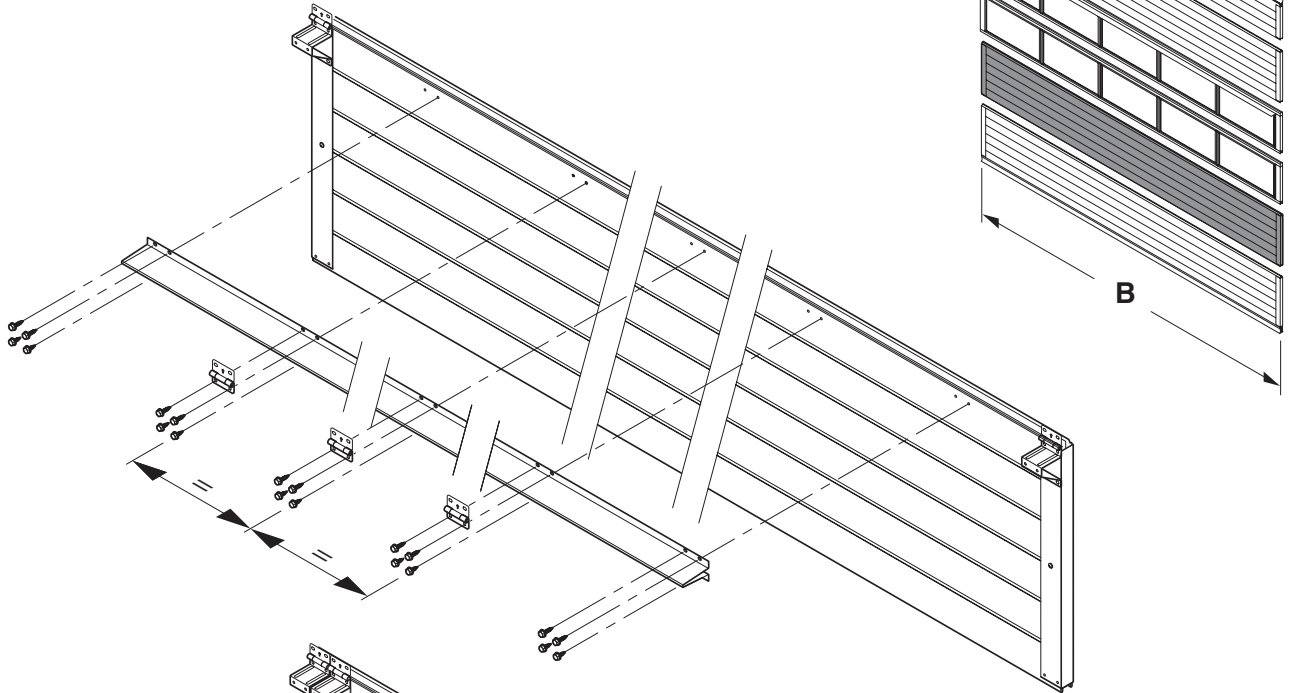


B > 5000mm

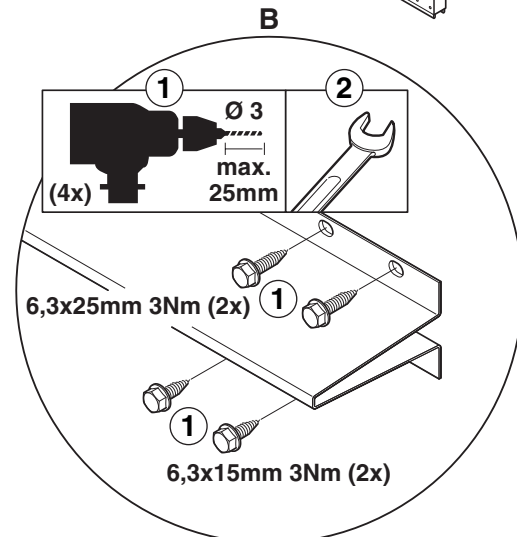
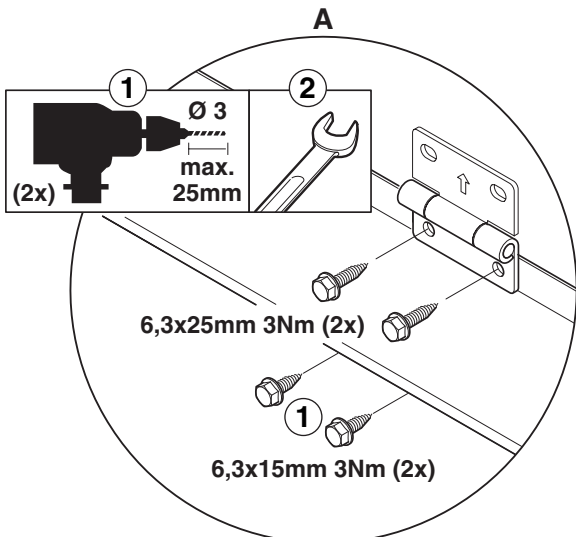
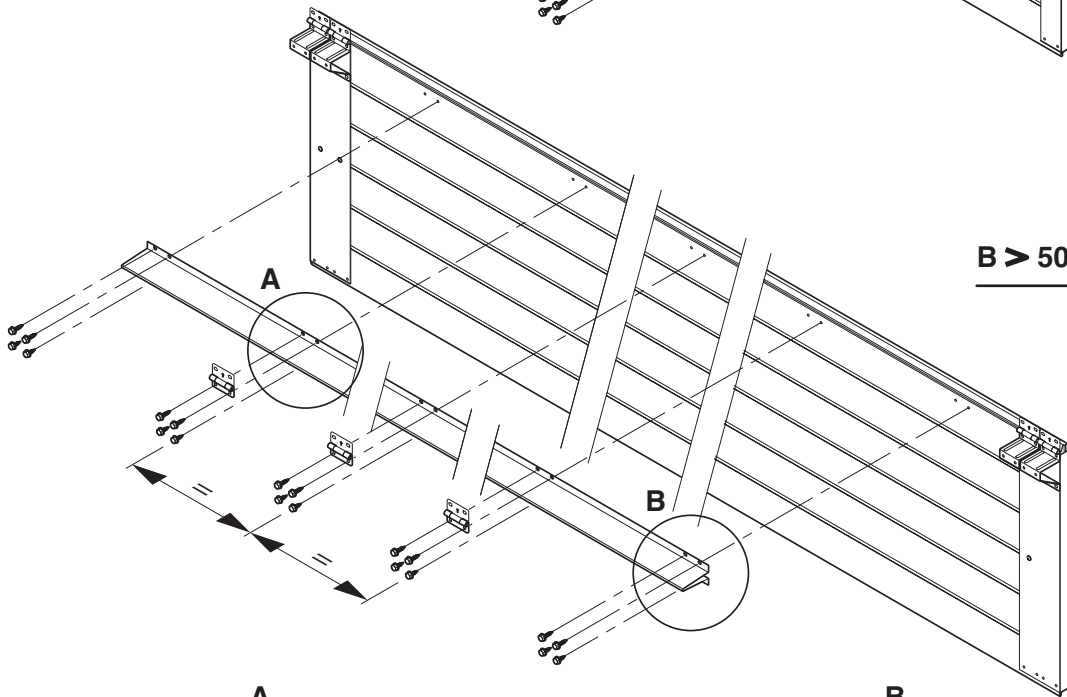


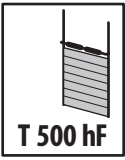


B < 5000mm

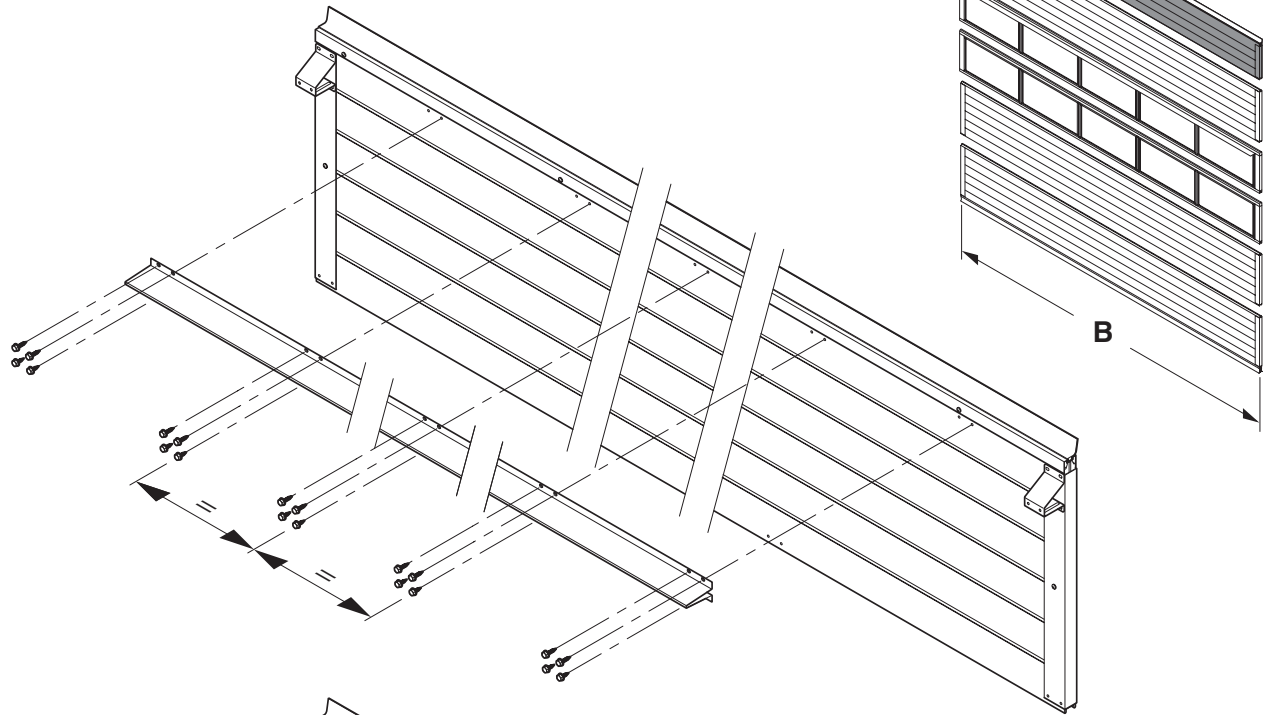


B > 5000mm

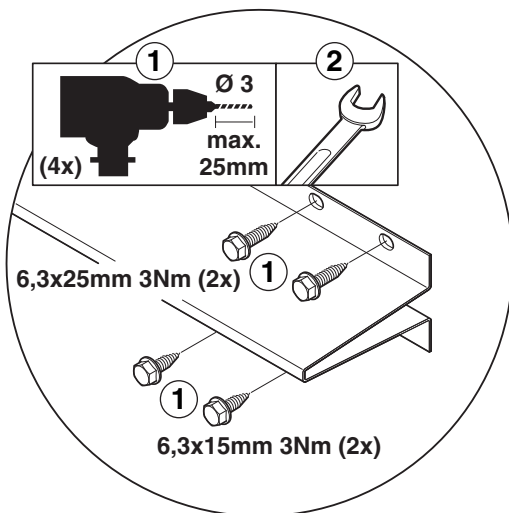
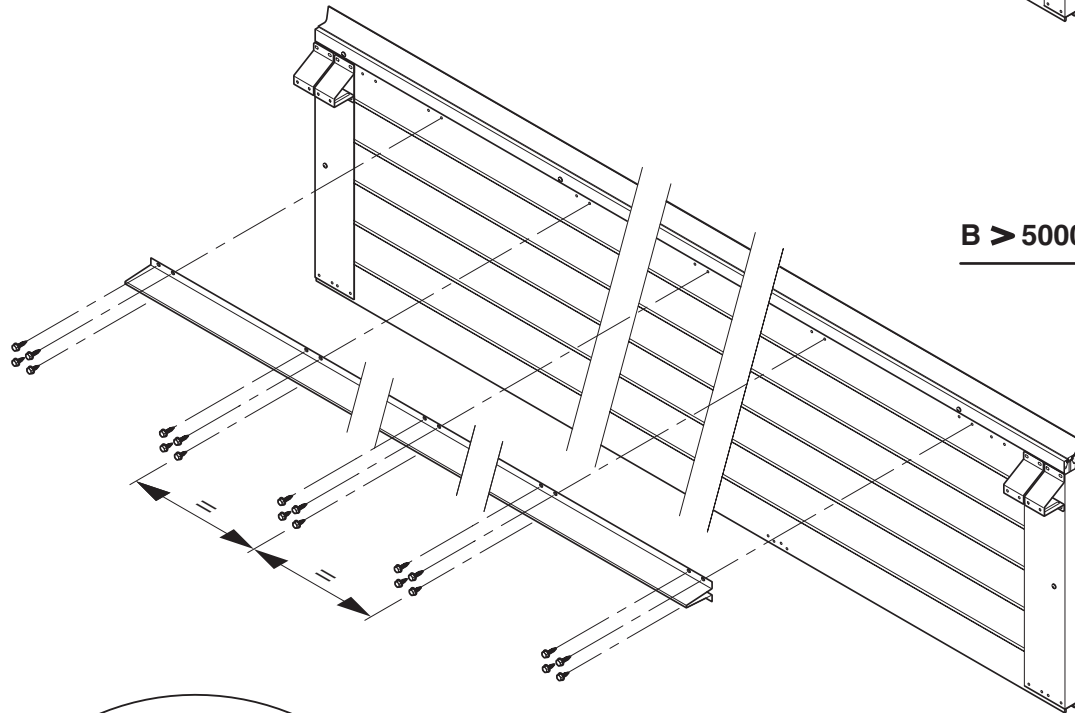


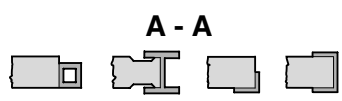
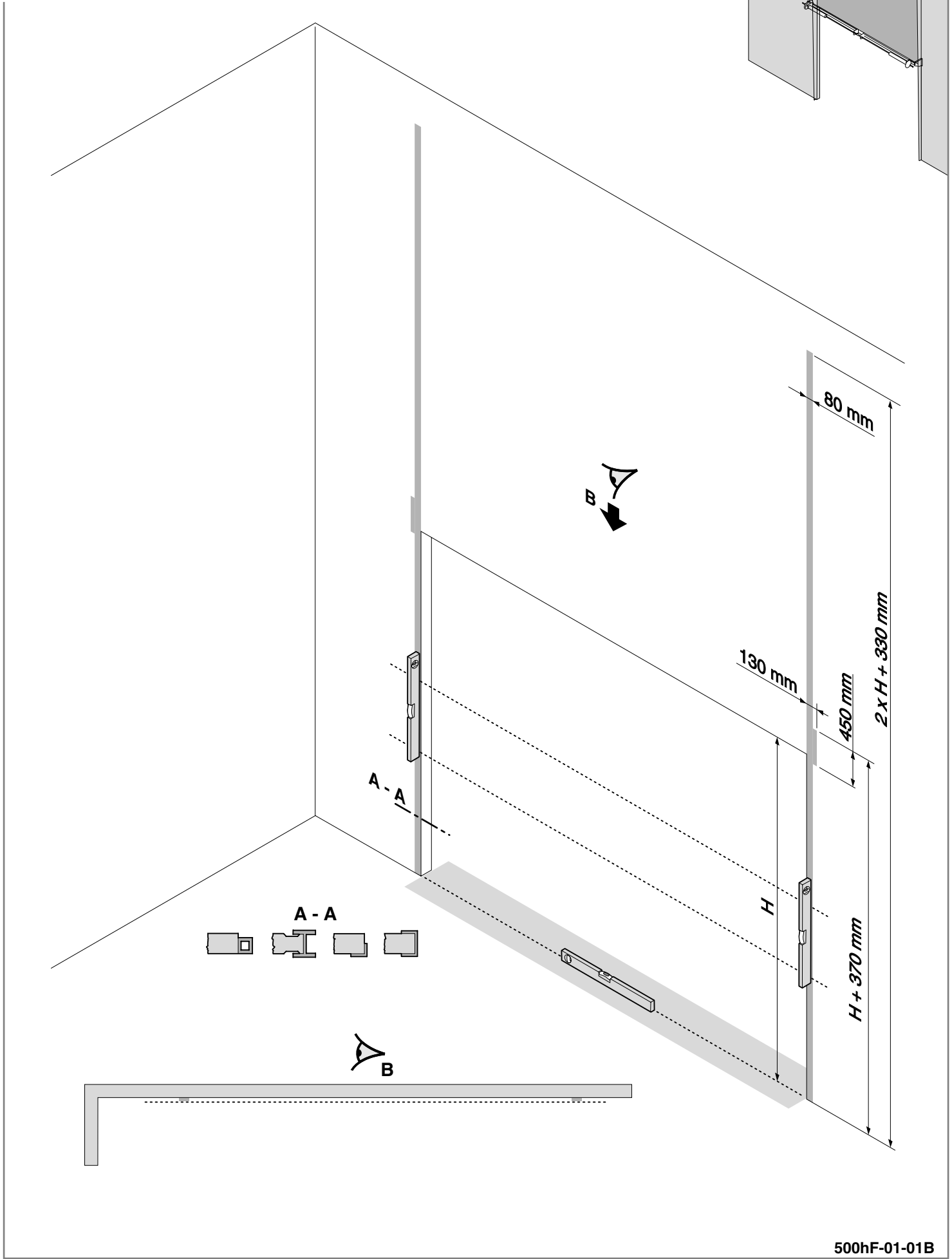
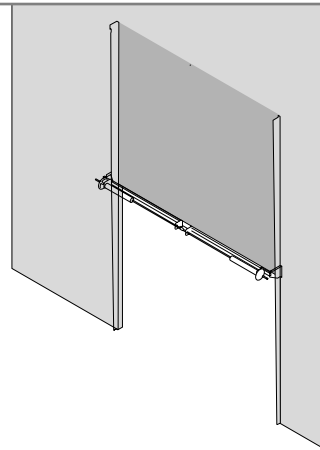
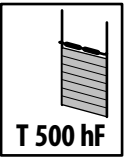


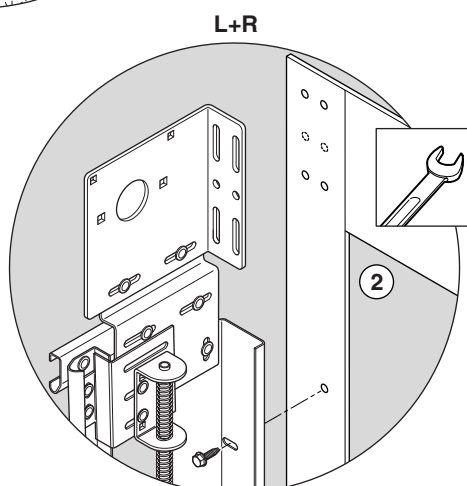
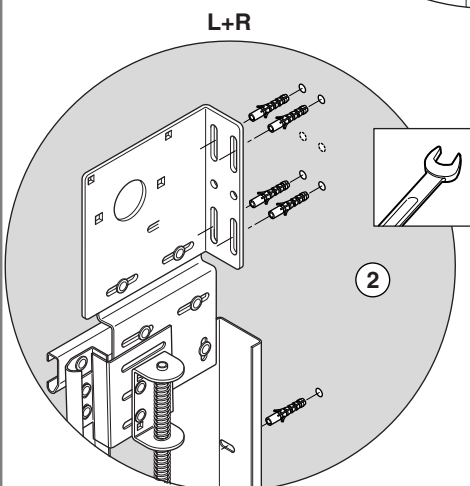
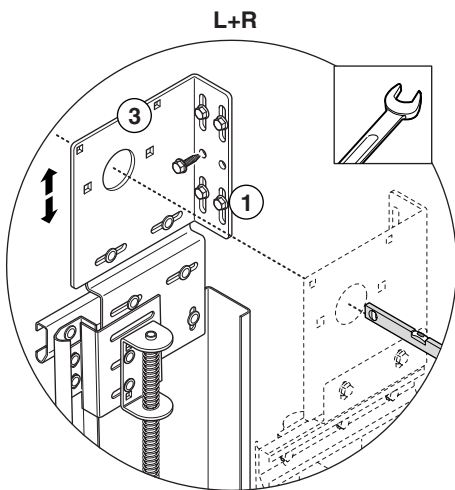
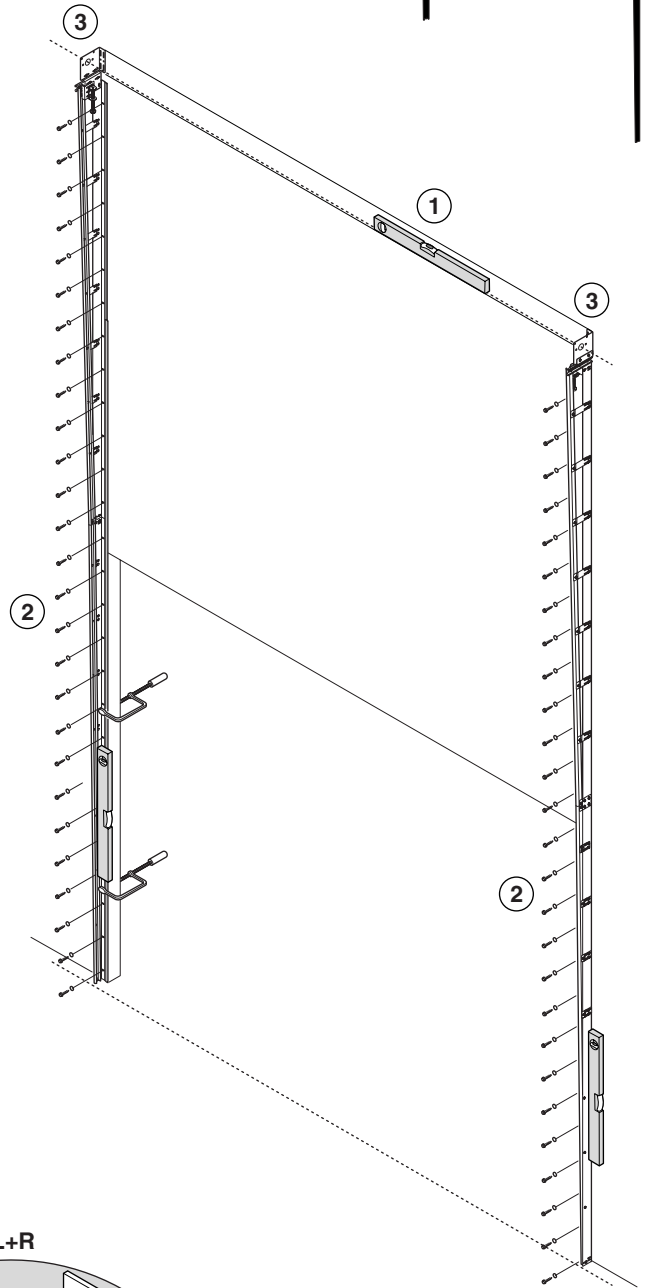
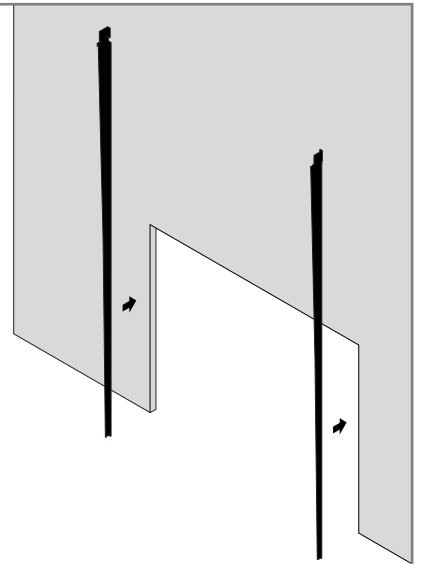
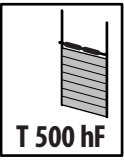
B < 5000mm

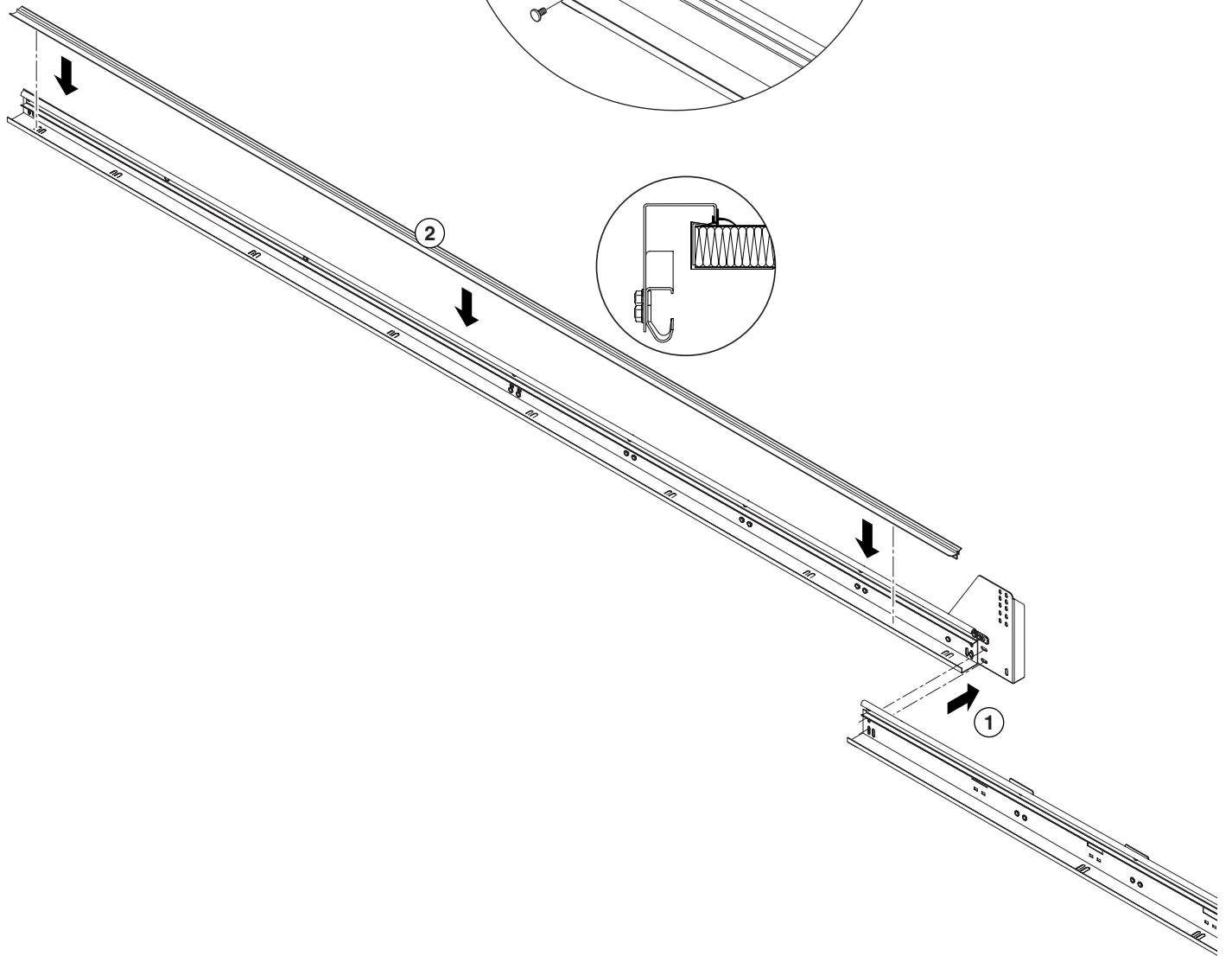
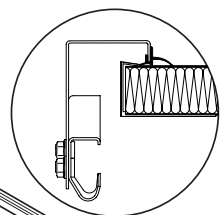
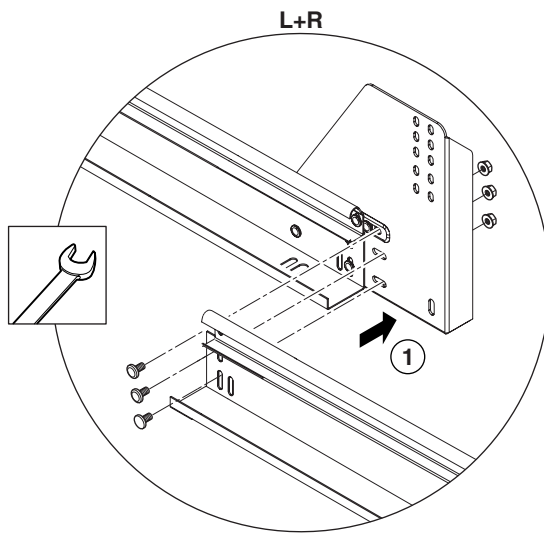
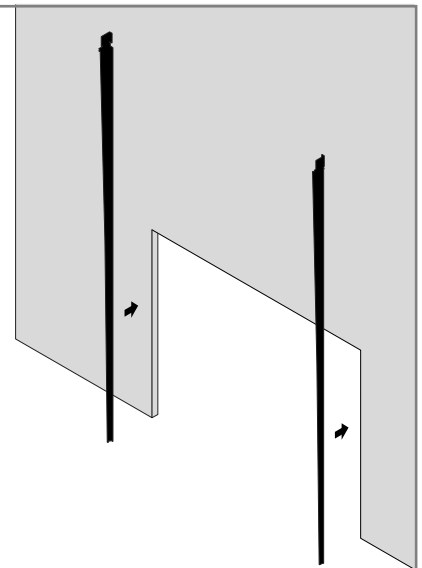


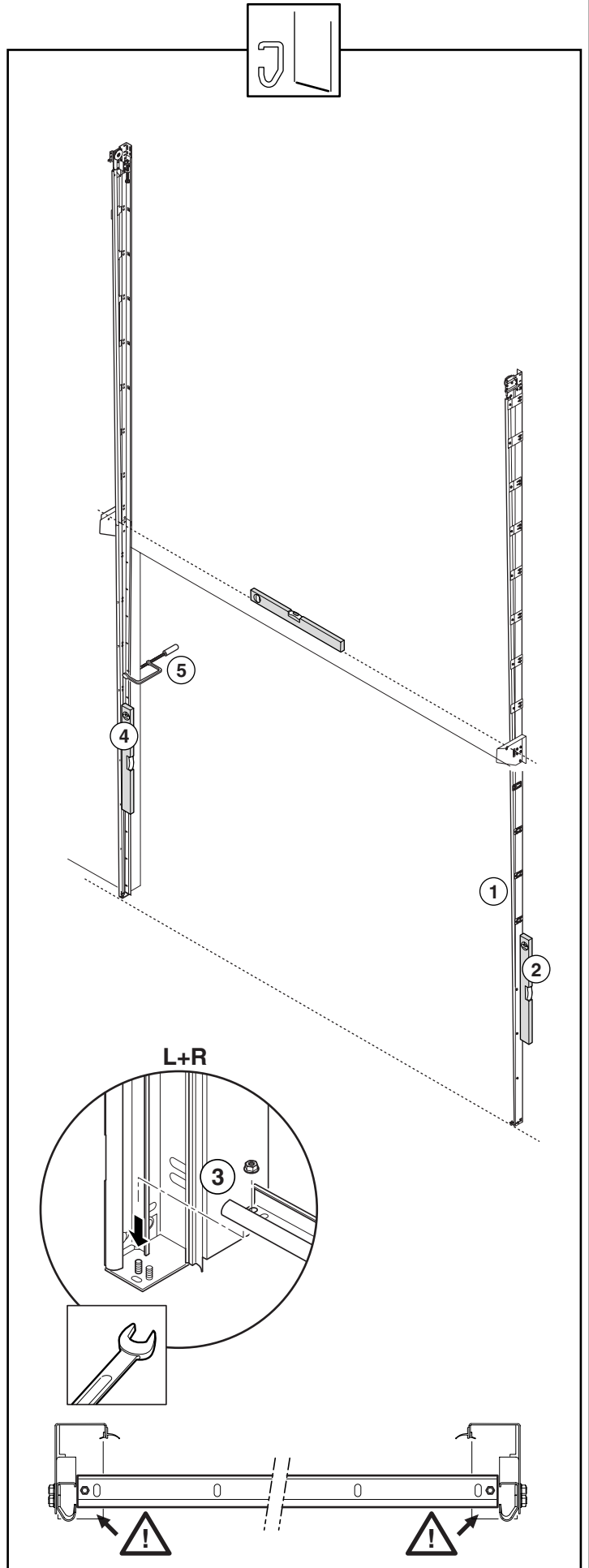
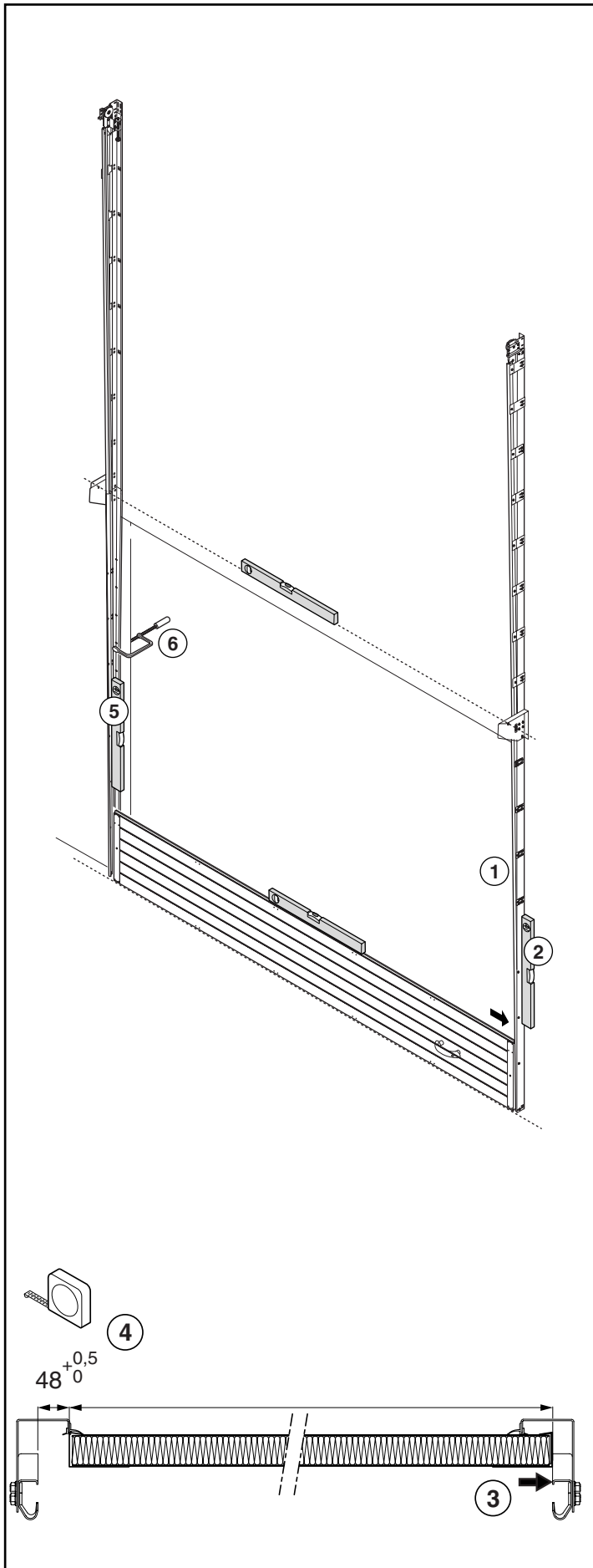
B > 5000mm

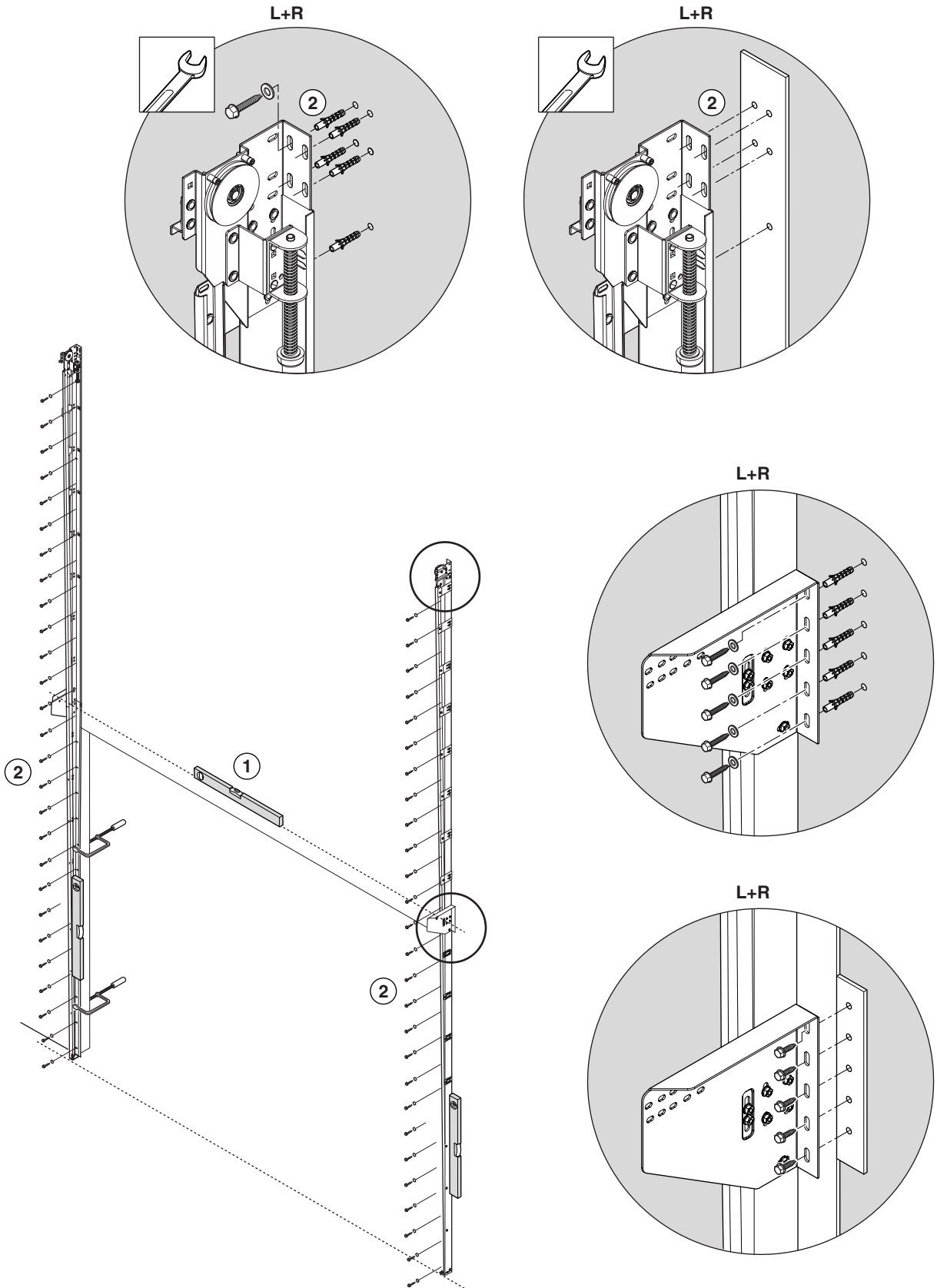


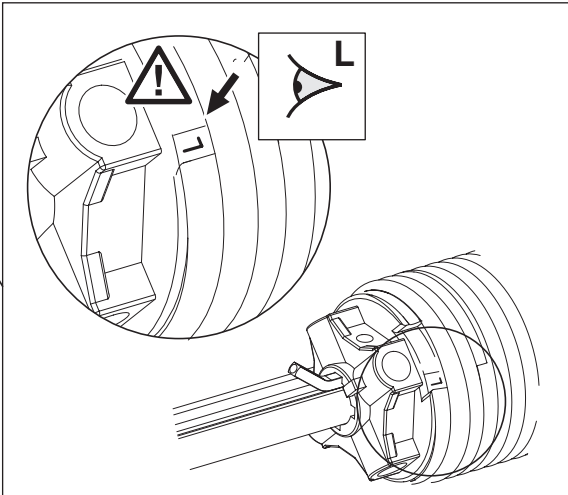
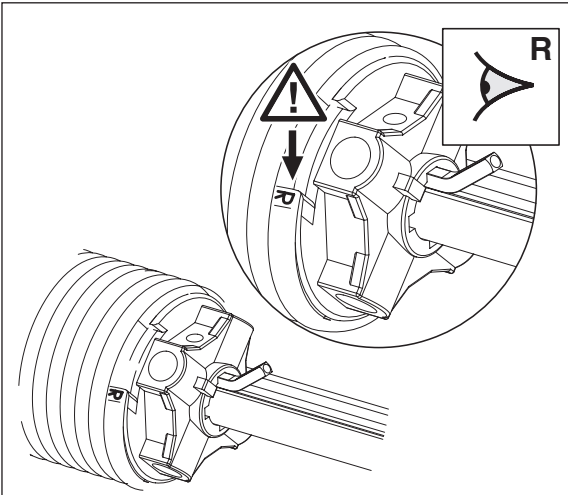
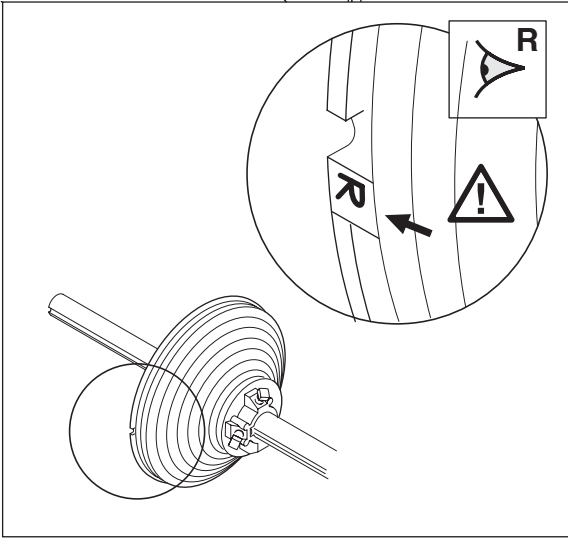
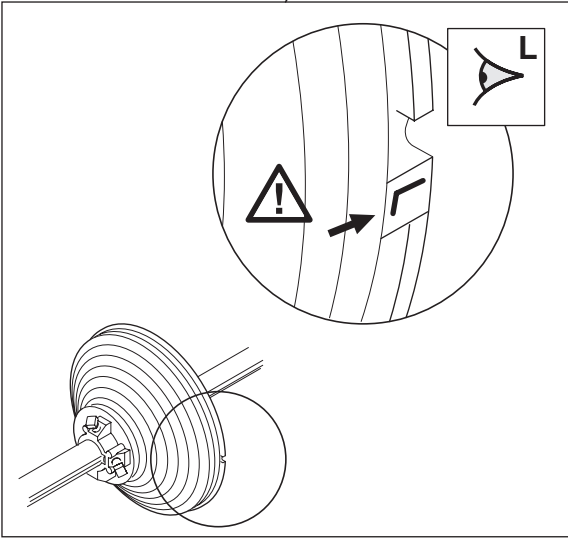
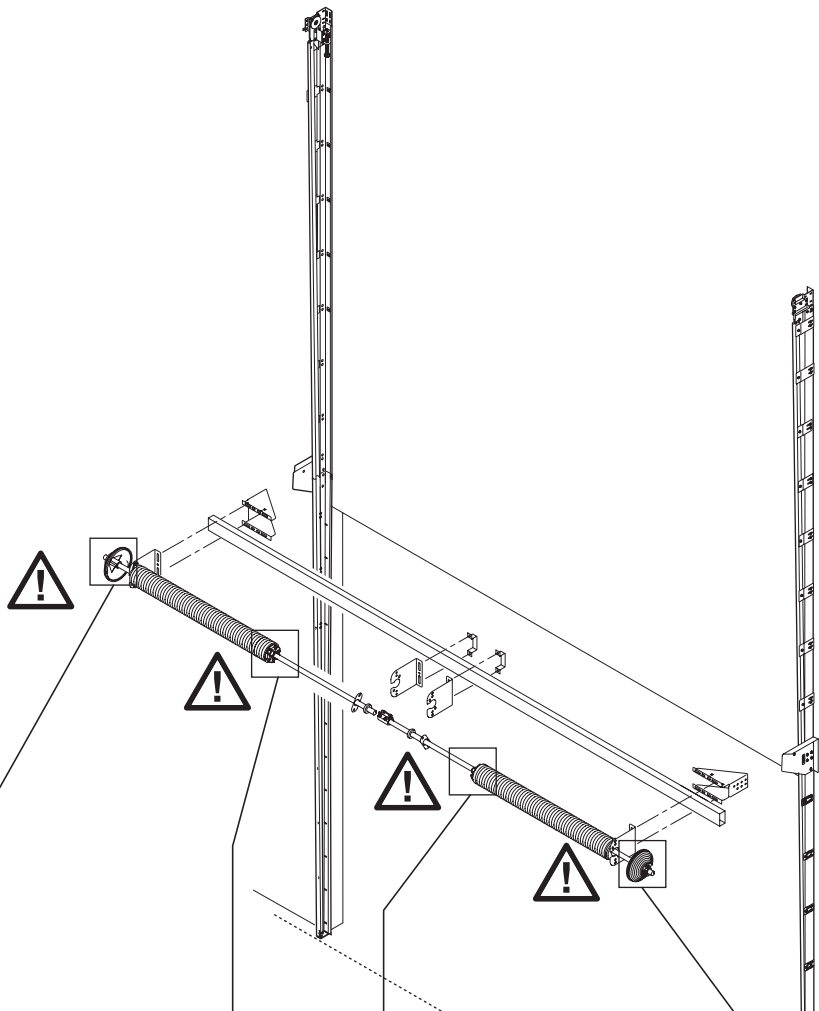


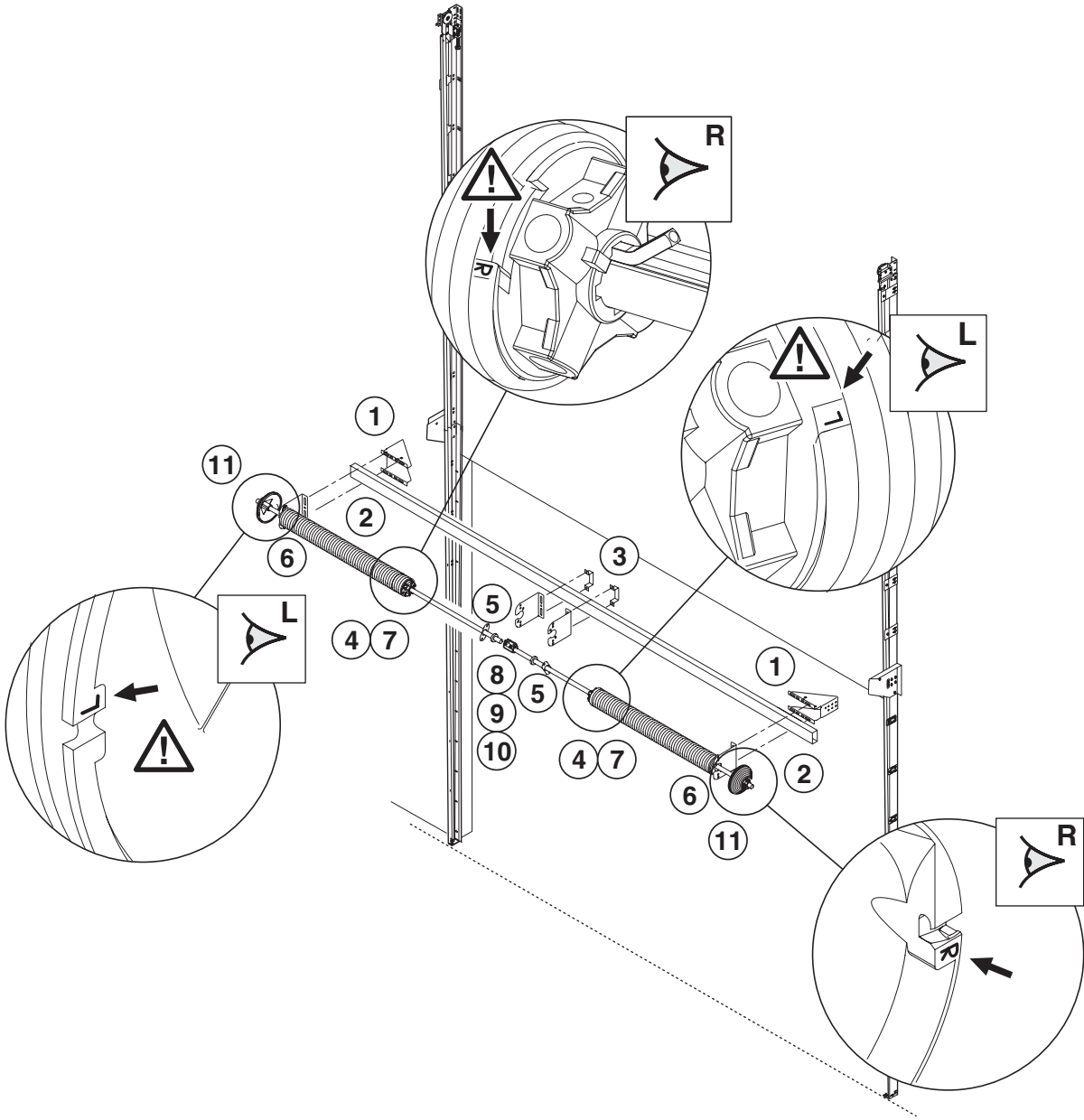


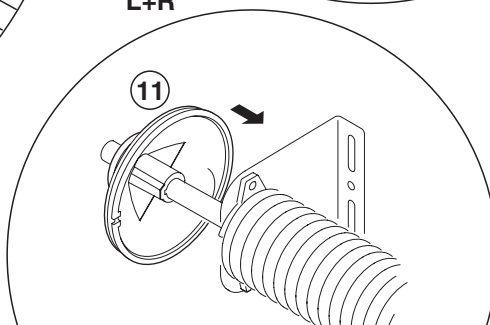
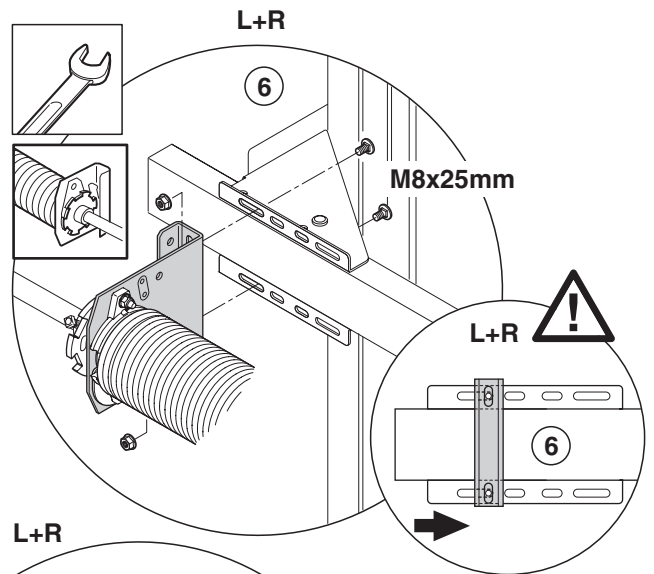
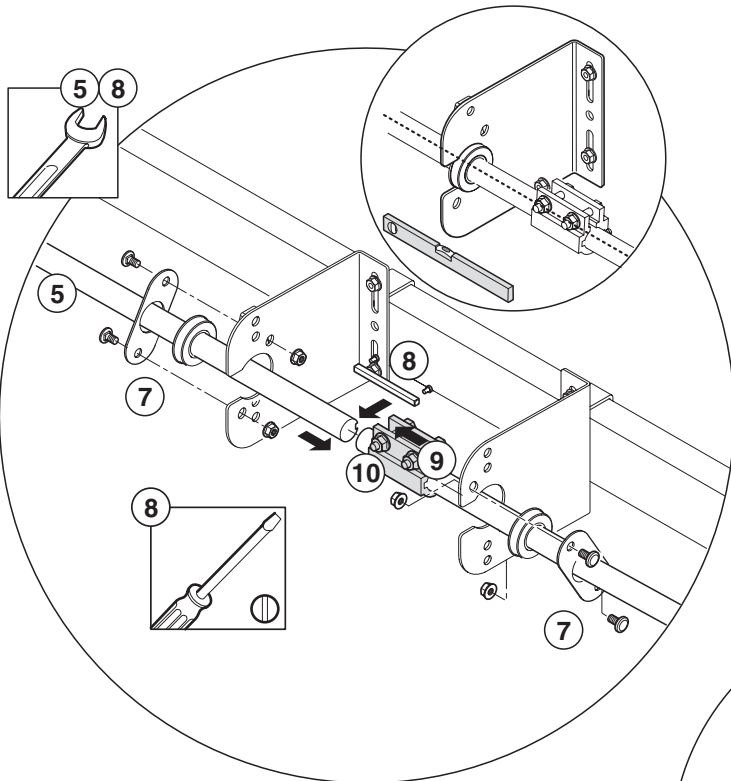
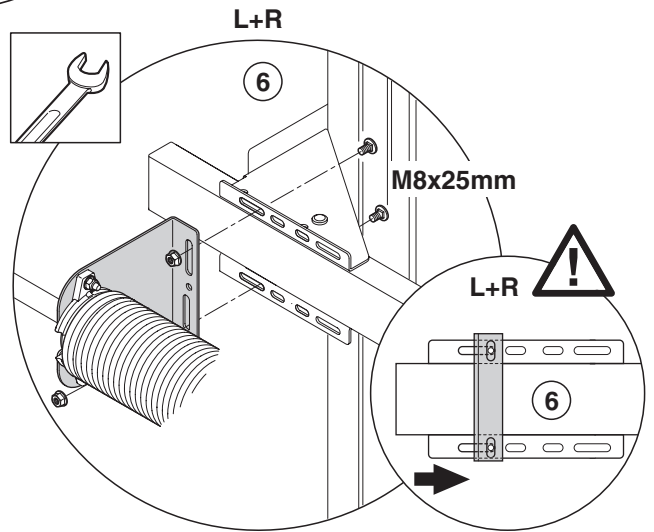
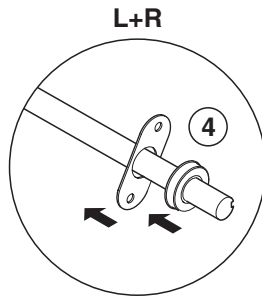
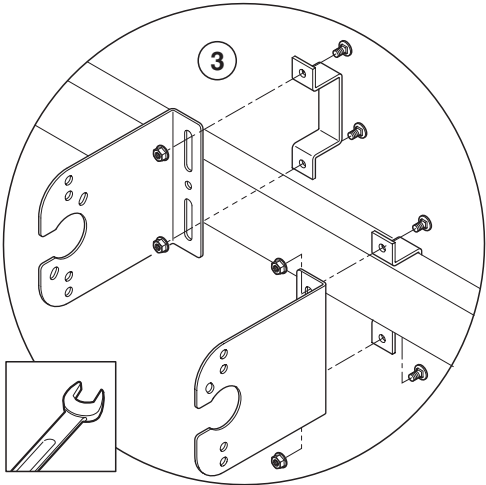
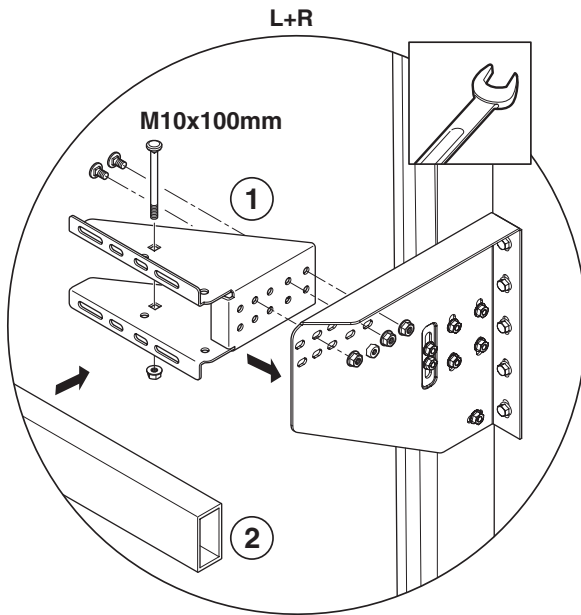


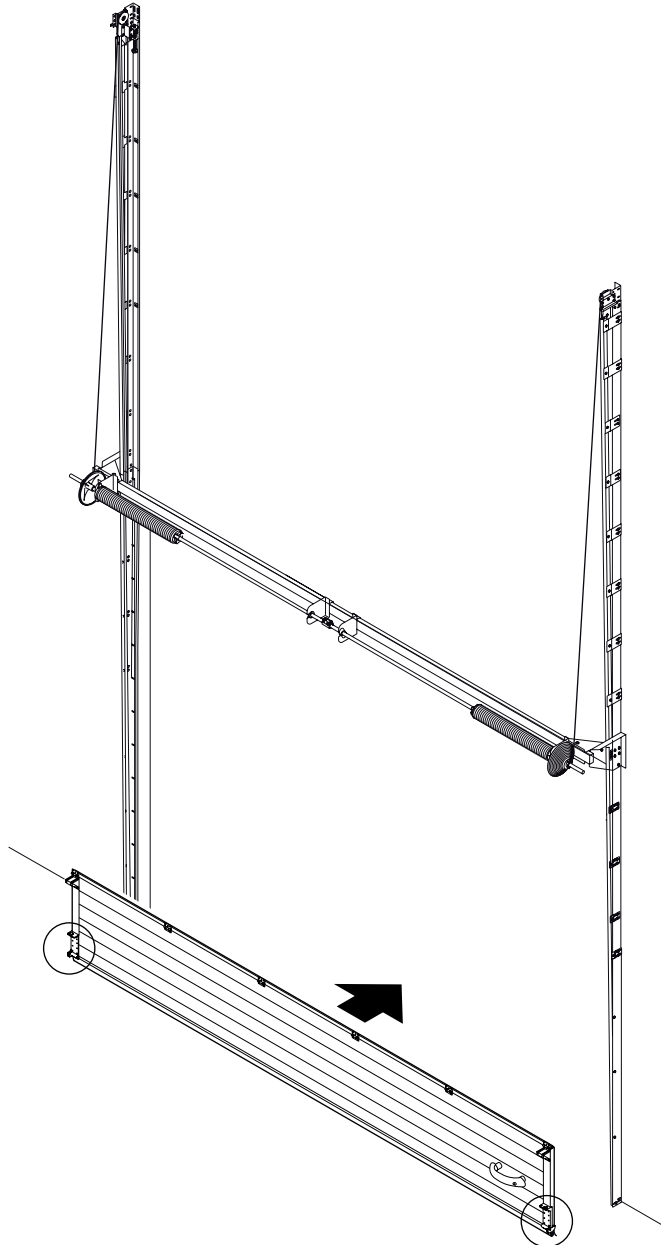
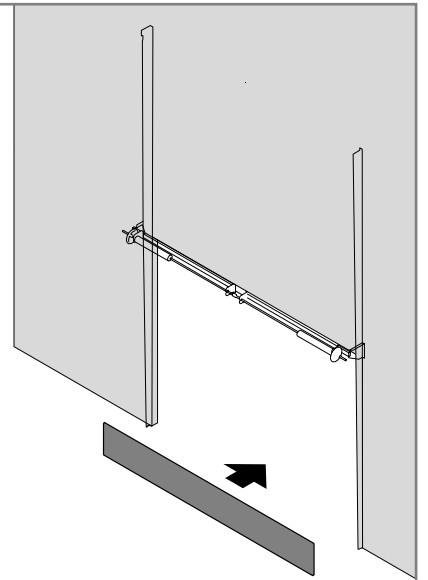
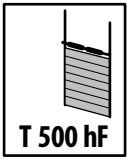






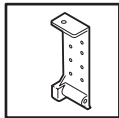




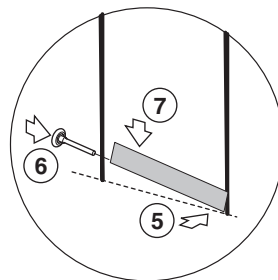
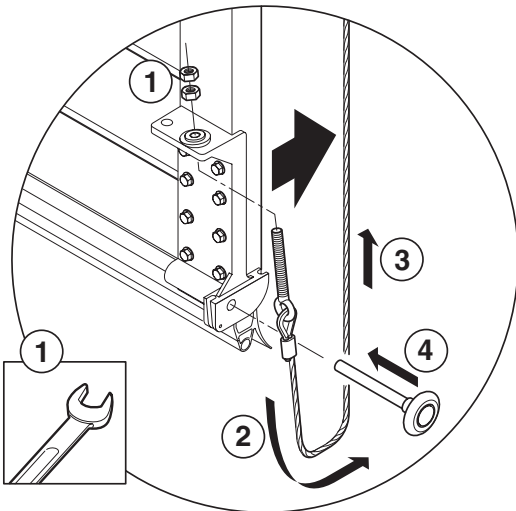




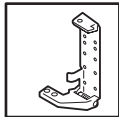
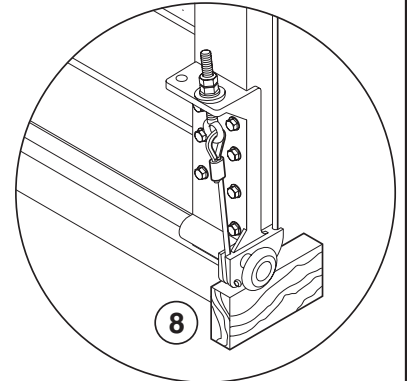
T 500 hF



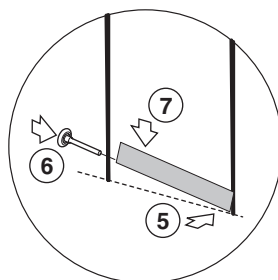
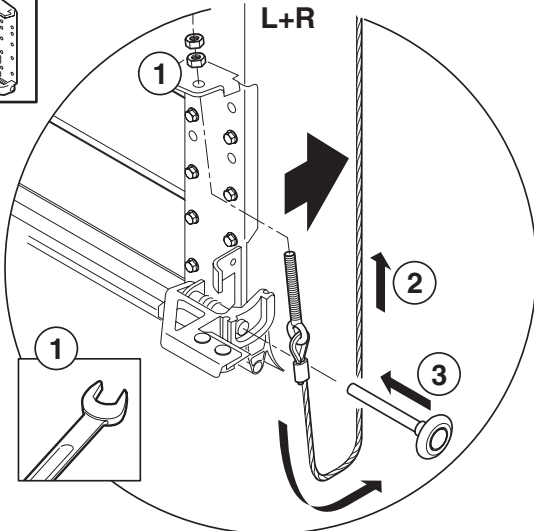
L+R



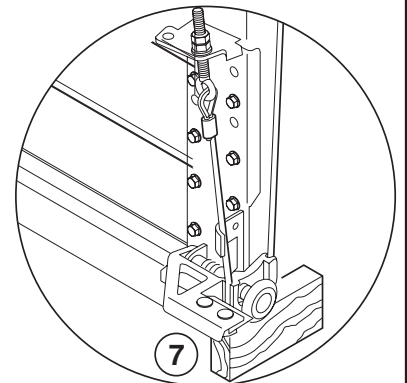
L+R

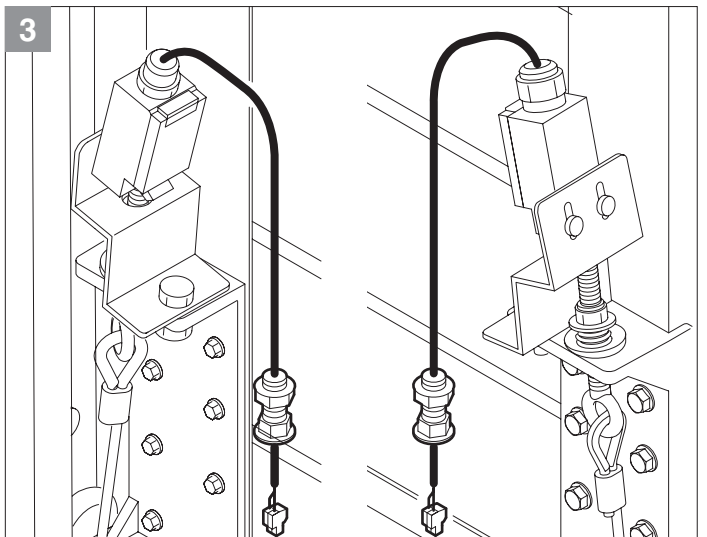
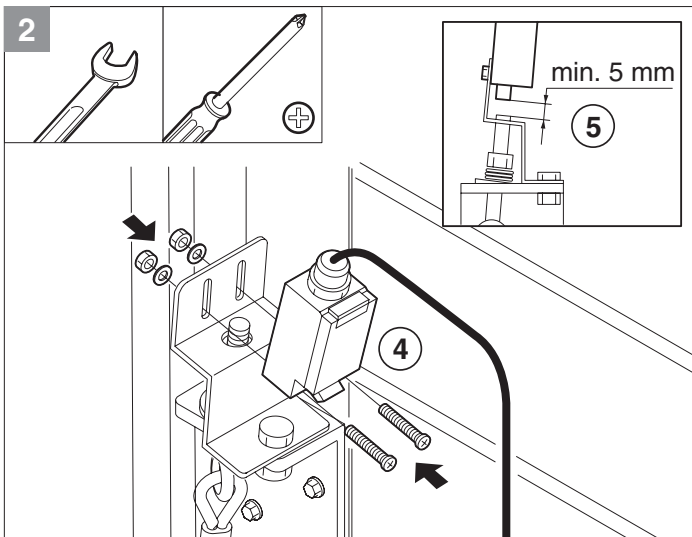
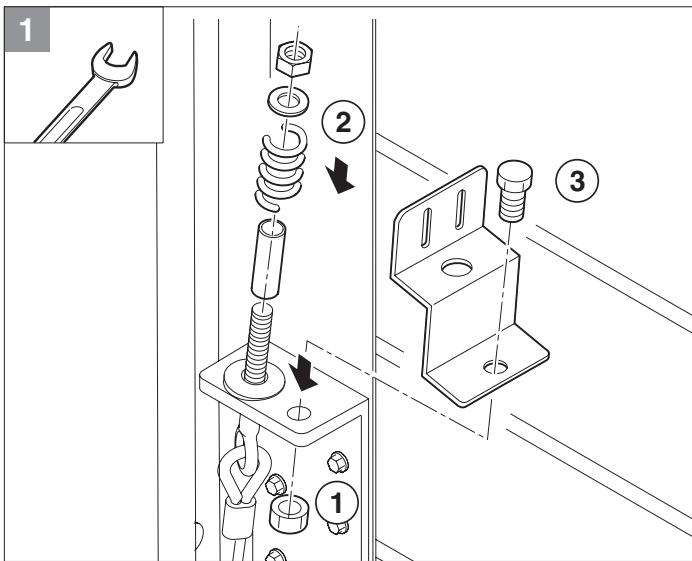
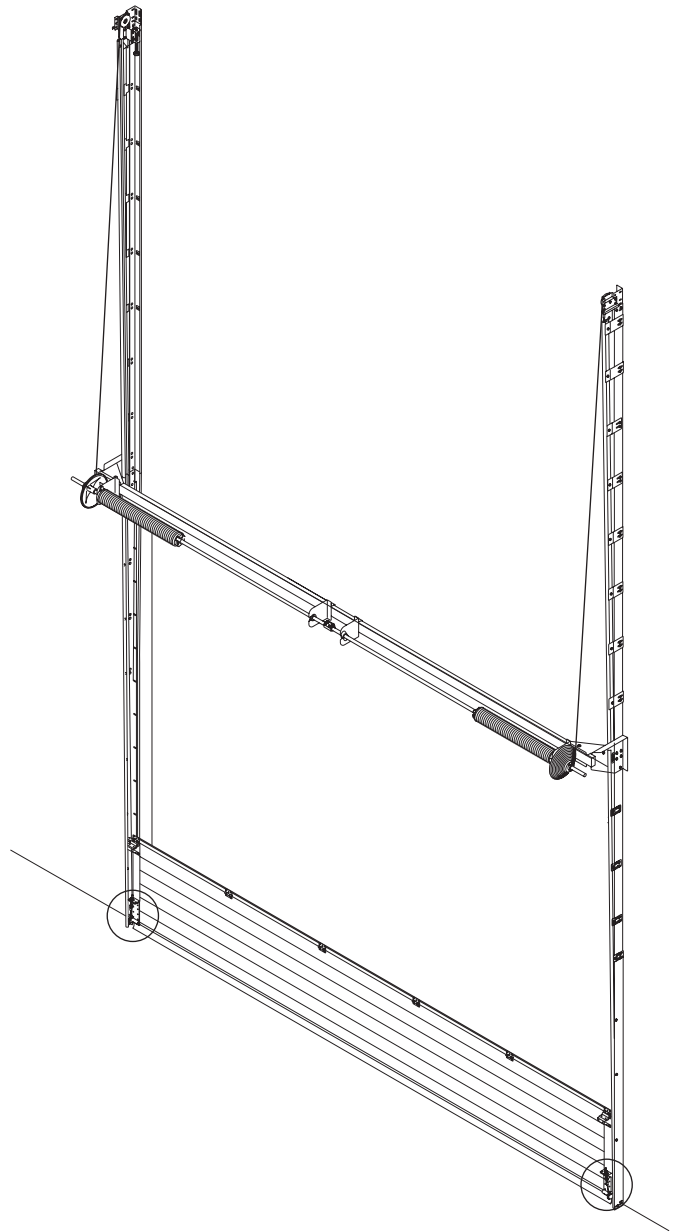
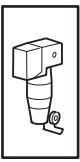


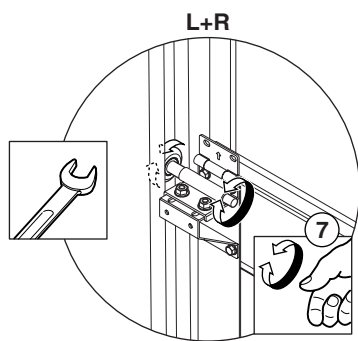
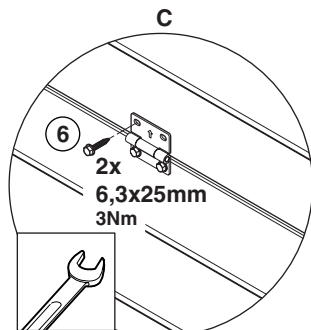
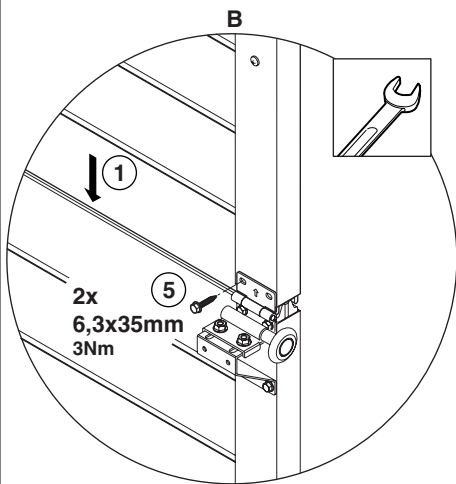
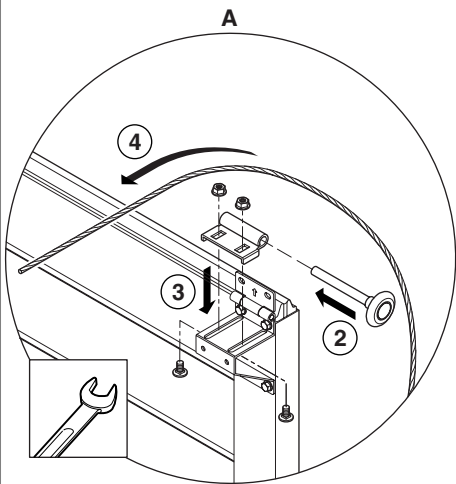
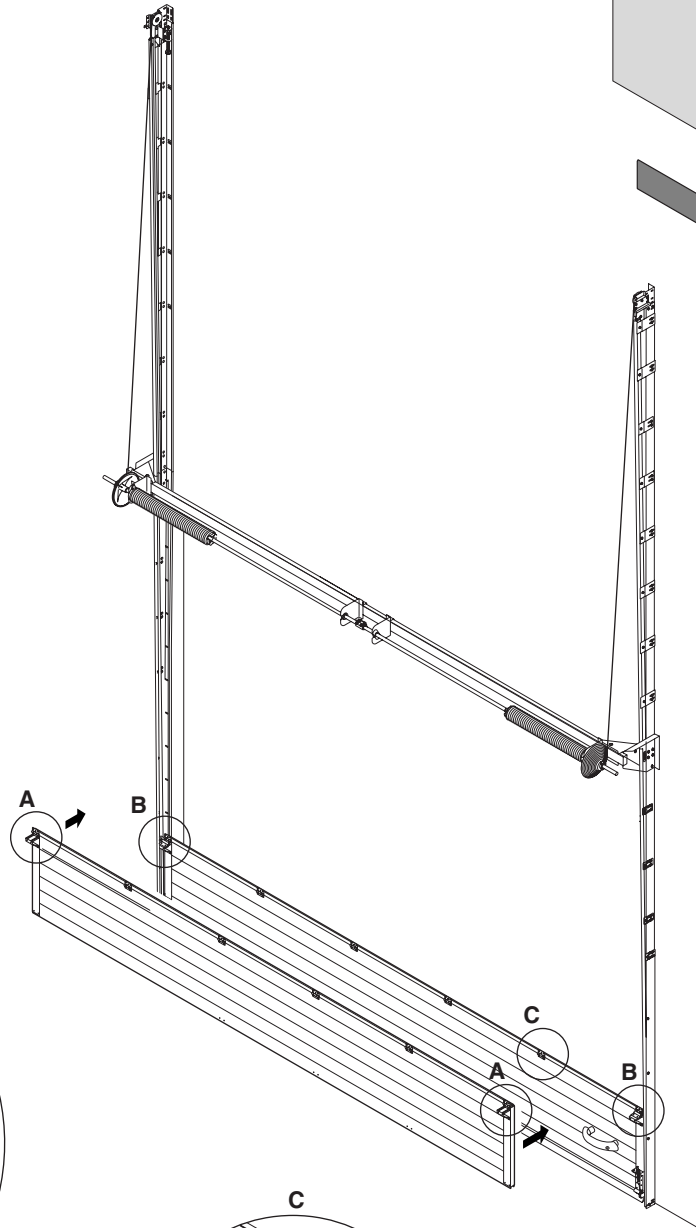
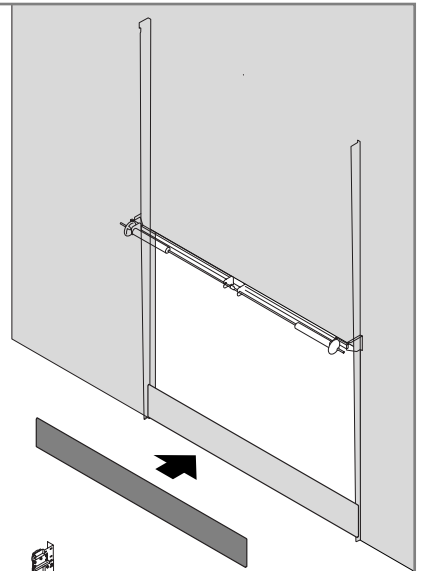
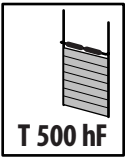
L+R

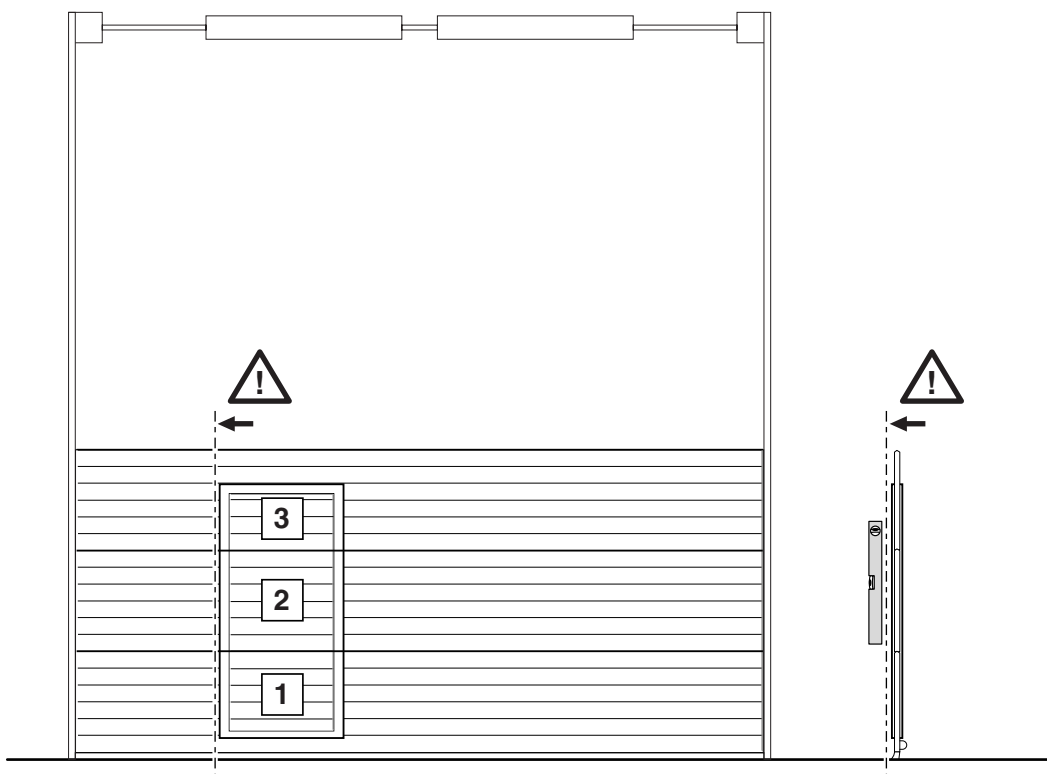
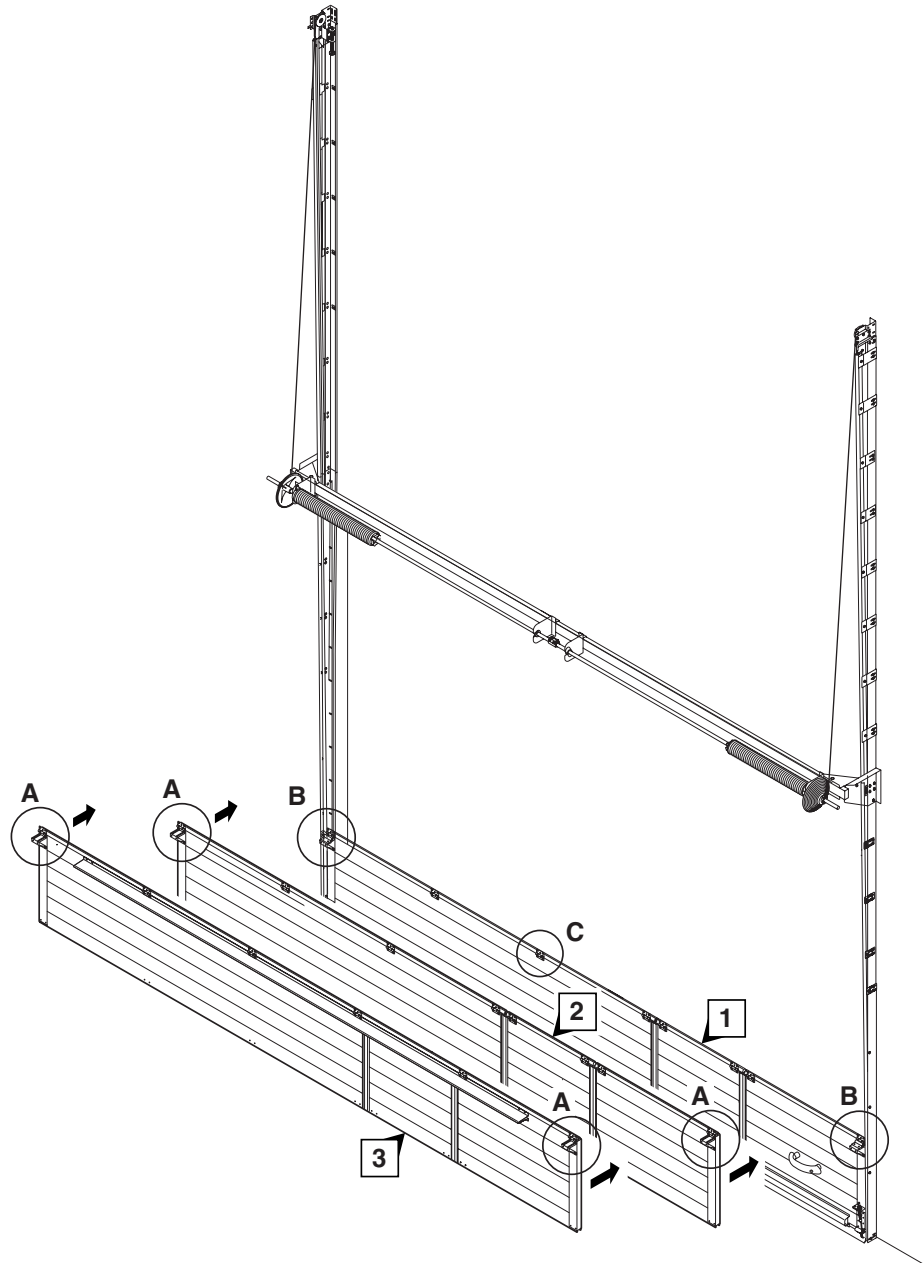
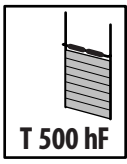


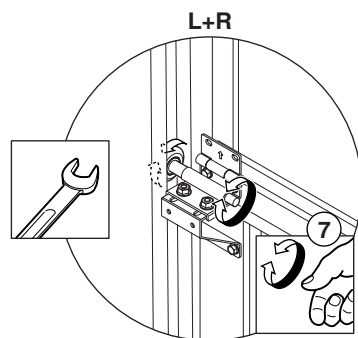
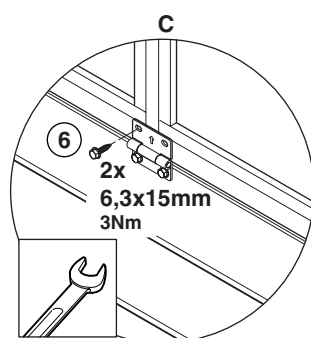
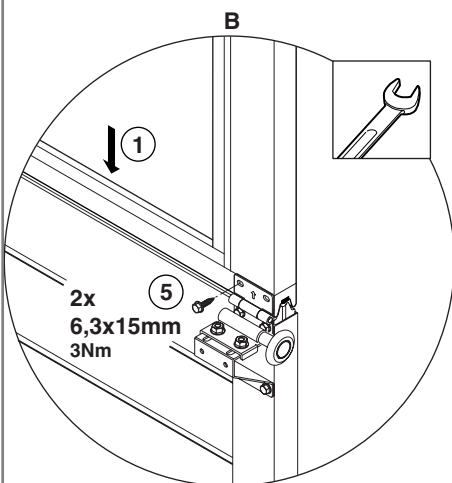
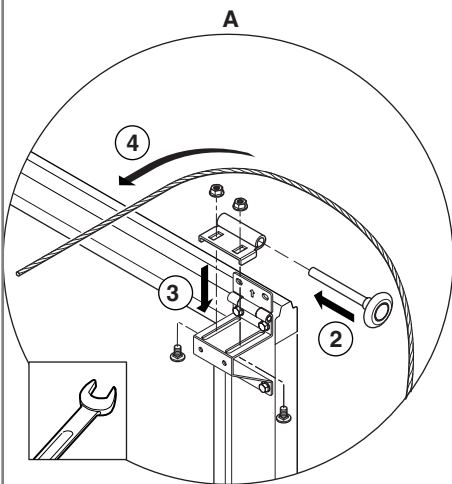
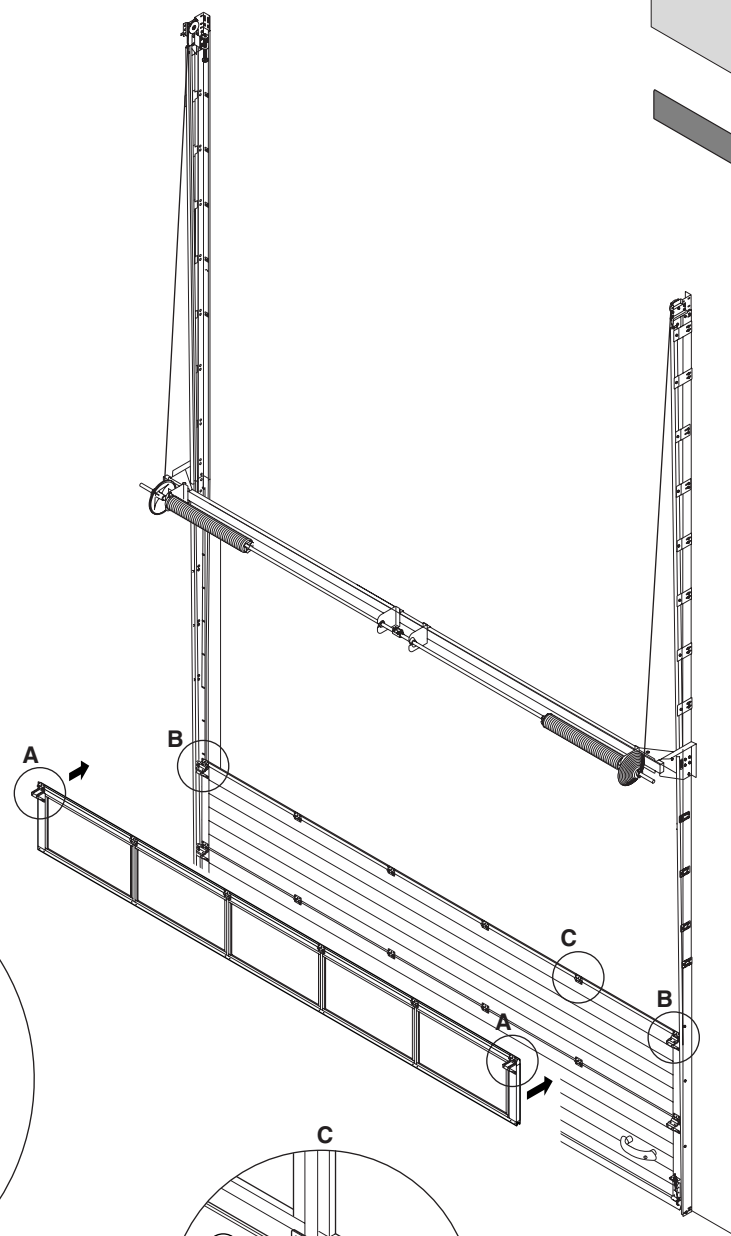
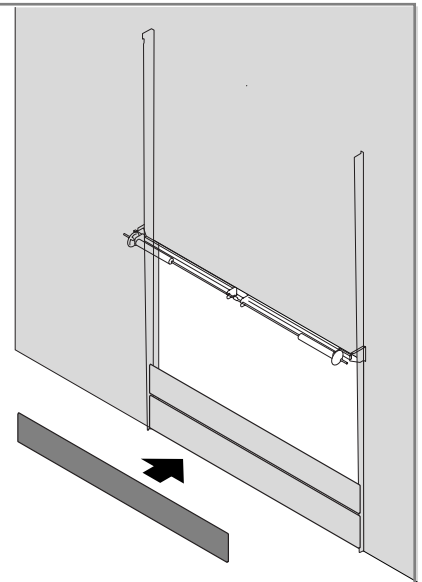
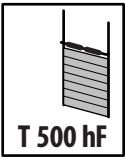
L+R

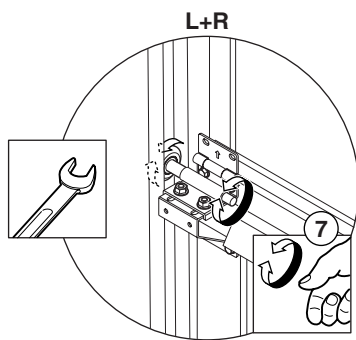
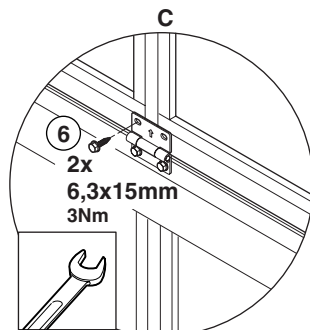
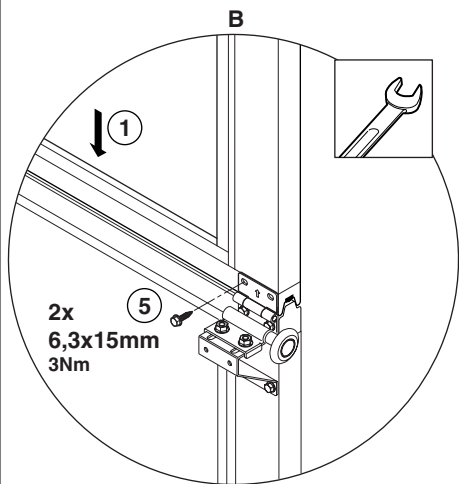
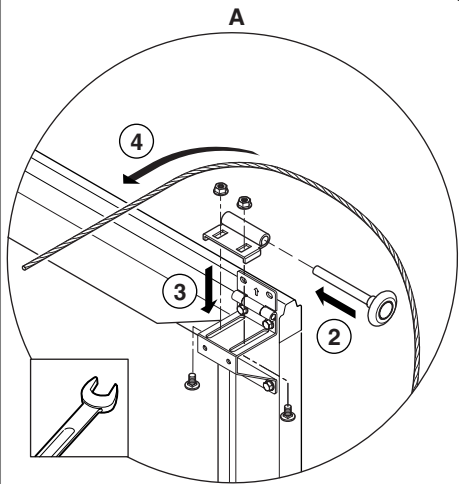
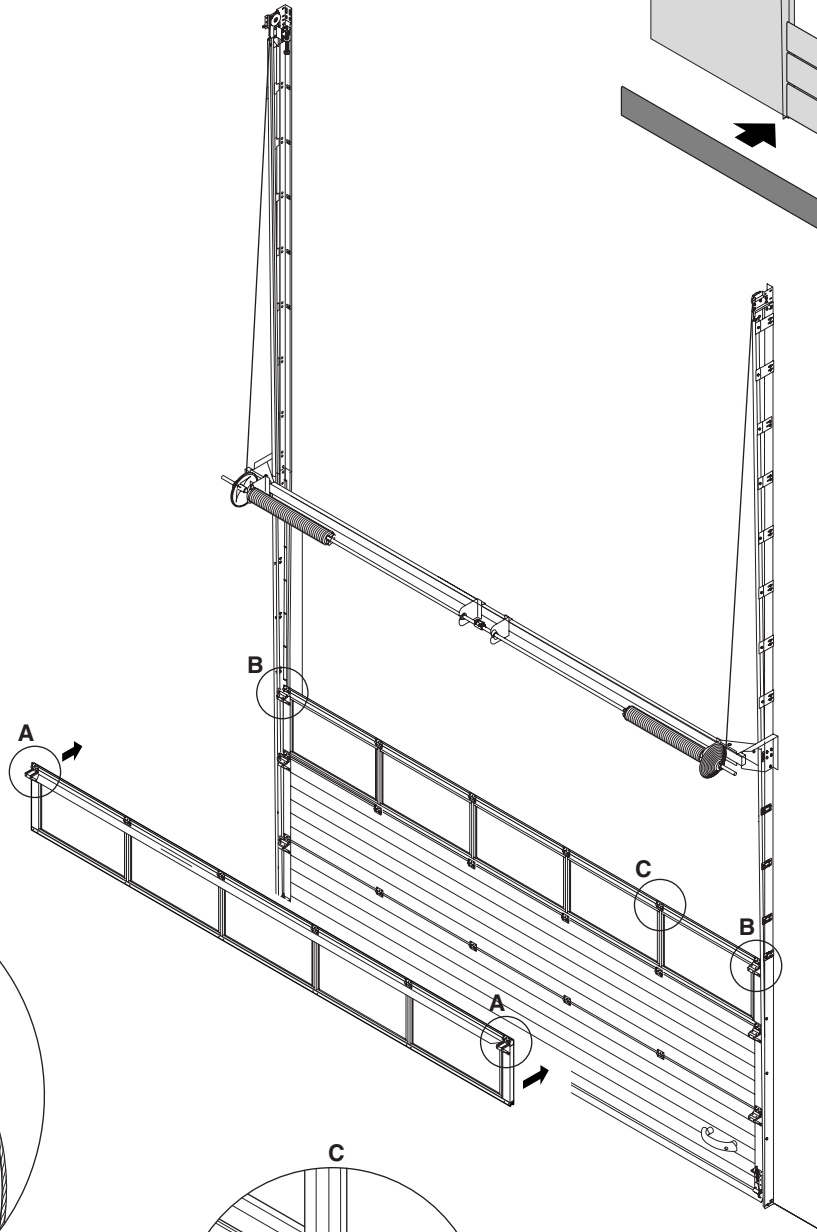
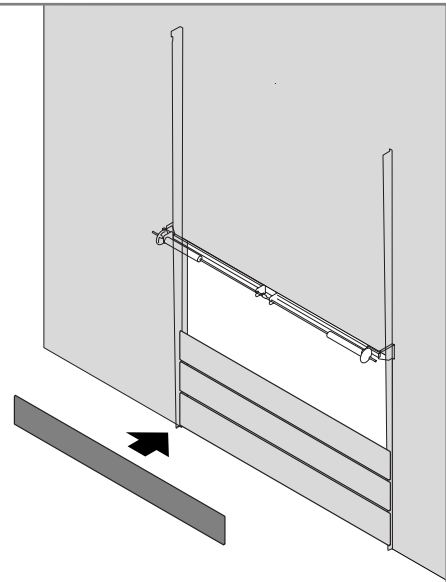
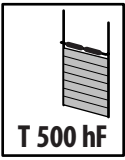


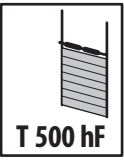




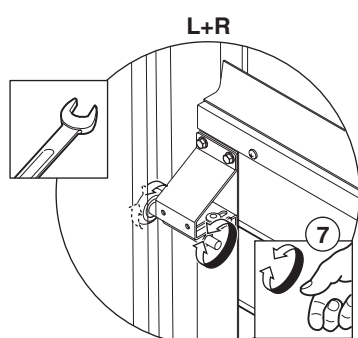
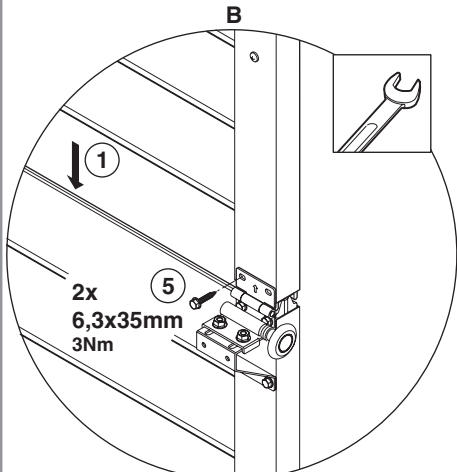
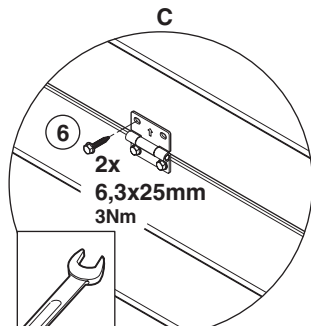
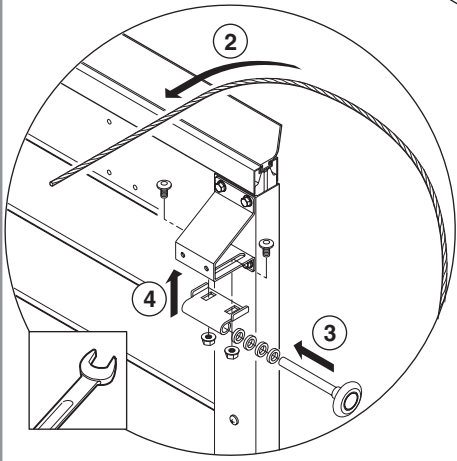
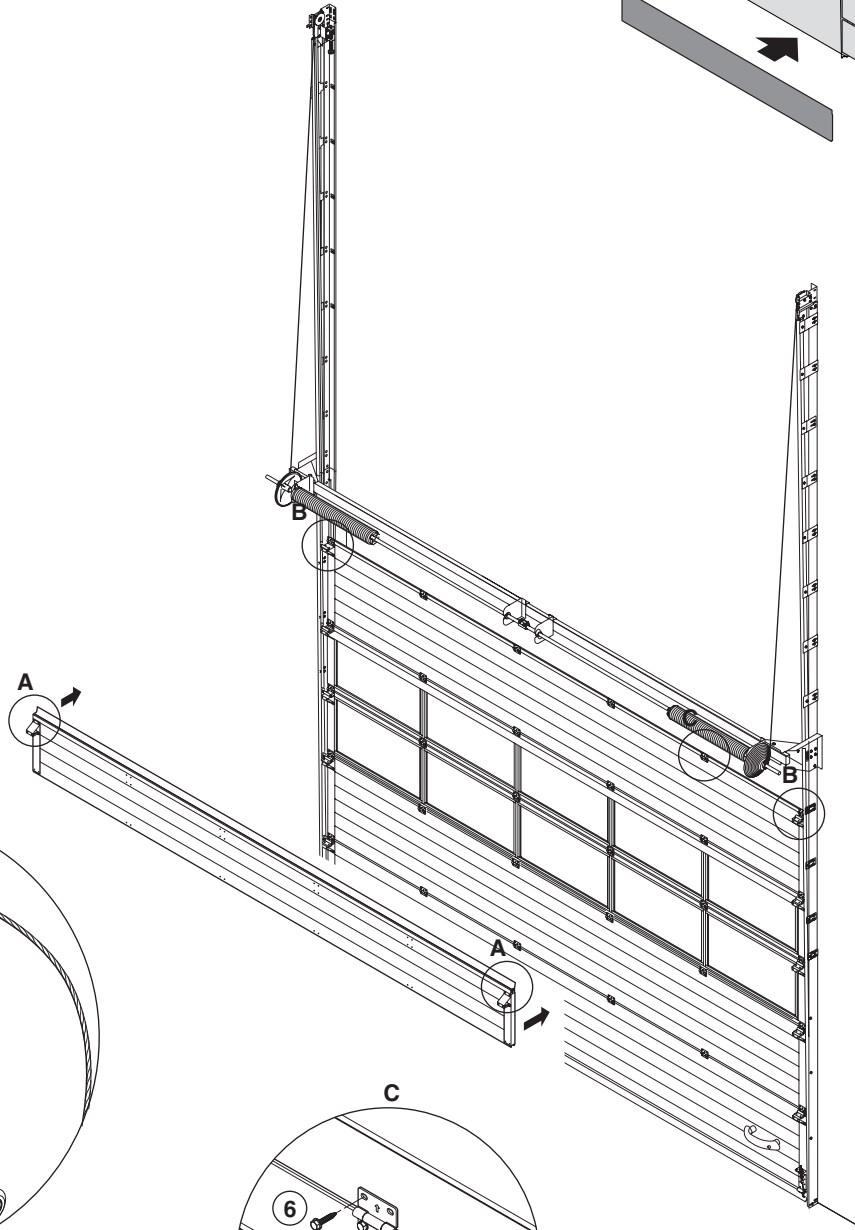
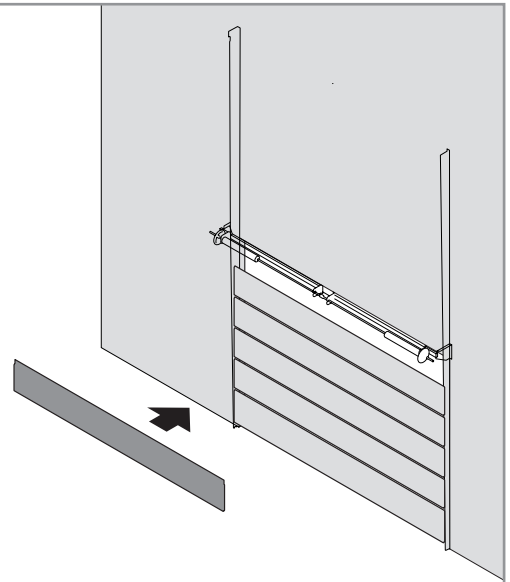


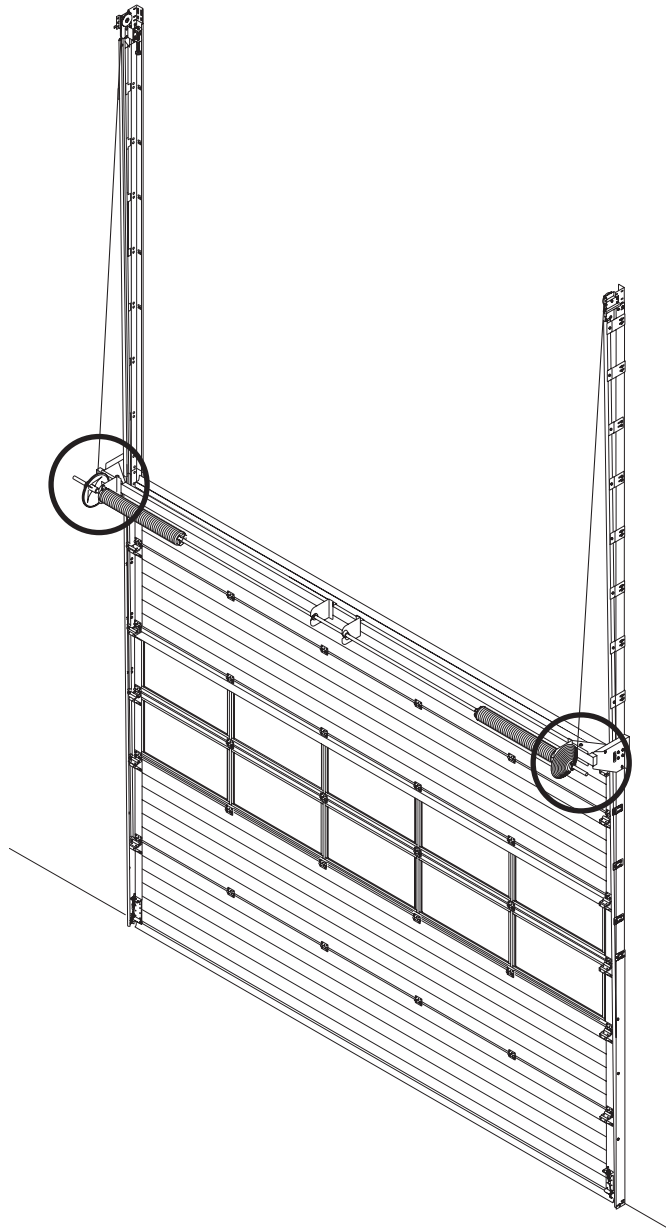
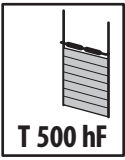


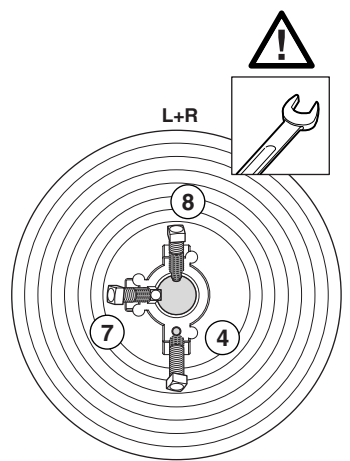
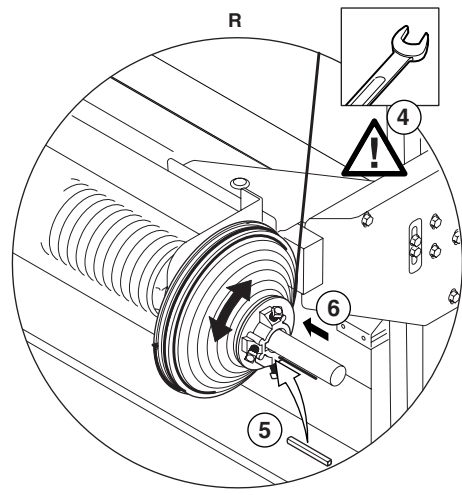
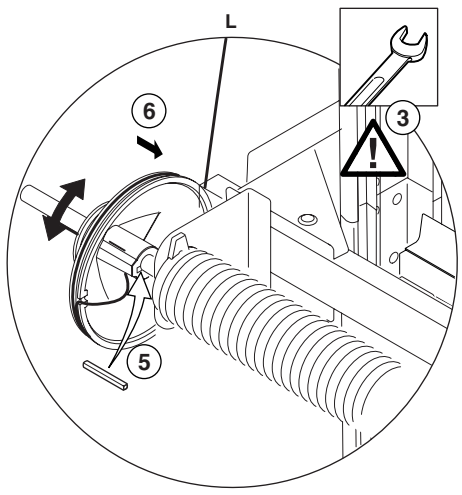
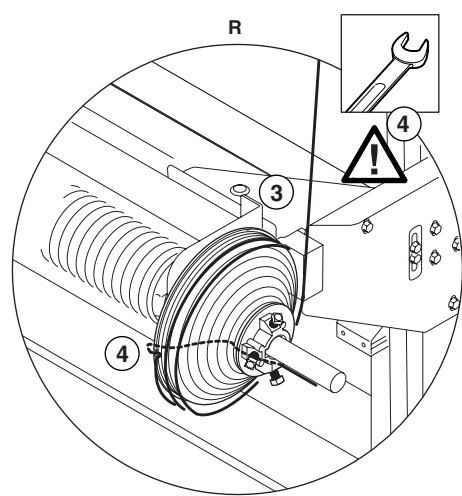
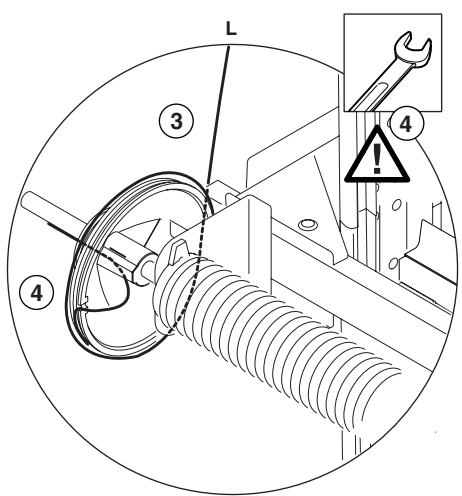
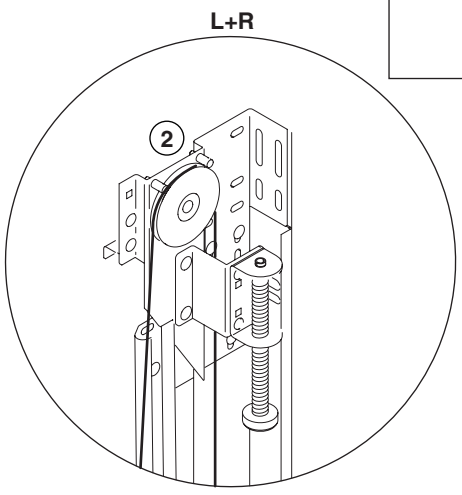
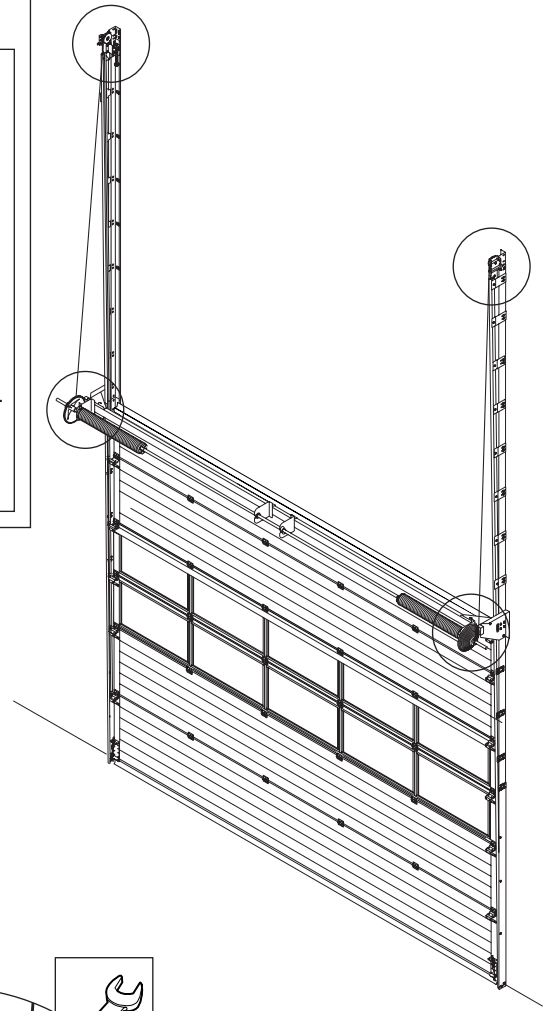
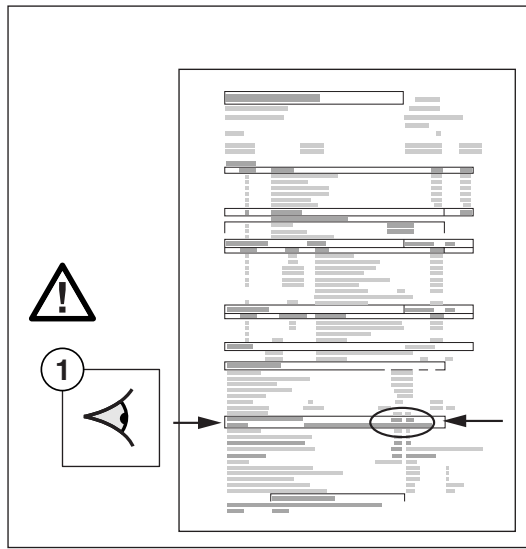


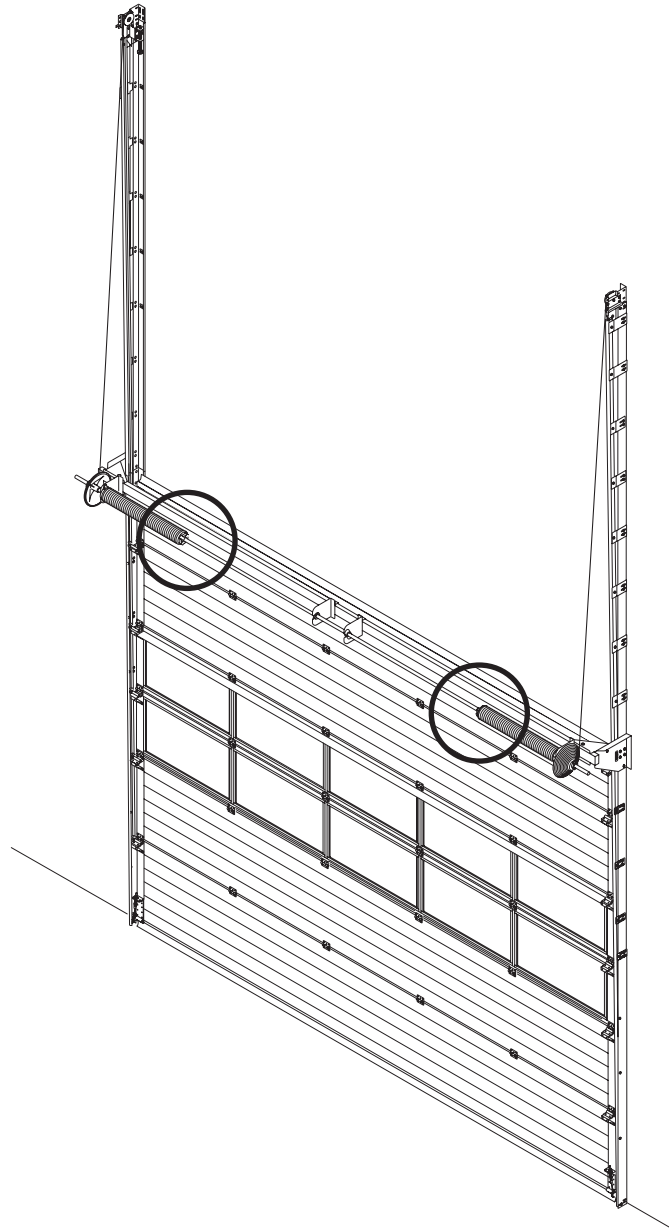
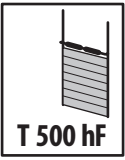


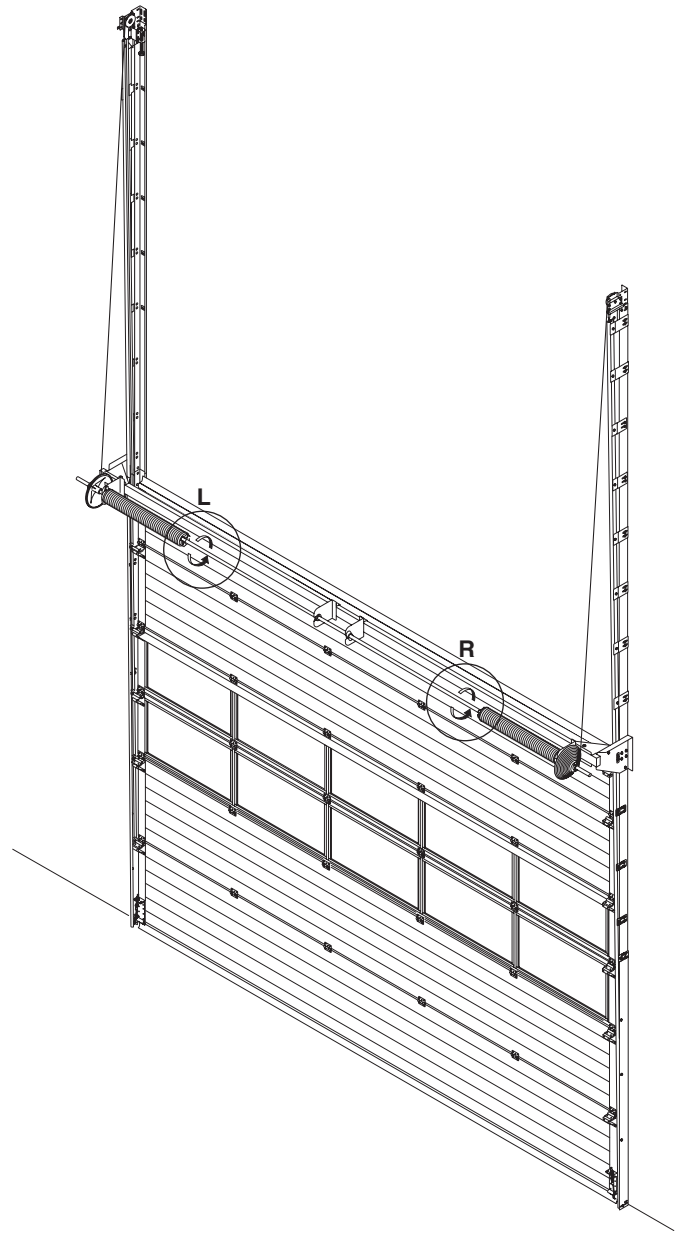
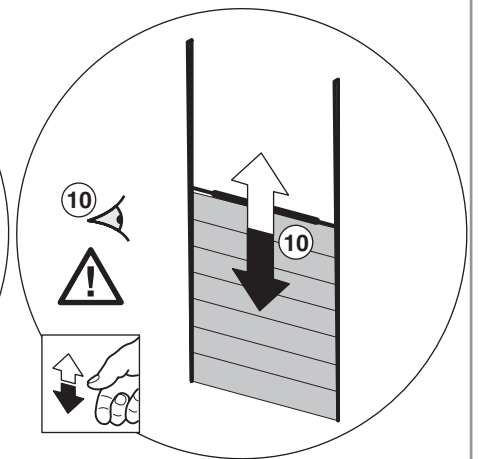
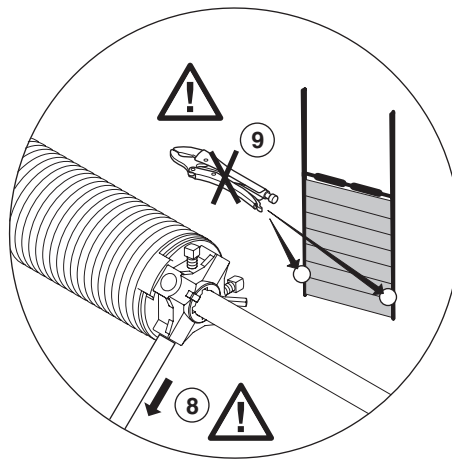
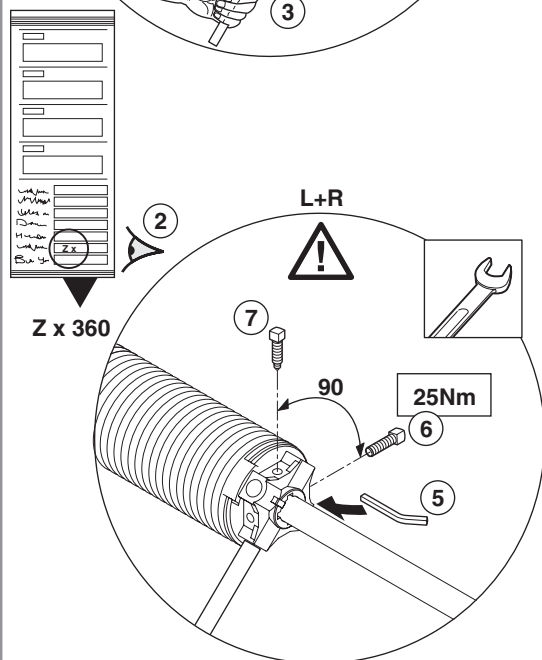
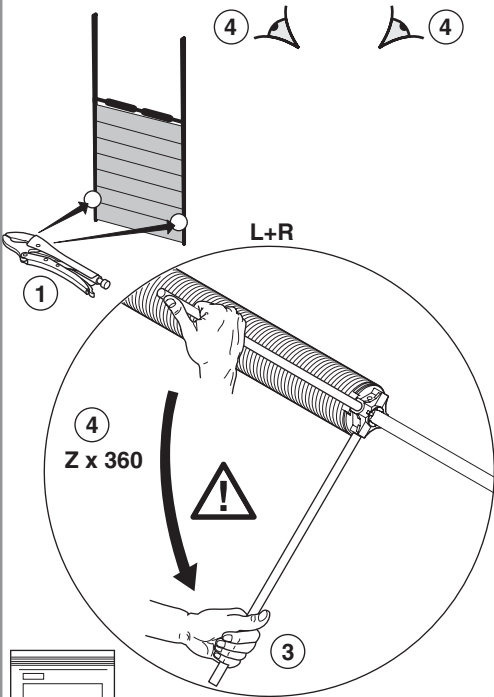
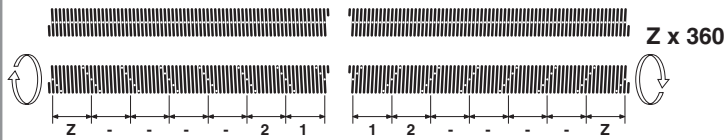
T 500 hF

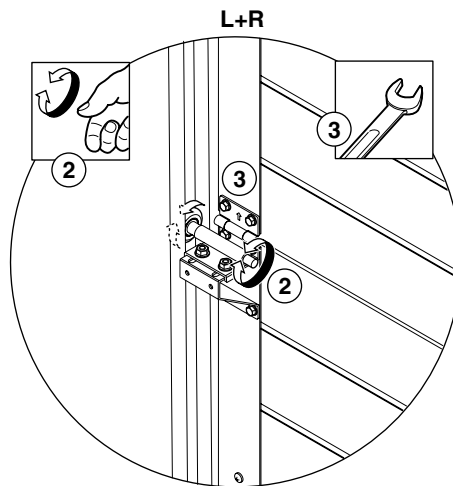
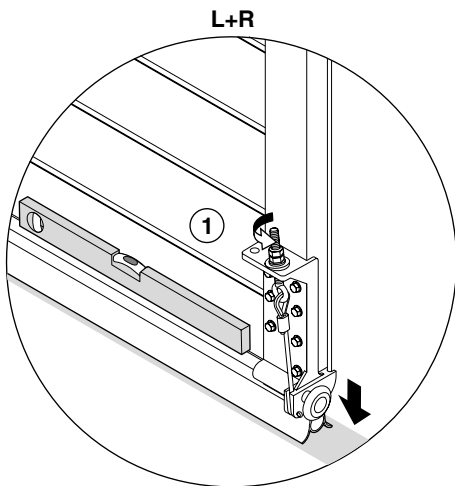
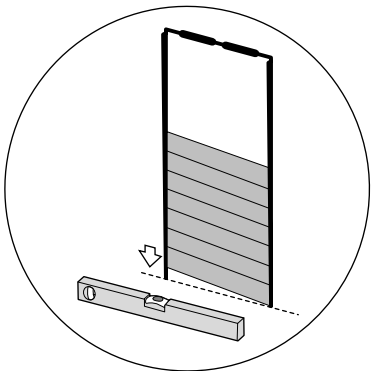
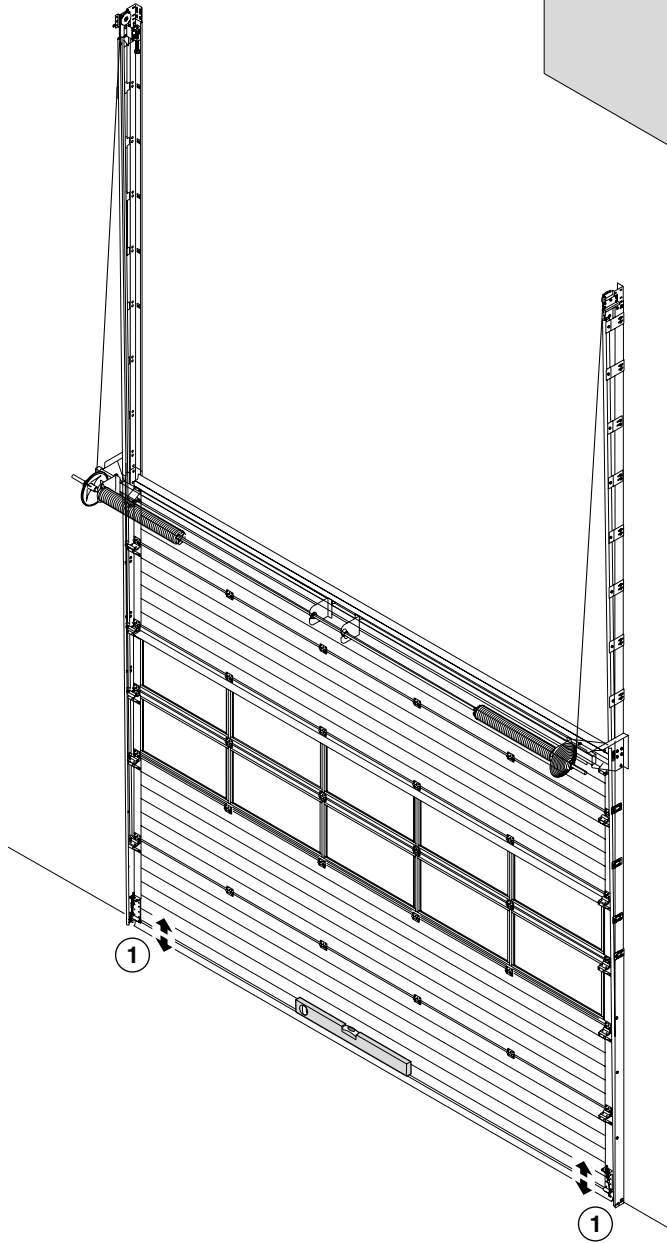
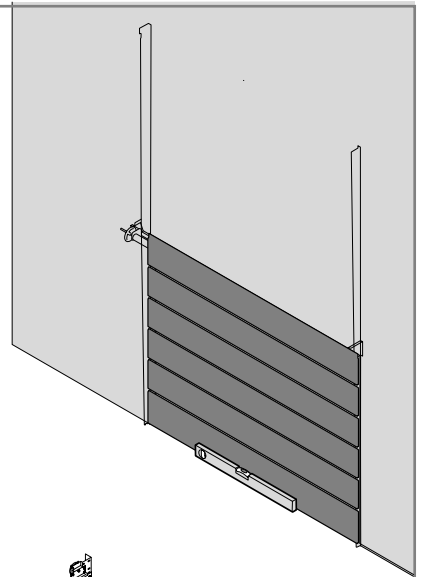
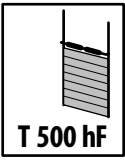


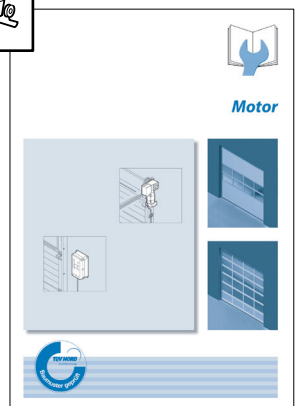
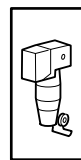
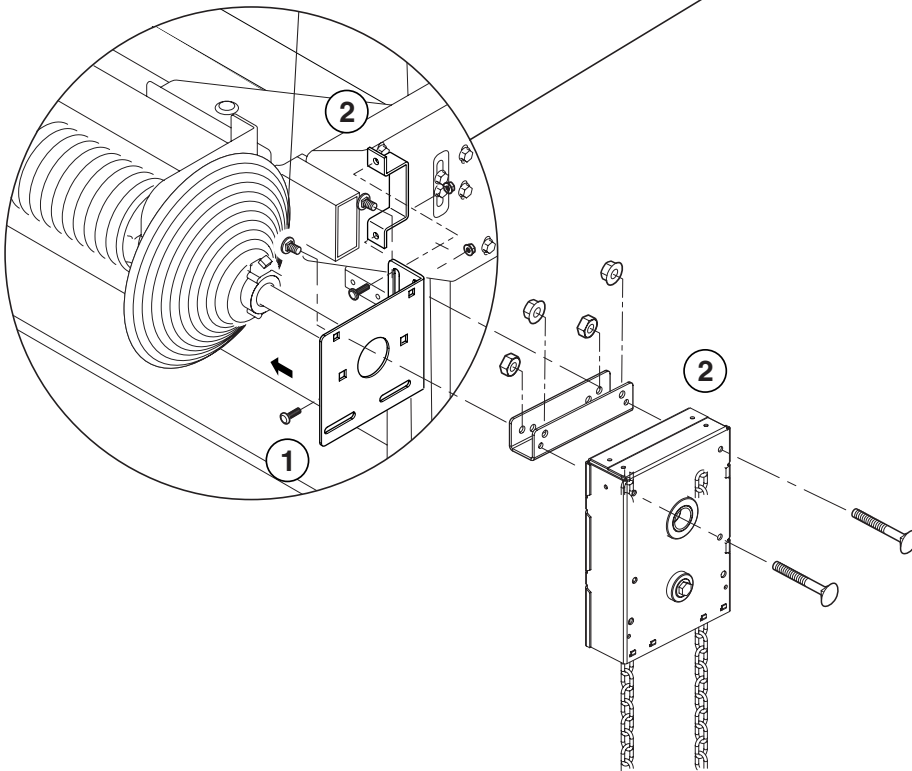
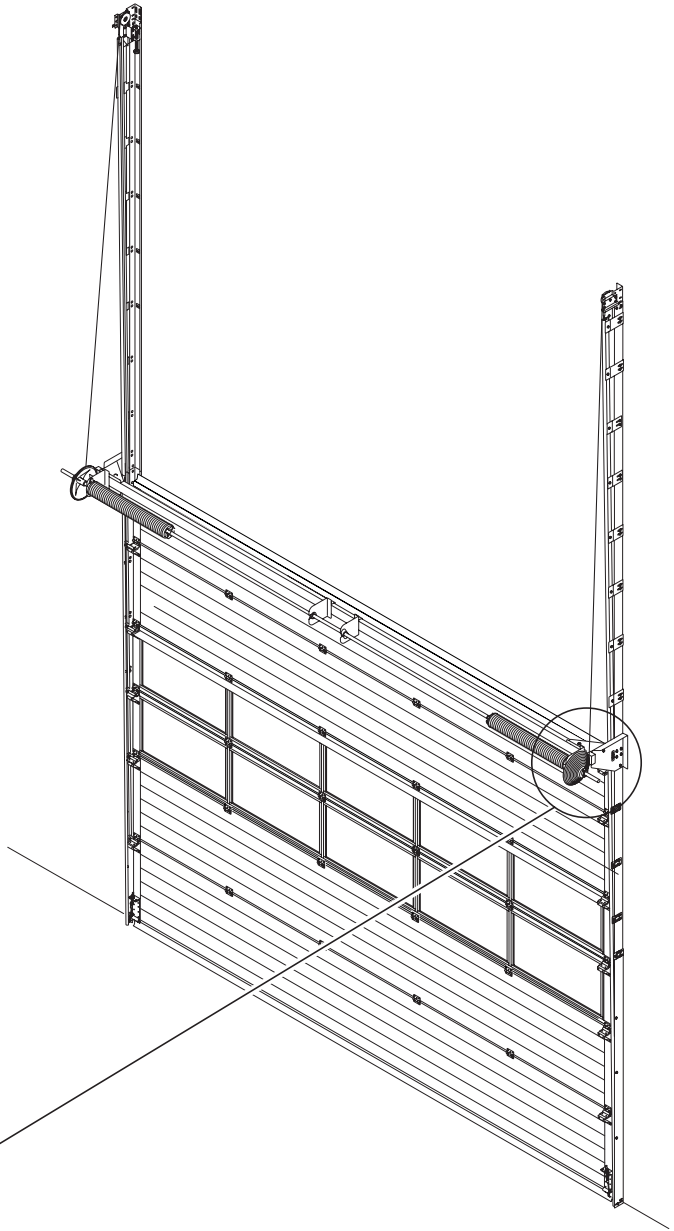
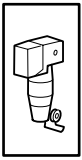
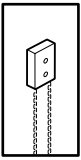
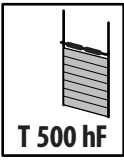


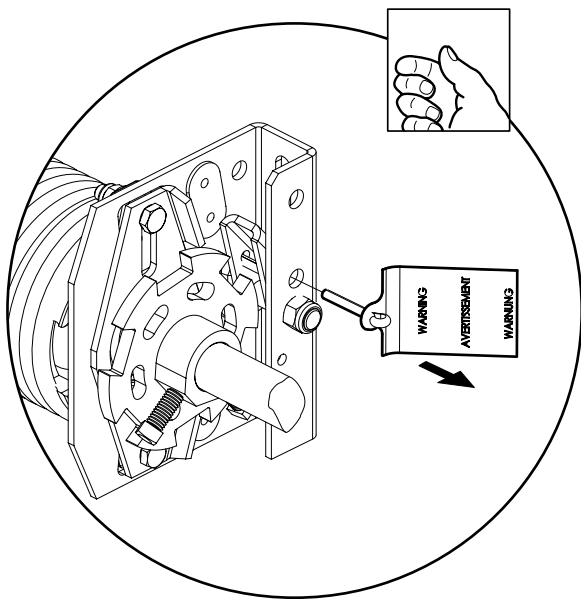
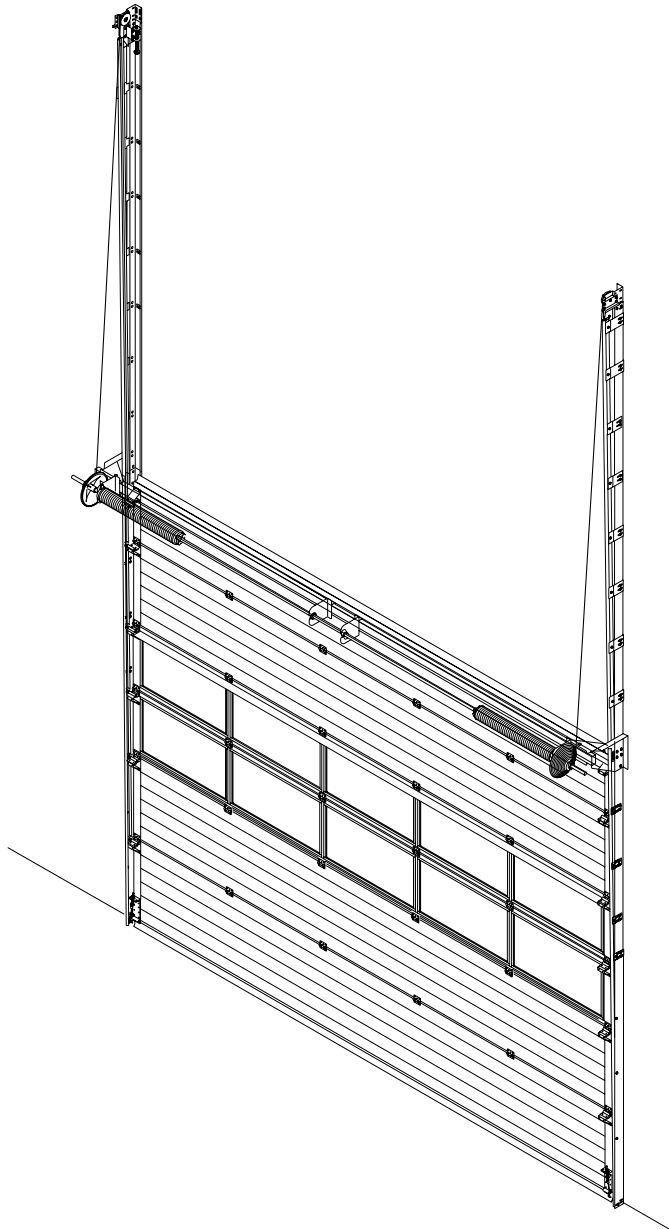
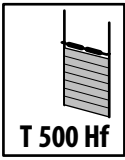












© Copyright Alpha deuren International b.v.

This manual was prepared and issued by Alpha deuren International B.V. Netherlands. It is supplied to approved agents of Alpha deuren International B.V. All rights are reserved. The information in this document is the property of Alpha deuren International B.V., the Netherlands. Disclosure of this information or any part of it to third parties is prohibited, except with prior and express written permission of Alpha deuren International B.V., the Netherlands.

